

# PRODUCT INFORMATION PACKET

Model No: 048S17T366  
Catalog No: X910  
1/4,17/11,TENV,48,1/60/115  
Single Phase



Regal and Marathon are trademarks of Regal Beloit Corporation or one of its affiliated companies.  
©2019 Regal Beloit Corporation, All Rights Reserved. MC017097E





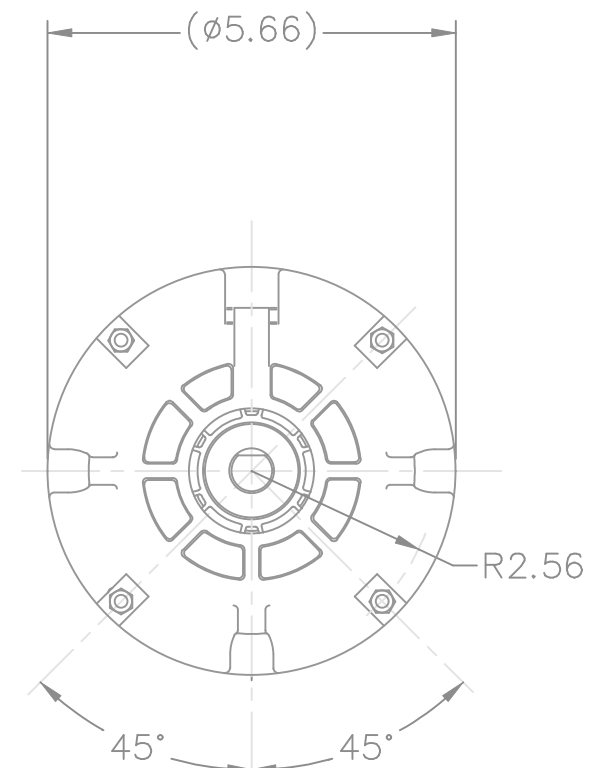
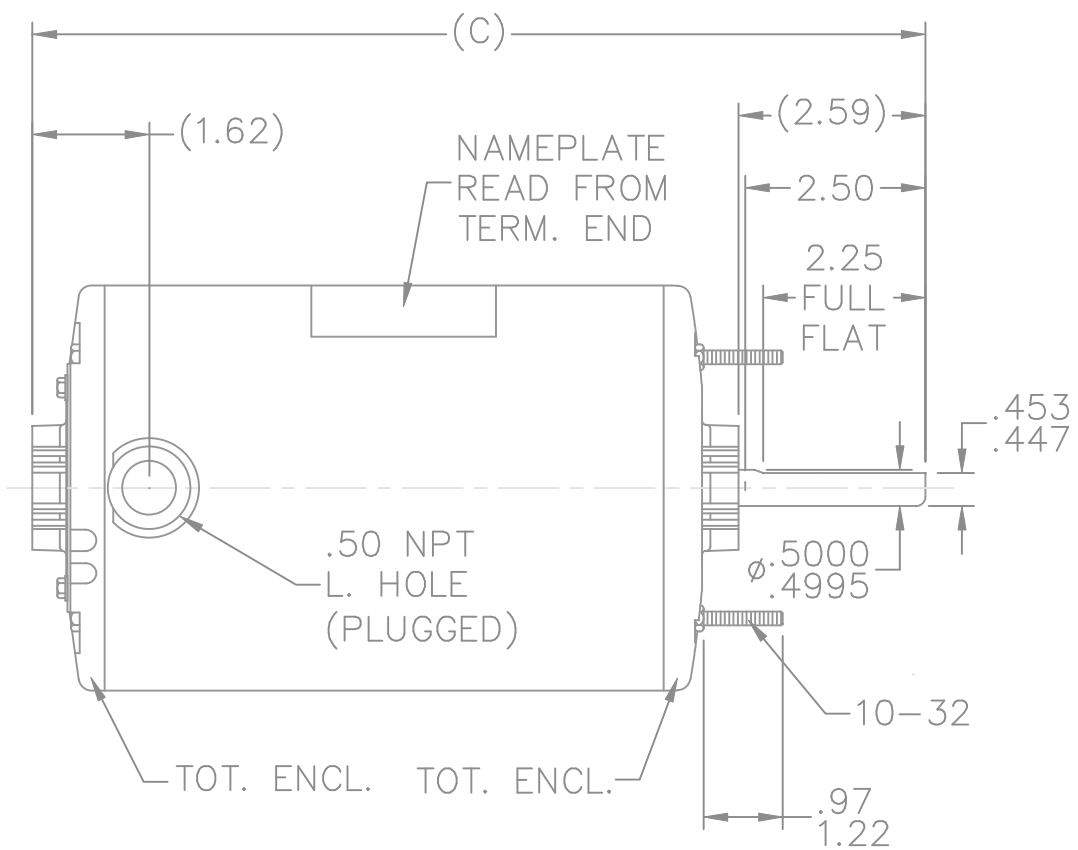
### Nameplate Specifications

Output HP	<b>0.25,0.08 Hp</b>	Output KW	<b>0.19 kW</b>
Frequency	<b>60 Hz</b>	Voltage	<b>115 V</b>
Current	<b>3.95,2.25 A</b>	Speed	<b>1725,1140 rpm</b>
Service Factor	<b>1</b>	Phase	<b>1</b>
Efficiency	<b>62 %</b>	Duty	<b>Continuous</b>
Insulation Class	<b>B</b>	Design Code	<b>2VT</b>
KVA Code	<b>R</b>	Frame	<b>48</b>
Enclosure	<b>Totally Enclosed Air Over</b>	Overload Protector	<b>Automatic Lock Rotor Only</b>
Ambient Temperature	<b>40 °C</b>	Drive End Bearing Size	<b>6203</b>
Opp Drive End Bearing Size	<b>6203</b>	UL	<b>Recognized</b>
CSA	<b>Y</b>	CE	<b>N</b>
IP Code	<b>43</b>		

### Technical Specifications

Electrical Type	<b>Split Phase</b>	Starting Method	<b>Across The Line</b>
Poles	<b>4//6</b>	Rotation	<b>Selective Counterclockwise</b>
Mounting	<b>Round - Extended Studs</b>	Motor Orientation	<b>Horizontal</b>
Drive End Bearing	<b>Ball</b>	Opp Drive End Bearing	<b>Ball</b>
Frame Material	<b>Rolled Steel</b>	Shaft Type	<b>NEMA 48</b>
Overall Length	<b>11.09 in</b>	Frame Length	<b>6.50 in</b>
Shaft Diameter	<b>0.500 in</b>	Shaft Extension	<b>2.59 in</b>
Assembly/Box Mounting	<b>F1 Only</b>		
Outline Drawing	<b>A-SS75127-650</b>	Connection Diagram	<b>A-EE9005B</b>

This is an uncontrolled document once printed or downloaded and is subject to change without notice. Date Created: 02/12/2019

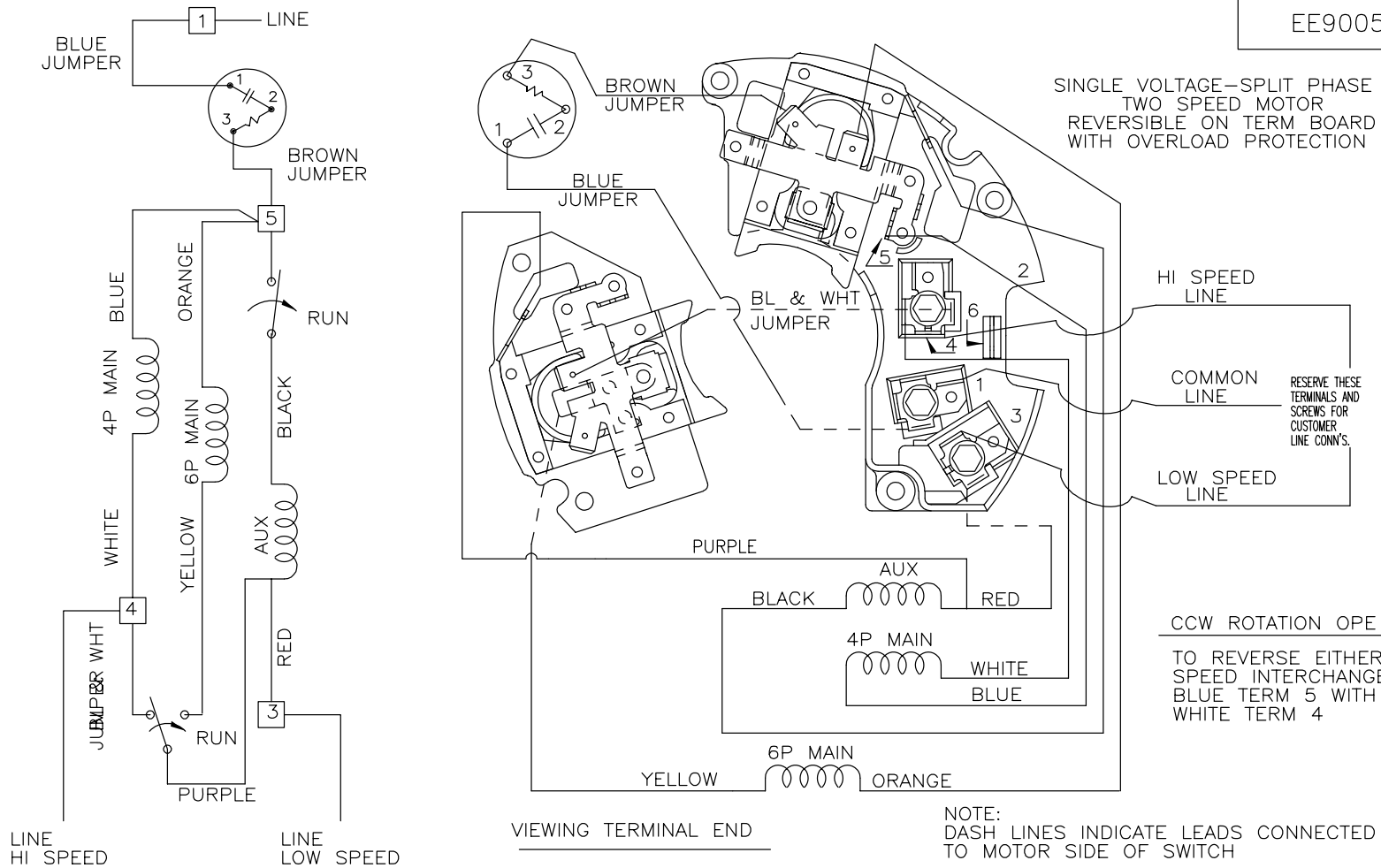


TERM END

DASH	FR.	C	DASH	FR.	C
575	48	10.34	675	48	11.34
625	48	10.84			
650	48	11.09			

NO.	REVISION	BY & DATE	CHK	TOLERANCES UNLESS SPECIFIED		MARATHON ELECTRIC	DRAWN RM 03-04-1991			
				DEC.	INCHES			CHK ML 03-05-1991		
				.X	±.1	TITLE OUTLINE	APPD RJS 03-08-1991			
3	UPDATED DRAWING	TJW 04/16/2007		.XX	±.03		SCALE 3=8			
2	REDRAWN IN AUTOCAD	TAT 05-09-2005	ML	.XXX	±.005	REF				
1	NEW DRAWING 3783642	RM 03-04-1991		.XXXX	±.0005	MAT'L.	FMF			
				ANG	±7'30"	FINISH	PREV			
THIS DRAWING IN DESIGN AND DETAIL IS OUR PROPERTY AND MUST NOT BE USED EXCEPT IN CONNECTION WITH OUR WORK ALL RIGHTS OF DESIGN AND INVENTION ARE RESERVED THIS IS AN ELECTRONICALLY GENERATED DOCUMENT - DO NOT SCALE THIS PRINT				RFP	CAD FILE ss75127		SIZE A	DRAWING NO. SS75127	PAGE OF	REV. 3
				DIST WP						

EE9005B



NO.	REVISION	BY & DATE	CHK	ANG	TOLERANCES UNLESS SPECIFIED		MARATHON ELECTRIC	DRAWN RM 12-03-1990	
					DEC.	INCHES			
3	UPDATED PER ECR-0036111	UD 12-19-13	BV	.XX	±.03			CHK ML 12-03-1990	
2	RE-ISSUED CN 6381	RM 12-03-90		.XXX	±.005		TITLE CONNECTION DIAGRAM 48 FR. TWO SPEED	APPD GK 12-03-1990	
1	NEW DRAWING	RM 11-20-90		.XXXX	±.0005		SCALE 3=8	REF	
					±1/2'		MAT'L.	FMF	
							FINISH	PREV	
THIS DRAWING IN DESIGN AND DETAIL IS OUR PROPERTY AND MUST NOT BE USED EXCEPT IN CONNECTION WITH OUR WORK ALL RIGHTS OF DESIGN AND INVENTION ARE RESERVED THIS IS AN ELECTRONICALLY GENERATED DOCUMENT - DO NOT SCALE THIS PRINT				RFP	CAD FILE	EE9005B	SIZE A	DRAWING NO. EE9005B	REV. 03
				DIST					

CERTIFICATION DATA SHEET

Model#: 48S17T366 F WINDING#: SE48(4-6)8 NONE 1
CONN. DIAGRAM: A-EE9005B ASSEMBLY: F1 ONLY
OUTLINE: A-SS75127-650

TYPICAL MOTOR PERFORMANCE DATA

Table with 8 columns: HP, KW, SYNC. RPM, F.L. RPM, FRAME, ENCLOSURE, KVA CODE, DESIGN. Values: 1/4&1/12, 0.19&0.06, 1200, 1725&1140, 48, TEAO, R, 2VT

Table with 10 columns: PH, Hz, VOLTS, FL AMPS, START TYPE, DUTY, INSL, S.F, AMB°C, ELEVATION. Values: 1, 60/60, 115, 3.7&2.25, ACROSS THE LINE, CONTINUOUS, B3, 1.0/1.0, 40, 3300

Table with 6 columns: FULL LOAD EFF: 62.0, 3/4 LOAD EFF: -, 1/2 LOAD EFF: -, GTD. EFF, ELEC. TYPE, NO LOAD AMPS. Values: 62.0, -, -, 0, SPLIT PHASE, 2.2

Table with 5 columns: F.L. TORQUE, LOCKED ROTOR AMPS, L.R. TORQUE, B.D. TORQUE, F.L. RISE°C. Values: 6.1 LB-FT, 30.1, 14.9 LB-FT -, 26.6 LB-FT -, -

Table with 6 columns: SOUND PRESSURE @ 3 FT., SOUND POWER, ROTOR WK^2, MAX. WK^2, SAFE STALL TIME, STARTS / HOUR, APPROX. MOTOR WGT. Values: - dBA, - dBA, 0 LB-FT^2, - LB-FT^2, - SEC., -, 0 LBS.

\*\*\* SUPPLEMENTAL INFORMATION \*\*\*

Table with 9 columns: DE BRACKET TYPE, ODE BRACKET TYPE, MOUNT TYPE, ORIENTATION, SEVERE DUTY, HAZARDOUS LOCATION, DRIP COVER, SCREENS, PAINT. Values: STANDARD, STANDARD, ROUND-EXTENDED STUDS, HORIZONTAL, FALSE, NONE, FALSE, NONE, GRAY (POWDER)

Table with 8 columns: BEARINGS (DE, OPE), GREASE, SHAFT TYPE, SPECIAL DE, SPECIAL ODE, SHAFT MATERIAL, FRAME MATERIAL. Values: BALL, BALL, MULTEMP SRL, STANDARD 48, NONE, NONE, 1144 STRESSPROOF (C-223), ROLLED STEEL

Table with 7 columns: THERMO-PROTECTORS (THERMOSTATS, PROTECTORS, WDG RTDs, BRG RTDs), THERMISTORS, CONTROL, SPACE /n HEATERS. Values: NONE, AUT LCK RTR ONLY, NONE, NONE, NONE, FALSE, NONE VOLTS

If Inverter equals NONE, contact factory for further information

\*
N
O
T
E
S
\*

Table with 2 columns: INVERTER TORQUE: NONE, INV. HP SPEED RANGE: NONE, ENCODER: NONE, NONE NONE, NONE NONE PPR, BRAKE: NONE NONE, NONE P/N NONE, NONE NONE, NONE FT-LB NONE V NONE Hz