

PRODUCT INFORMATION PACKET

Model No: 5KH49PN3042X
Catalog No: H282
1/2-1/6,1725/1140,DP,56CZ,1/60/115
Single Phase



Regal and Marathon are trademarks of Regal Beloit Corporation or one of its affiliated companies.
©2018 Regal Beloit Corporation, All Rights Reserved. MC017097E



Nameplate Specifications

Output HP	1/2-1/6 Hp	Output KW	0.37 kW
Frequency	60 Hz	Voltage	115 V
Current	8.0,4.2 A	Speed	1725/1140 rpm
Service Factor	1.25	Phase	1
Efficiency	64 %	Duty	Continuous
Insulation Class	B	Design Code	-
KVA Code	M	Frame	56CZ
Enclosure	Drip Proof	Overload Protector	AUTO
Ambient Temperature	40 °C	Drive End Bearing Size	6203
Opp Drive End Bearing Size	6203	UL	Recognized
CSA	Yes	CE	N

Technical Specifications

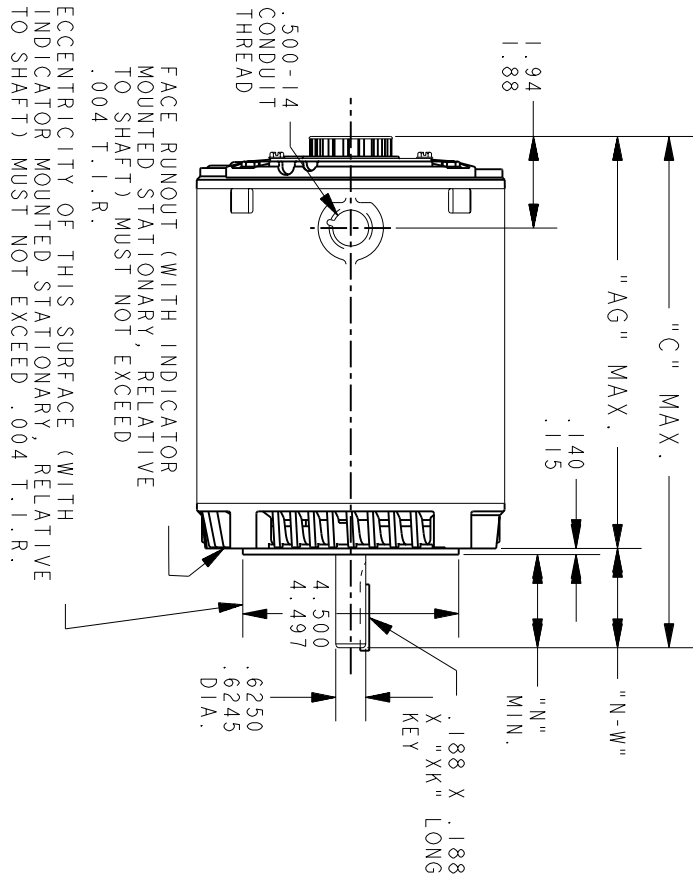
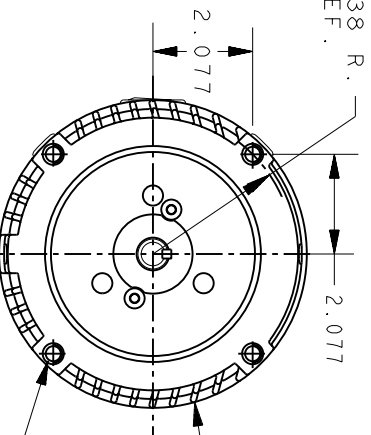
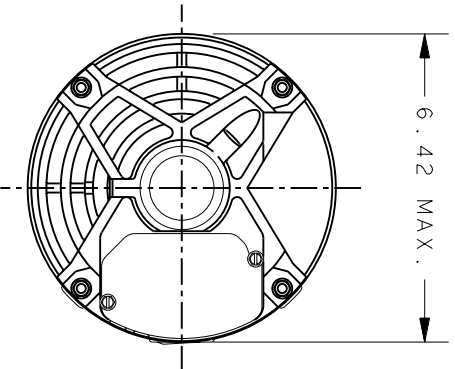
Electrical Type	Split Phase	Starting Method	SM
Poles	4	Rotation	Counterclockwise/Clockwise
Mounting	Round	Motor Orientation	ANY
Drive End Bearing	BALL	Opp Drive End Bearing	BALL
Frame Material	Rolled Steel	Overall Length	11.7 in
Frame Length	7.15 in	Shaft Diameter	0.63 in
Shaft Extension	2.25 in	Thru-bolts Extension	0
Outline Drawing	52A107807P7	Connection Diagram	52A105385AC

This is an uncontrolled document once printed or downloaded and is subject to change without notice. Date Created: 10/08/2018

THIRD ANGLE PROJECTION



REVISIONS		DATE	APPROVED
REV.	DESCRIPTION	DATE	APPROVED
5	REDRAWN & ADDED P#8	06/14/94	M.A.M.
6	CHG TO RBC FORMAT PER IS05-11777	03/03/06	SUDHA



ALL DIMENSIONS ARE IN INCHES

8	7	6	5	4	3	2	1	P
KH	KH	KH	KH	KH	K	K	K	T
46	49	46	48	49	49	46	49	GE
56CZ	56CZ	56CZ	56CZ	56CZ	56C	56C	56C	SIZE
11.15	11.70	11.15	12.66	11.91	11.38	10.78	13.22	
8.66	9.21	8.66	10.54	9.79	9.26	8.66	11.10	
2.25	2.25	2.25	2.25	2.25	1.88	1.88	1.88	
2.49/2.37	2.49/2.37	2.49/2.37	2.49/2.37	2.49/2.37	2.12/2.00	2.12/2.00	2.12/2.00	
1.62	1.38	1.38	1.62	1.62	1.38	1.38	1.38	
6.55	7.15	6.55	8.43	7.68	7.15	6.55	8.99	
								MIN. SHELL

SIGNATURES		DATE
M.D. PAPER	M.D. PAPER	07/20/92
DETAIL		
CHECKED		
ENGRG		
MFG		
QUALITY		
ISSUED	M.A.M.	06/14/94
SOLID MODEL: 52A107807		



REGAL-BELOIT CORPORATION

TITLE OUTLINE

GENERAL PURPOSE MOTOR DRIP PROOF - BALL BEARING - R2 END MOUNTED FWF - 40 FRAME REDESIGN

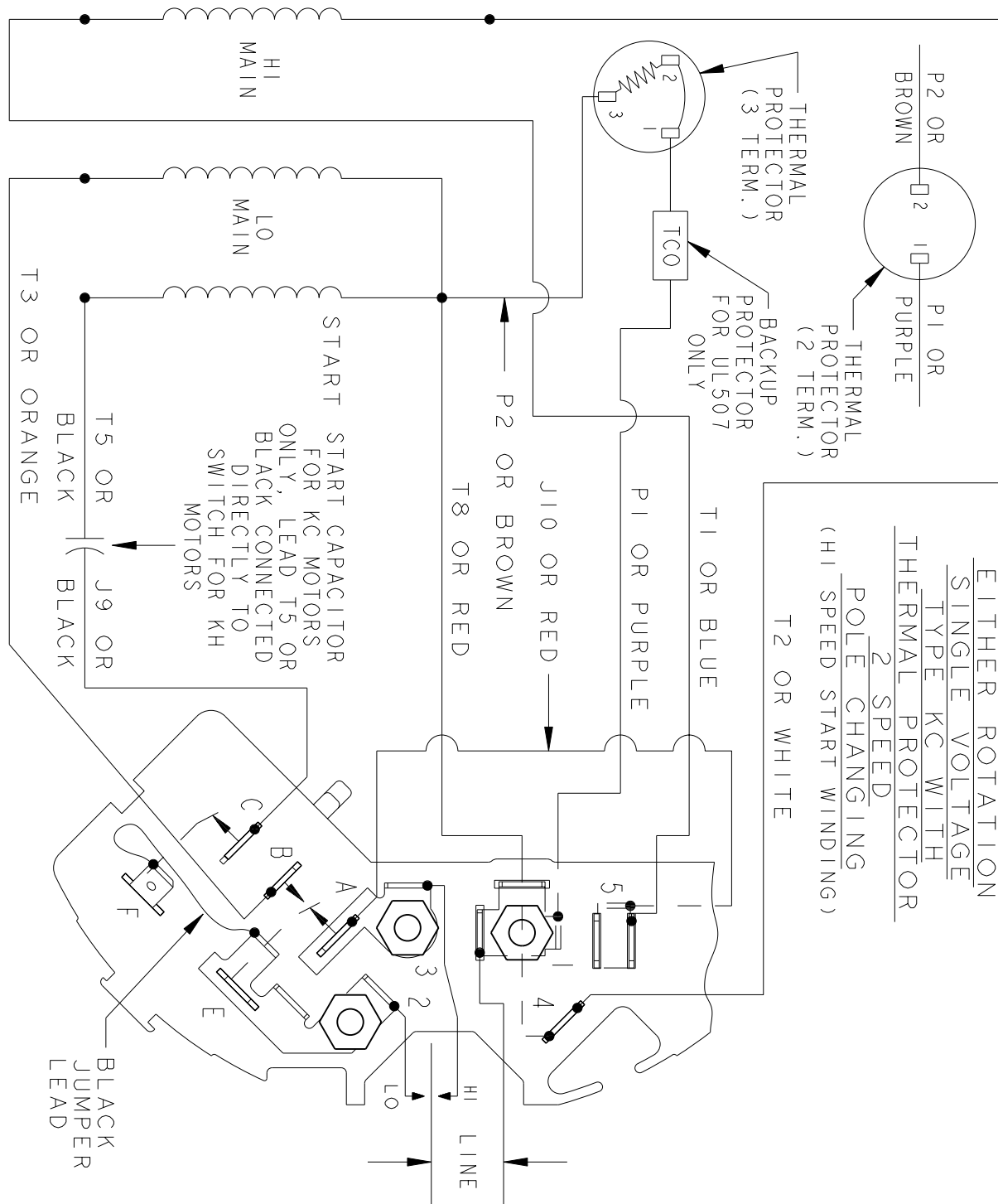
SIZE DRAWING A 52A107807 REV 6

SCALE: 0.250 REF. No.: SHEET 1 of 1

REV.	DESCRIPTION	DATE	APPROVED
4	UPDATED FORMAT	12/19/05	MAM

REVISIONS

EITHER ROTATION
 SINGLE VOLTAGE
 TYPE KC WITH
 THERMAL PROTECTOR
 2 SPEED
 POLE CHANGING
 (HI SPEED START WINDING)
 T2 OR WHITE



NOTE #1 - TO REVERSE ROTATION INTERCHANGE BLUE (T1) AND WHITE (T2) LEADS.

NOTE #2 - WHEN MORE THAN ONE CAPACITOR IS USED CONNECT IN PARALLEL.

REF. DIAG. - 121A866

SWITCH (D) - 115D958BA
 CONNECTION LABEL - 52X332052

SIGNATURES	DATE
MODEL M.D. PAPE	12/14/87
DETAIL	
CHECKED	
ENGRG	
MFG	
FOR ADDITIONAL INFO REFER TO:	
APPLIED PRACTICES	QUALITY
DIMENSIONS ARE IN INCHES	ISSUED
MATERIAL	M.D.P.
	07/29/94
	SOLID MODEL: 52A105385AC



REGAL-BELOLT CORPORATION

CONNECTION DIAGRAM

FMF: 5KH35KN14IG5

52A105385AC

SIZE	DRAWING	REV
A		4

SCALE: 1.000 REF. No.: SHEET 1 of 1