

PRODUCT INFORMATION PACKET

Model No: 5KH46MN6071
Catalog No: H214
1/4, 1140, DP, 56CZ, 1/60/115
Single Phase



Regal and Marathon are trademarks of Regal Beloit Corporation or one of its affiliated companies.
©2019 Regal Beloit Corporation, All Rights Reserved. MC017097E





Nameplate Specifications

Output HP	1/4 Hp	Output KW	0.19 kW
Frequency	60 Hz	Voltage	115 V
Current	5.6 A	Speed	1140 rpm
Service Factor	1.35	Phase	1
Efficiency	53 %	Duty	Continous
Insulation Class	B	KVA Code	M
Frame	56CZ	Enclosure	Drip Proof
Overload Protector	N/R	Ambient Temperature	40 °C
Drive End Bearing Size	6203	Opp Drive End Bearing Size	6203
UL	Recognized	CSA	Yes
CE	N		

Technical Specifications

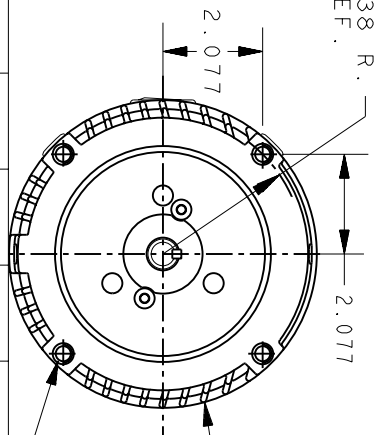
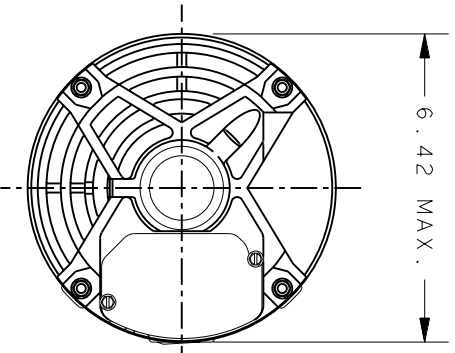
Electrical Type	Split Phase	Starting Method	SM
Poles	6	Rotation	Counterclockwise/Clockwise
Mounting	Round	Motor Orientation	ANY
Drive End Bearing	BALL	Opp Drive End Bearing	BALL
Frame Material	Rolled Steel	Overall Length	11.15 in
Frame Length	6.55 in	Shaft Diameter	0.63 in
Shaft Extension	2.25 in	Thru-bolts Extension	0 in
Outline Drawing	52A107807P8	Connection Diagram	52A105377AA

This is an uncontrolled document once printed or downloaded and is subject to change without notice. Date Created: 01/17/2019

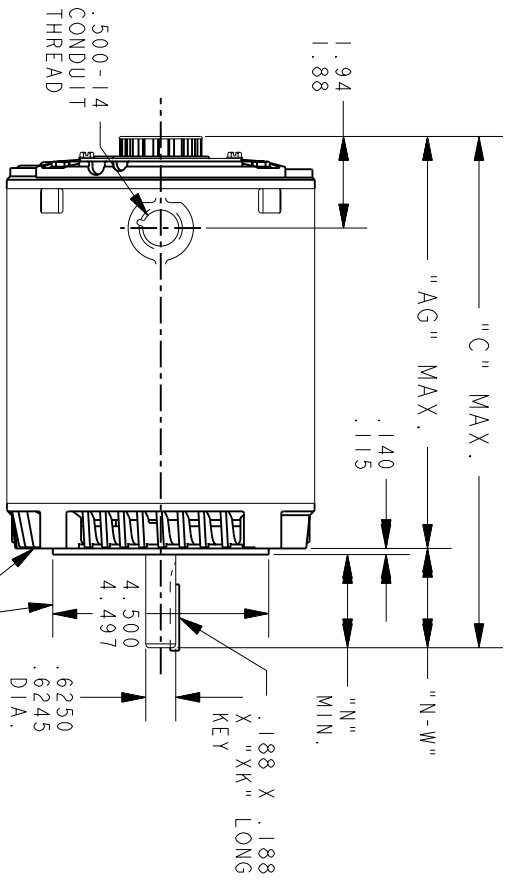
THIRD ANGLE PROJECTION



REVISIONS		DATE	APPROVED
REV.	DESCRIPTION	DATE	APPROVED
5	REDRAWN & ADDED P#8	06/14/94	M.A.M.
6	CHG TO RBC FORMAT PER IS05-11777	03/03/06	SUDHA



FACE RUNOUT (WITH INDICATOR MOUNTED STATIONARY, RELATIVE TO SHAFT) MUST NOT EXCEED .004 T.I.R.
 ECCENTRICITY OF THIS SURFACE (WITH INDICATOR MOUNTED STATIONARY, RELATIVE TO SHAFT) MUST NOT EXCEED .004 T.I.R.



VIEW OF P.E. END SHIELD

ALL DIMENSIONS ARE IN INCHES

8	7	6	5	4	3	2	1	P
KH	KH	KH	KH	KH	K	K	K	K
46	49	46	48	49	49	46	49	49
56CZ	56CZ	56CZ	56CZ	56CZ	56C	56C	56C	56C
11.15	11.70	11.15	12.66	11.91	11.38	10.78	13.22	11.10
8.66	9.21	8.66	10.54	9.79	9.26	8.66	11.10	1.88
2.25	2.25	2.25	2.25	2.25	1.88	1.88	2.12/2.00	1.88
2.49/2.37	2.49/2.37	2.49/2.37	2.49/2.37	2.49/2.37	1.38	1.38	2.12/2.00	1.38
1.62	1.38	1.38	1.62	1.62	1.38	1.38	1.38	1.38
6.55	7.15	6.55	8.43	7.68	7.15	6.55	8.99	8.99

TYPE	GE SIZE	NEMA FR.	"C"	"AG"	"N"	"N-W"	"XK"	MIN. SHELL
KH	46	56CZ	11.15	8.66	2.25	2.49/2.37	1.62	6.55
KH	49	56CZ	11.70	9.21	2.25	2.49/2.37	1.38	7.15
KH	46	56CZ	11.15	8.66	2.25	2.49/2.37	1.38	6.55
KH	48	56CZ	12.66	10.54	2.25	2.49/2.37	1.62	8.43
KH	49	56CZ	11.91	9.79	2.25	2.49/2.37	1.62	7.68
K	49	56C	11.38	9.26	1.88	2.12/2.00	1.38	7.15
K	46	56C	10.78	8.66	1.88	2.12/2.00	1.38	6.55
K	49	56C	13.22	11.10	1.88	2.12/2.00	1.38	8.99

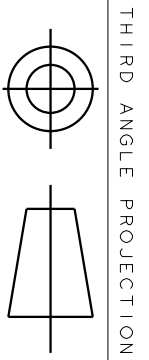
REGAL-BELOIT CORPORATION

OUTLINE

GENERAL PURPOSE MOTOR DRIP PROOF - BALL BEARING - R2 END MOUNTED FMF - 40 FRAME REDESIGN

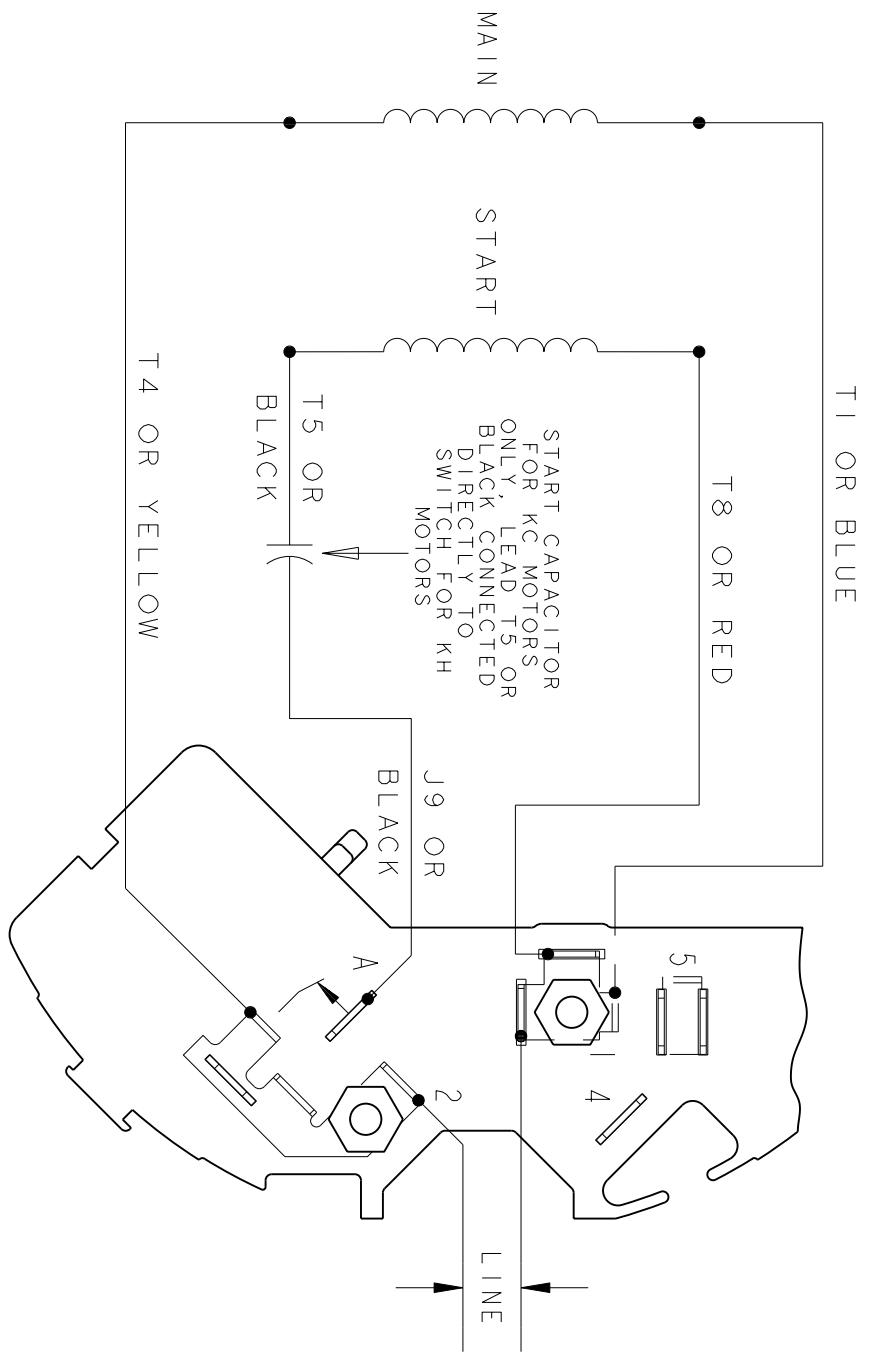
FOR ADDITIONAL INFO REFER TO:	MFG	QUALITY	ISSUED	SOLID MODEL: 52A107807
APPLIED PRACTICES	ENGNG	ISSUED	06/14/94	
DIMENSIONS ARE IN INCHES	CHECKED	ISSUED	06/14/94	

TITLE	SCALE: 0.250	REF. No.:	SHEET 1 of 1
SIZE: DRAWING	A		
52A107807			
REV 6			



THIRD ANGLE PROJECTION		REVISIONS		
REV.	DESCRIPTION	DATE	APPROVED	
1	UPDATED FORMAT	11/10/05	MAM	

EITHER ROTATION - SINGLE VOLTAGE
TYPE KC, OR KH



NOTE #1 - TO REVERSE ROTATION INTERCHANGE BLACK (T5-KH OR J9-KC) AND RED (T8) LEADS.

NOTE #2 - WHEN MORE THAN ONE CAPACITOR IS USED CONNECT IN PARALLEL.

REF. DIAG. - 121A850		SWITCH (C) - 115D958AB	
CONNECTION LABEL - 52X332047			
SIGNATURES		DATE	
MODEL	M.D. PAPE	06/29/87	
DETAIL			
CHECKED			
ENGRG			
MFG			
QUALITY			
ISSUED	M.D. P.	06/29/87	
FOR ADDITIONAL INFO REFER TO:			
APPLIED PRACTICES	✓		
DIMENSIONS ARE IN INCHES			
MATERIAL			
SOLID MODEL: 52A105377AA		SCALE: 1.000	
		REF. No.:	
		SHEET 1 of 1	

REGAL-BELOIT CORPORATION

CONNECTION DIAGRAM

FME: 30 FRAME SWITCH REDESIGN

52A105377AA