

PRODUCT INFORMATION PACKET

Model No: 5KH39QN9543

Catalog No: 4373

General Purpose Motor, 0.33 HP, 1 Ph, 60 Hz, 230 V, 1800 RPM, 48 Frame, DP



Regal and Marathon are trademarks of Regal Rexnord Corporation or one of its affiliated companies.
©2022 Regal Rexnord Corporation, All Rights Reserved. MC017097E

Nameplate Specifications

Output HP	0.33 Hp	Output KW	0.25 kW
Frequency	60 Hz	Voltage	230 V
Current	3.3 A	Speed	1725 rpm
Service Factor	1	Phase	1
Efficiency	57.5 %	Power Factor	0
Duty	Continuous	Insulation Class	B
KVA Code	T	Frame	48
Enclosure	Drip Proof	Thermal Protection	No Protection
Ambient Temperature	40 °C	Drive End Bearing Size	6203
Opp Drive End Bearing Size	6203	UL	Recognized
CSA	Yes	CE	N
Number of Speeds	1		

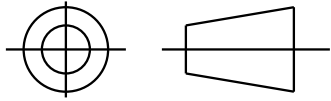
Technical Specifications

Electrical Type	Split Phase	Starting Method	SM
Poles	4	Rotation	Counterclockwise/Clockwise
Mounting	Rigid Base	Motor Orientation	ANY
Drive End Bearing	BALL	Opp Drive End Bearing	Ball
Frame Material	Rolled Steel	Overall Length	8.9 in
Frame Length	5.16 in	Shaft Diameter	0.500 in
Shaft Extension	1.5 in		
Connection Drawing	52A105377AA	Outline Drawing	52A106959P1

This is an uncontrolled document once printed or downloaded and is subject to change without notice. Date Created:11/28/2022

SHEET 1
REV 4
SIZE 52A106959
DRAWING NO. A

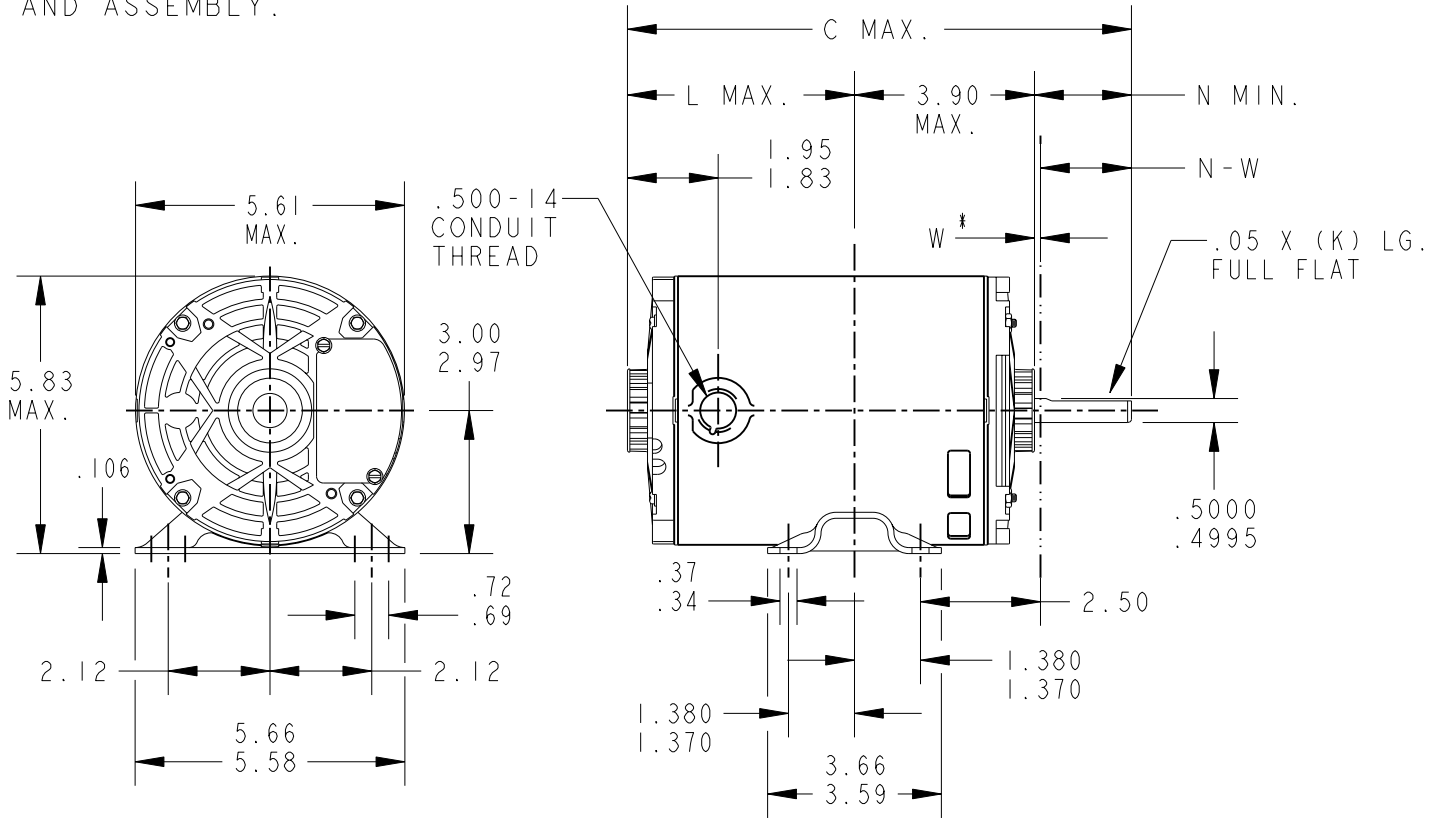
THIRD ANGLE PROJECTION



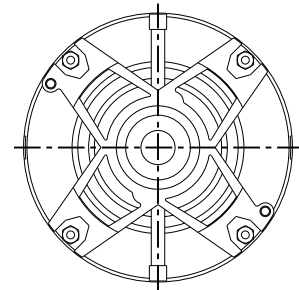
REVISIONS

REV.	DESCRIPTION	DATE	APPROVED
3	REDRAWN & ADDED P7	09/09/93	MAM
4	CHG TO RBC FORMAT PER ISO5-1777	02/15/06	SUDHA


W* IS A CLEARANCE DUE TO VARIATION IN PARTS AND ASSEMBLY.



7	KH	33	48	9.00	1.34	3.84	1.88	2.01/1.79
6	KH	32	48	8.62	1.16	3.27	1.50	1.63/1.41
5	K KH	37	48	10.40	1.16	5.05	1.50	1.63/1.41
4	K KH	36	48	10.00	1.16	4.65	1.50	1.63/1.41
3	K KH	35	48	9.57	1.16	4.22	1.50	1.63/1.41
2	K KH	33	48	9.19	1.16	3.84	1.50	1.63/1.41
1	K KH	32	48	8.94	1.16	3.59	1.50	1.63/1.41
P	TYPE	GE SIZE	NEMA FR	C	K	L	N	N - W

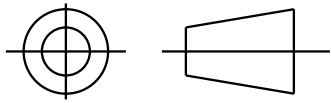


VIEW SHOWING P.E. VENTILATION OPENINGS

FOR ADDITIONAL INFO REFER TO: APPLIED PRACTICES DIMENSIONS ARE IN INCHES ✓ MATERIAL	SIGNATURES	DATE	 REGAL-BELOIT CORPORATION TITLE OUTLINE FORM N - GENERAL PURPOSE MOTOR - DRIP PROOF - WELDED BASE - BALL OR SLEEVE BEARING	SCALE: 0.250 REF. No: . SHEET 1 of 1
	MODEL	MAM 06/15/89		
	DETAIL	.		
	CHECKED	.		
	ENGRG	.		
MFG	.		SIZE DRAWING 52A106959	REV 4
ISSUED	MAM 09/09/93			
SOLID MODEL: 52A106959				

SHEET 1
 REV 1
 SIZE DRAWING NO. 52A105377AA
 A

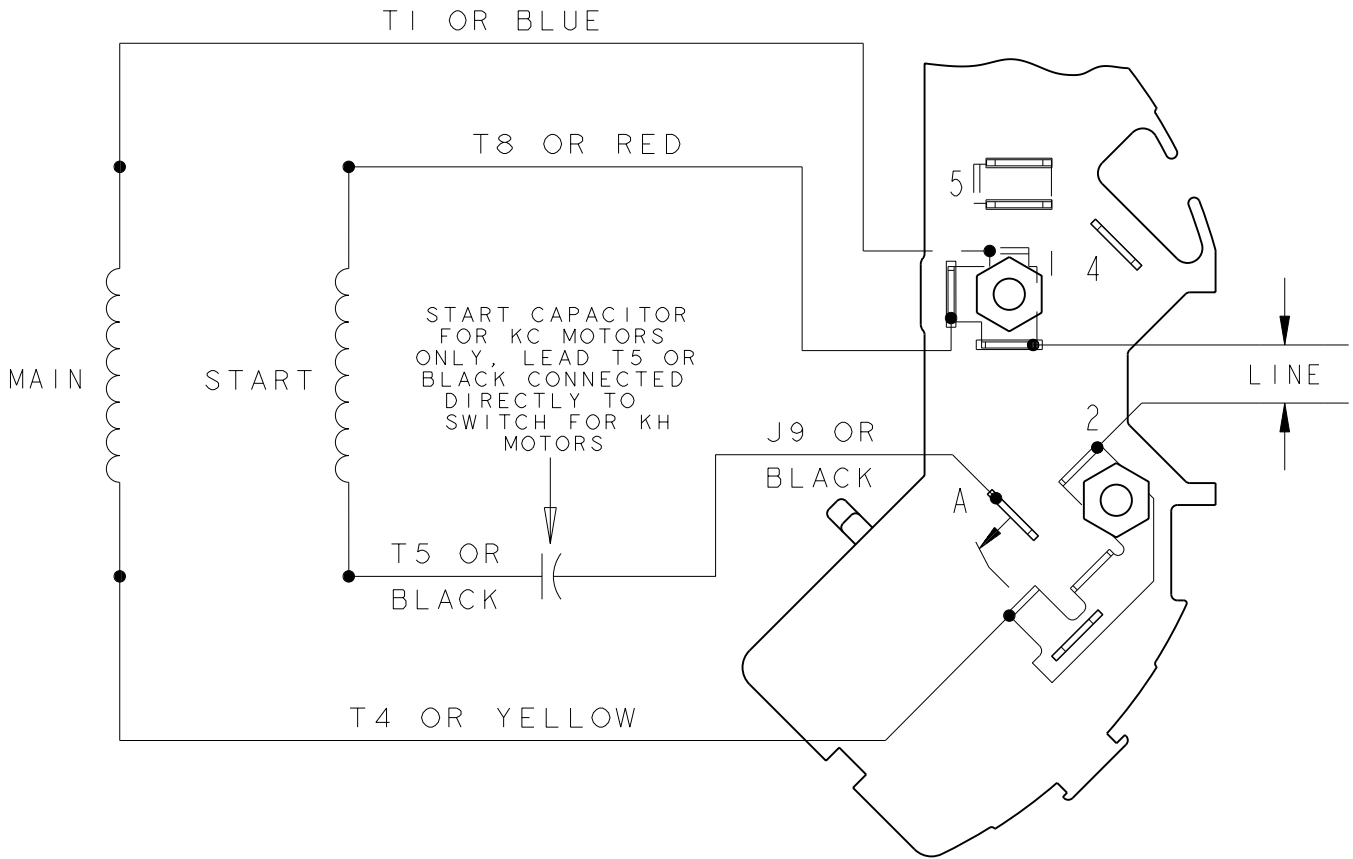
THIRD ANGLE PROJECTION



REVISIONS

REV.	DESCRIPTION	DATE	APPROVED
1	UPDATED FORMAT	11/10/05	MAM

EITHER ROTATION - SINGLE VOLTAGE
TYPE KC, OR KH



NOTE #1 - TO REVERSE ROTATION INTERCHANGE BLACK (T5-KH OR J9-KC) AND RED (T8) LEADS.

NOTE #2 - WHEN MORE THAN ONE CAPACITOR IS USED CONNECT IN PARALLEL.

REF. DIAG. - 121A850		SWITCH (C) - 115D958AB	
CONNECTION LABEL - 52X332047			
SIGNATURES	DATE	REGAL-BELOIT CORPORATION CONNECTION DIAGRAM FMF: 30 FRAME SWITCH REDESIGN	
MODEL M.D. PAPE	06/29/87		
DETAIL	.		
CHECKED	.		
ENGRG	.		
MFG	.		
FOR ADDITIONAL INFO REFER TO:	QUALITY	SIZE DRAWING	REV
APPLIED PRACTICES	ISSUED M.D.P. 06/29/87	A	1
DIMENSIONS ARE IN INCHES ✓	SOLID MODEL: 52A105377AA	SCALE: 1.000	REF. No: .
MATERIAL			SHEET 1 of 1