

PRODUCT INFORMATION PACKET

marathon[®]
Motors

Model No: 449TTGS16557
Catalog No: H504A
350,1800,EPFC,449T,3/60/460
Explosion Proof



Regal and Marathon are trademarks of Regal Beloit Corporation or one of its affiliated companies.
©2018 Regal Beloit Corporation, All Rights Reserved. MC017097E

REGAL[®]

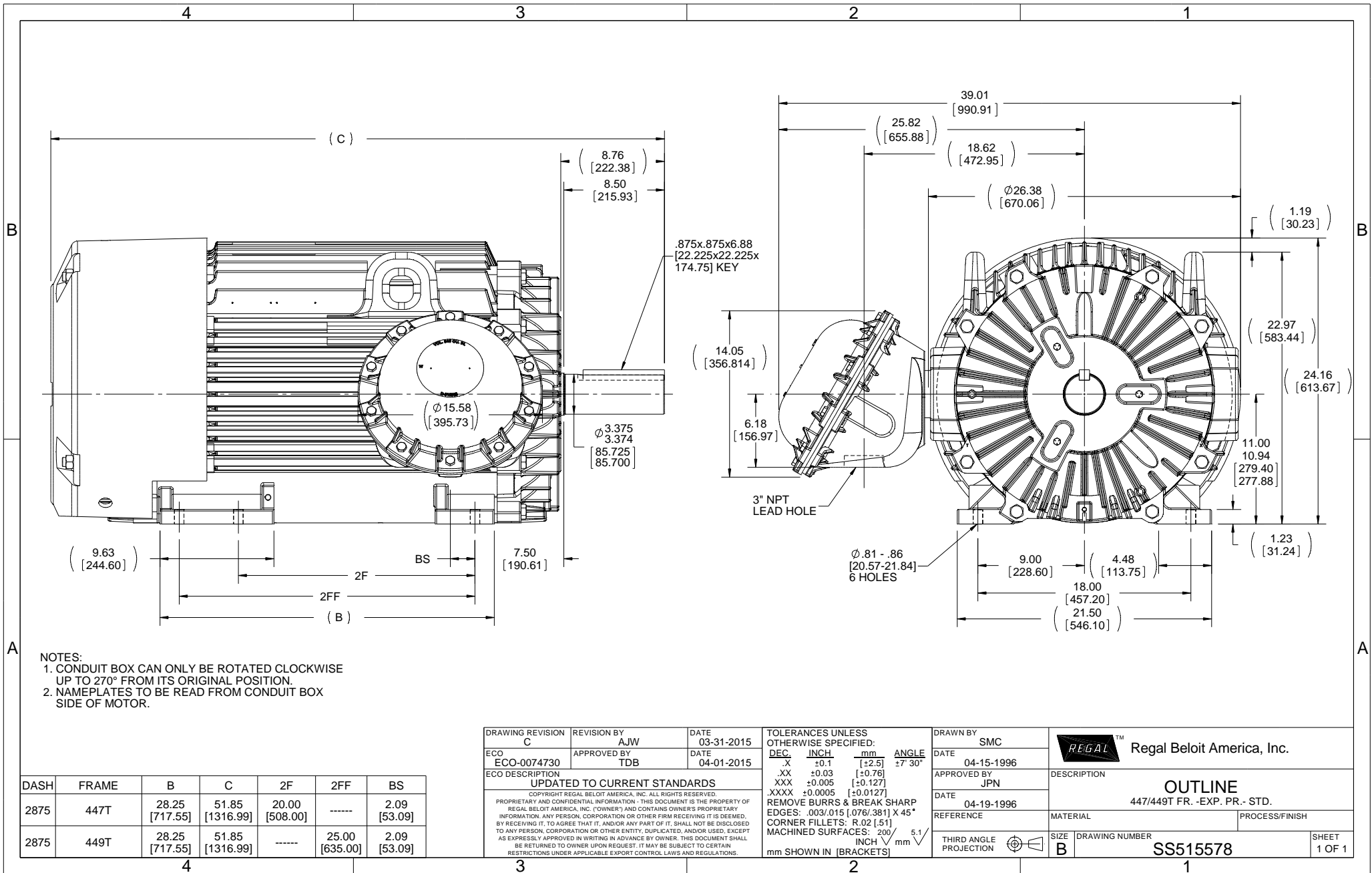


Nameplate Specifications

Output HP	350 Hp	Output KW	260.0 kW
Frequency	60 Hz	Voltage	460 V
Current	395.0 A	Speed	1785 rpm
Service Factor	1	Phase	3
Efficiency	96.2 %	Duty	Continuous
Insulation Class	F	Design Code	B
KVA Code	G	Frame	447/449T
Enclosure	Explosion Proof Fan cooled	Overload Protector	No
Ambient Temperature	40 °C	Drive End Bearing Size	NU319
Opp Drive End Bearing Size	6318	UL	No
CSA	N	CE	N
IP Code	54		

Technical Specifications

Electrical Type	Squirrel Cage Inverter Rated	Starting Method	Part Wdg Start & Wye Start Delta Run Or Inverter
Poles	4	Rotation	Reversible
Mounting	Rigid base	Motor Orientation	Horizontal
Drive End Bearing	Roller	Opp Drive End Bearing	Ball
Frame Material	Cast Iron	Shaft Type	T
Overall Length	51.85 in	Frame Length	28.75 in
Shaft Diameter	3.375 in	Shaft Extension	8.76 in
Assembly/Box Mounting	F1 Only		
Outline Drawing	B-SS515578-2875	Connection Diagram	A-EE7300CB



- NOTES:
 1. CONDUIT BOX CAN ONLY BE ROTATED CLOCKWISE UP TO 270° FROM ITS ORIGINAL POSITION.
 2. NAMEPLATES TO BE READ FROM CONDUIT BOX SIDE OF MOTOR.

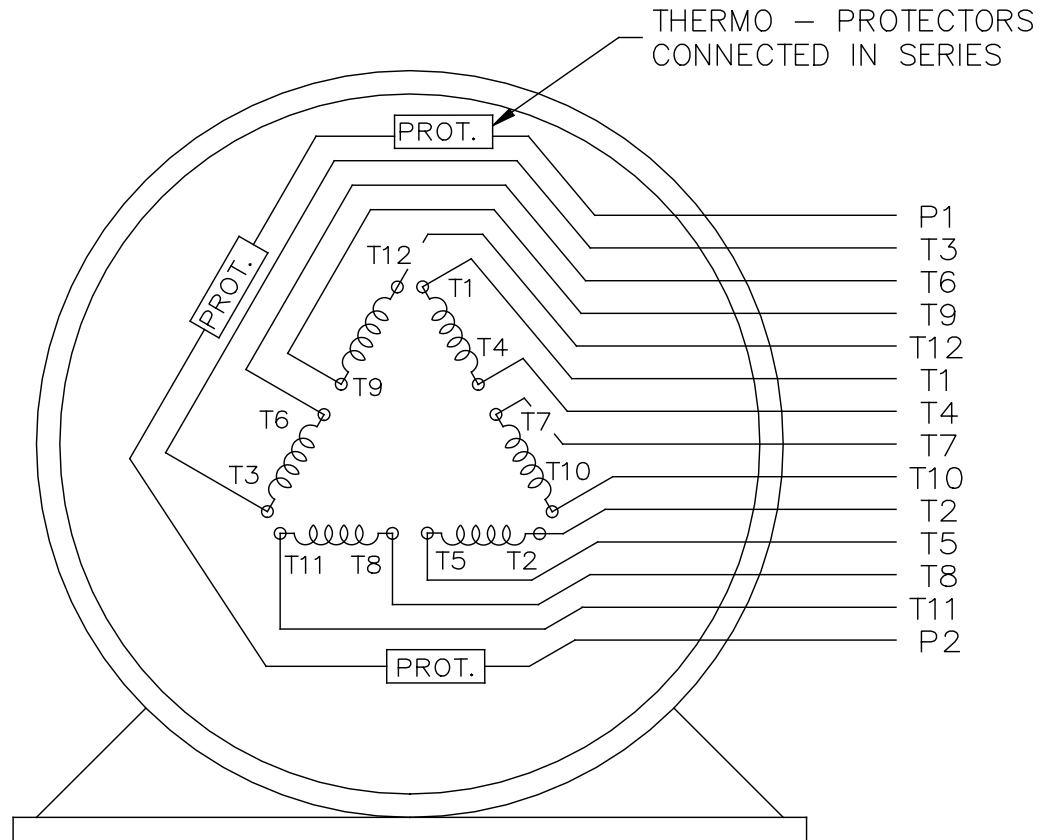
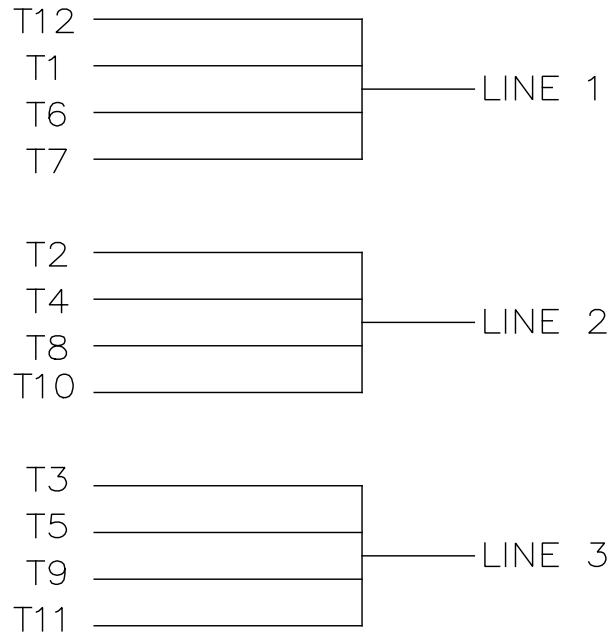
DASH	FRAME	B	C	2F	2FF	BS
2875	447T	28.25 [717.55]	51.85 [1316.99]	20.00 [508.00]	-----	2.09 [53.09]
2875	449T	28.25 [717.55]	51.85 [1316.99]	-----	25.00 [635.00]	2.09 [53.09]

DRAWING REVISION C	REVISION BY AJW	DATE 03-31-2015
ECO-0074730	APPROVED BY TDB	DATE 04-01-2015
ECO DESCRIPTION UPDATED TO CURRENT STANDARDS		
<small>COPYRIGHT REGAL BELOIT AMERICA, INC. ALL RIGHTS RESERVED. PROPRIETARY AND CONFIDENTIAL INFORMATION - THIS DOCUMENT IS THE PROPERTY OF REGAL BELOIT AMERICA, INC. (OWNER) AND CONTAINS OWNER'S PROPRIETARY INFORMATION. ANY PERSON, CORPORATION OR OTHER FIRM RECEIVING IT IS DEEMED, BY RECEIVING IT, TO AGREE THAT IT, AND/OR ANY PART OF IT, SHALL NOT BE DISCLOSED TO ANY PERSON, CORPORATION OR OTHER ENTITY, DUPLICATED, AND/OR USED, EXCEPT AS EXPRESSLY APPROVED IN WRITING IN ADVANCE BY OWNER. THIS DOCUMENT SHALL BE RETURNED TO OWNER UPON REQUEST. IT MAY BE SUBJECT TO CERTAIN RESTRICTIONS UNDER APPLICABLE EXPORT CONTROL LAWS AND REGULATIONS.</small>		

TOLERANCES UNLESS OTHERWISE SPECIFIED:			
DEC	INCH	mm	ANGLE
.X	+0.1	[+2.5]	±7° 30'
.XX	±0.03	[±0.76]	
.XXX	±0.005	[±0.127]	
.XXXX	±0.0005	[±0.0127]	
REMOVE BURRS & BREAK SHARP EDGES: .003/.015 [.076/.381] X 45°			
CORNER FILLETS: R.02 [.51]			
MACHINED SURFACES: 200 INCH 5.1 mm			
mm SHOWN IN [BRACKETS]			

DRAWN BY SMC
DATE 04-15-1996
APPROVED BY JPN
DATE 04-19-1996
REFERENCE

Regal Beloit America, Inc.	
DESCRIPTION OUTLINE 447/449T FR. -EXP. PR.- STD.	
MATERIAL	PROCESS/FINISH
THIRD ANGLE PROJECTION	SIZE B
DRAWING NUMBER SS515578	SHEET 1 OF 1



VIEW OF TERMINAL END

		TOLERANCES UNLESS SPECIFIED		REGAL REGAL - BELOIT CORPORATION		DRAWN KL 02-27-2003		
		DEC.	INCHES			CHK	GFH 03-03-2003	
		.X	± -			APPD	JES 03-03-2003	
		.XX	± -	TITLE CONNECTION DIAGRAM - EXTERNAL 12 LEAD SINGLE VOLTAGE		SCALE	1=1	
		.XXX	± -			REF		
A	CHANGED TO REGAL TITLEBLOCK ECO-0108299	WGJ	08-18-2016	EMH	.XXXX	± -	MAT'L.	
NO.	REVISION	BY & DATE	CHK	ANG	± -	FINISH	PREV	
THIS DRAWING IN DESIGN AND DETAIL IS OUR PROPERTY AND MUST NOT BE USED EXCEPT IN CONNECTION WITH OUR WORK ALL RIGHTS OF DESIGN AND INVENTION ARE RESERVED THIS IS AN ELECTRONICALLY GENERATED DOCUMENT - DO NOT SCALE THIS PRINT				RFP	CAD FILE EE7300CB		SIZE	DRAWING NO. PAGE OF REV.
				DIST			A	EE7300CB

CERTIFICATION DATA SHEET

Model#: 449TTGS16557 AA **WINDING#:** T4494123 NONE 1
CONN. DIAGRAM: A-EE7300CB **ASSEMBLY:** F1 ONLY
OUTLINE: B-SS515578-2875

TYPICAL MOTOR PERFORMANCE DATA

HP	KW	SYNC. RPM	F.L. RPM	FRAME	ENCLOSURE	KVA CODE	DESIGN
350	260	1800	1785	447/449T	EPFC	G	B

PH	Hz	VOLTS	FL AMPS	START TYPE	DUTY	INSL	S.F	AMB°C	ELEVATION
3	60	460	395	PWS & YDRUN OR INV	CONTINUOUS	F1	1.0	40	3300

FULL LOAD EFF: 96.2	3/4 LOAD EFF: 96.2	1/2 LOAD EFF: 95.4	GTD. EFF	ELEC. TYPE	NO LOAD AMPS
FULL LOAD PF: 86.5	3/4 LOAD PF: 84	1/2 LOAD PF: 77.5	95.8	SQ CAGE INV RATED	115

F.L. TORQUE	LOCKED ROTOR AMPS	L.R. TORQUE	B.D. TORQUE	F.L. RISE°C
1030 LB-FT	2550	2075 LB-FT 201	2400 LB-FT 233	80

SOUND PRESSURE @ 3 FT.	SOUND POWER	ROTOR WK^2	MAX. WK^2	SAFE STALL TIME	STARTS /HOUR	APPROX. MOTOR WGT
85 dBA	95 dBA	98 LB-FT^2	2900 LB-FT^2	25 SEC.	1	3100 LBS.

***** SUPPLEMENTAL INFORMATION *****

DE BRACKET TYPE	ODE BRACKET TYPE	MOUNT TYPE	ORIENTATION	SEVERE DUTY	HAZARDOUS LOCATION	DRIP COVER	SCREENS	PAINT
STANDARD	STANDARD	RIGID	HORIZONTAL	PREMIUM SEVERE DUTY	EXP PROOF CL I GR C&D CL II GR F&G T3B	FALSE	NONE	BLUE (EPOXY)

BEARINGS		GREASE	SHAFT TYPE	SPECIAL DE	SPECIAL ODE	SHAFT MATERIAL	FRAME MATERIAL
DE	OPE						
ROLLER	BALL	POLYREX EM	T	NONE	NONE	1045 HOT ROLLED (C-204)	CAST IRON
NU319	6318						

THERMO-PROTECTORS				THERMISTORS	CONTROL	SPACE /n HEATERS
THERMOSTATS	PROTECTORS	WDG RTDs	BRG RTDs			
TSTATS (N/C)	NOT	NONE	NONE	NONE	FALSE	NONE VOLTS

If Inverter equals NONE, contact factory for further information

INVERTER TORQUE: CONSTANT 2:1
INV. HP SPEED RANGE: 1.5 X BASE SPEED
ENCODER: NONE
NONE NONE
NONE NONE PPR
BRAKE: NONE NONE
NONE P/N NONE
NONE NONE
NONE FT-LB NONE V NONE Hz

*
N
O
T
E
S
*

DATE: 06/21/2017 07:28:17 AM
 FORM 3531 REV.3 02/07/99

** Subject to change without notice.

Data Sheet

Date: 6/19/2017

449TGS16557

Customer:



Submital

Attention:

FAREEDA DUDEKULA

Data @ 460 V

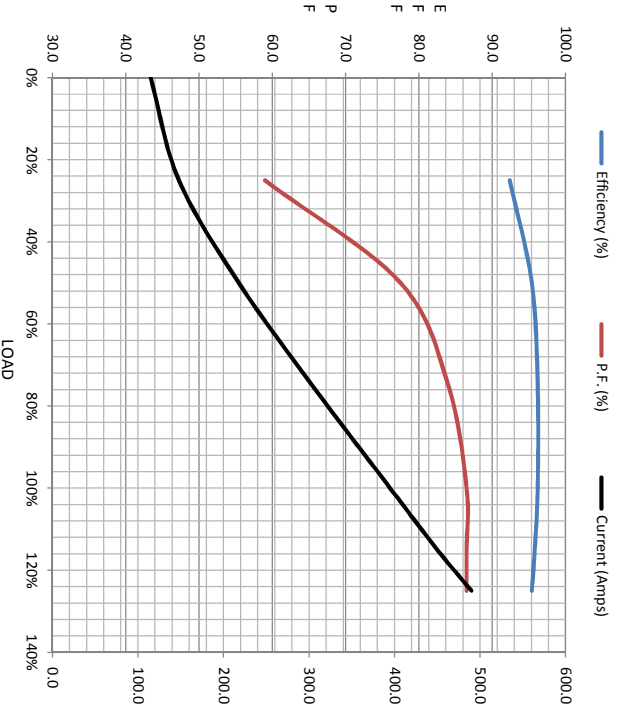
Submitted by:

Motor Load Data

Load	0%	25%	50%	75%	100%	115%	125%	LR
Current (Amps)	115	148	218	304	395	450	490	2,550
Torque (ft-lb)	0.00	256	512	770	1,030	1,185	1,290	2,075
RPM	1800	1796	1794	1790	1785	1,782	1780	0
Efficiency (%)		92.4	95.4	96.2	96.2	95.8	95.4	
P.F. (%)	5.5	59.0	77.5	84.0	86.5	86.5	86.5	31.0

Motor Speed Data

	LR	Pull-Up	BD	Rated	Idle	Information Block
Speed (rpm)	0	900	1725	1785	1800	HP 350.0
Current (Amps)	2,550	2,250	1,350	395	115	Sync. RPM 1800
Torque (ft-lb)	2,075	1,950	2,400	1,030	0.00	Frame 449
						Enclosure TEFC
						Construction TFN
						Voltage 460 V
						Frequency 60 Hz
						Design A
						LR Code letter G
						Service Factor 1.15
						Temp Rise @ FL 80 °C
						Duty CONT
						Ambient 40 °C
						Elevation 1,000 feet
						Rotor/Shaft wkt 98.0 Lb-Fe
						Rel Wdg T4494123 NONE
						Sound Pressure @ 1M 85 dBA
						VFD Rating CONSTANT 2:1
						Outline Dwg B-SS51557/8-2875
						Conn. Diag A-EET300CB
						Additional Specifications:
						0
						0
						EQUIV CKT (OHMS / PHASE)
						R1 R2 X1 X2 Xm
						0.0070 0.0050 0.0660 0.1000 2.3110



	Information Block
HP	350.0
Sync. RPM	1800
Frame	449
Enclosure	TEFC
Construction	TFN
Voltage	460 V
Frequency	60 Hz
Design	A
LR Code letter	G
Service Factor	1.15
Temp Rise @ FL	80 °C
Duty	CONT
Ambient	40 °C
Elevation	1,000 feet
Rotor/Shaft wkt	98.0 Lb-Fe
Rel Wdg	T4494123 NONE
Sound Pressure @ 1M	85 dBA
VFD Rating	CONSTANT 2:1
Outline Dwg	B-SS51557/8-2875
Conn. Diag	A-EET300CB
Additional Specifications:	
	0
	0
	EQUIV CKT (OHMS / PHASE)
	R1 R2 X1 X2 Xm
	0.0070 0.0050 0.0660 0.1000 2.3110

