

# PRODUCT INFORMATION PACKET

**marathon**<sup>®</sup>  
Motors

Model No: 444TSTFN16033  
Catalog No: E810A  
125,1800,TEFC,444TS,3/60/460  
Totally Enclosed Fan Cooled (TEFC)



Regal and Marathon are trademarks of Regal Beloit Corporation or one of its affiliated companies.  
©2018 Regal Beloit Corporation, All Rights Reserved. MC017097E

**REGAL**<sup>®</sup>



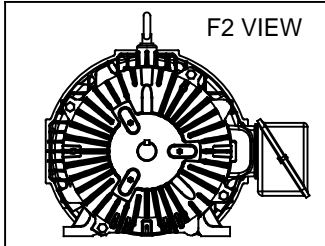
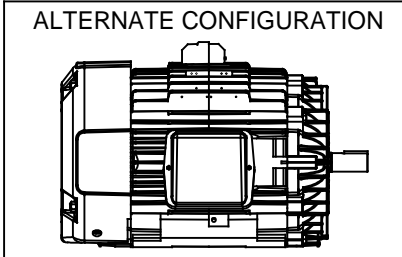
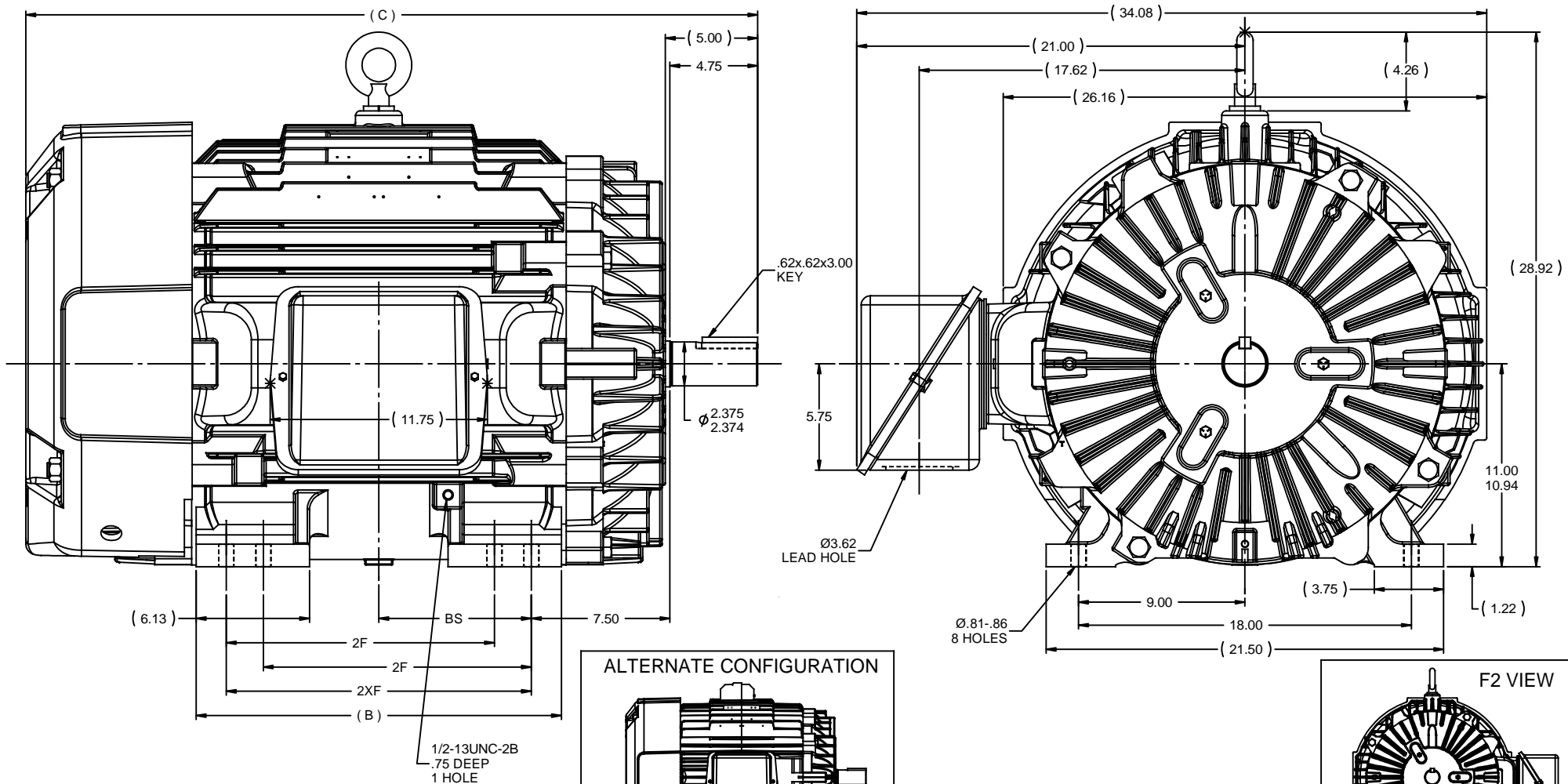
### Nameplate Specifications

Output HP	<b>125 Hp</b>	Output KW	<b>93.0 kW</b>
Frequency	<b>60 Hz</b>	Voltage	<b>460 V</b>
Current	<b>146.0 A</b>	Speed	<b>1785 rpm</b>
Service Factor	<b>1.15</b>	Phase	<b>3</b>
Efficiency	<b>95.4 %</b>	Duty	<b>Continuous</b>
Insulation Class	<b>F</b>	Design Code	<b>B</b>
KVA Code	<b>G</b>	Frame	<b>444TS</b>
Enclosure	<b>Totally Enclosed Fan Cooled</b>	Overload Protector	<b>No</b>
Ambient Temperature	<b>40 °C</b>	Drive End Bearing Size	<b>6313</b>
Opp Drive End Bearing Size	<b>6313</b>	UL	<b>Recognized</b>
CSA	<b>Y</b>	CE	<b>Y</b>
IP Code	<b>43</b>		

### Technical Specifications

Electrical Type	<b>Squirrel Cage Induction Run</b>	Starting Method	<b>Across The Line</b>
Poles	<b>4</b>	Rotation	<b>Reversible</b>
Mounting	<b>Rigid base</b>	Motor Orientation	<b>Horizontal</b>
Drive End Bearing	<b>Ball</b>	Opp Drive End Bearing	<b>Ball</b>
Frame Material	<b>Cast Iron</b>	Shaft Type	<b>TS</b>
Overall Length	<b>39.6 in</b>	Frame Length	<b>20.25 in</b>
Shaft Diameter	<b>2.375 in</b>	Shaft Extension	<b>5 in</b>
Assembly/Box Mounting	<b>F1/F2 Capable</b>		
Outline Drawing	<b>B-SS514023-2025</b>	Connection Diagram	<b>A-EE7300U</b>

This is an uncontrolled document once printed or downloaded and is subject to change without notice. Date Created: 06/29/2018

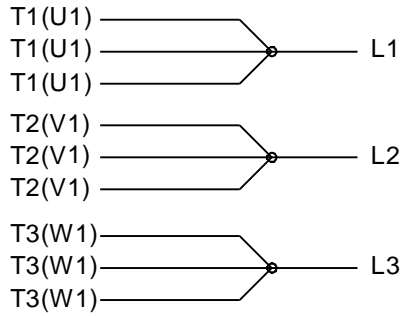


- NOTES:  
 1. CONDUIT BOX CAN BE ROTATED IN 90° STEPS.  
 2. CONDUIT BOX CAN BE MOUNTED ON OPPOSITE SIDE BY REMOVING BRACKETS AND TURNING FRAME 180°.  
 3. NAMEPLATES TO BE READ FROM CONDUIT BOX SIDE OF MOTOR.

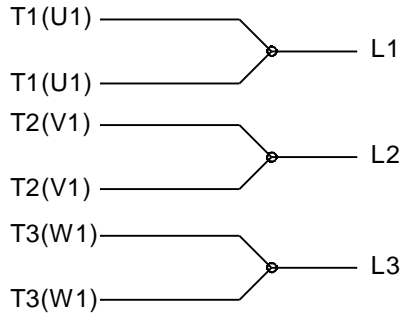
DASH	FRAME	B	C	2F	2XF	BS
1825	444TS	17.75	37.60	14.50	- - -	7.25
2025	444/445TS	19.75	39.60	14.50	16.50	8.25

10	CORRECTED C'BOX DIM. 5.75 WAS 5.56 ISAAC 09-5049	JJB 2/4/2011	TOLERANCES UNLESS SPECIFIED		DRAWN RM 06-25-1991
9	UPDATED WITH NEW FRAME. 28.92 DIMENSION WAS 26.52. ADDED PREVIOUS CONFIG. & F2 VIEW PER ISAAC 09-5049	JJB 12/16/2008	DEC INCHES		CHK TLB 06-25-1991
8	CHG. FAN GUARD & REV. C DIM. PER CN 39335	RWR 01/22/2007	MH x ±.1	TITLE OUTLINE	SCALE 1:5.25
7	REVISED LEAD DIM FROM Ø4.12 PER CN 32179	CTO 03/24/2003	ML .xx ±.03	444/445TS FR. - TEFC - STD.	REF
6	REISSUE - 26.52 DIMENSION WAS 24.19 CN 21946	KL 05/19/1999	ML .xxx ±.005	MATL	FMF
NO	REVISION	BY & DATE	CHK ANG ±1/2°	FINISH	PAGE OF
	THIRD ANGLE PROJECTION		RFP 06-25-1991	PREV	SIZE DRAWING NO
			NETWORK FILE NAME SS514023		<b>B</b> <b>SS514023</b>
					REV 10

**IF MOTOR HAS 9 LEADS**

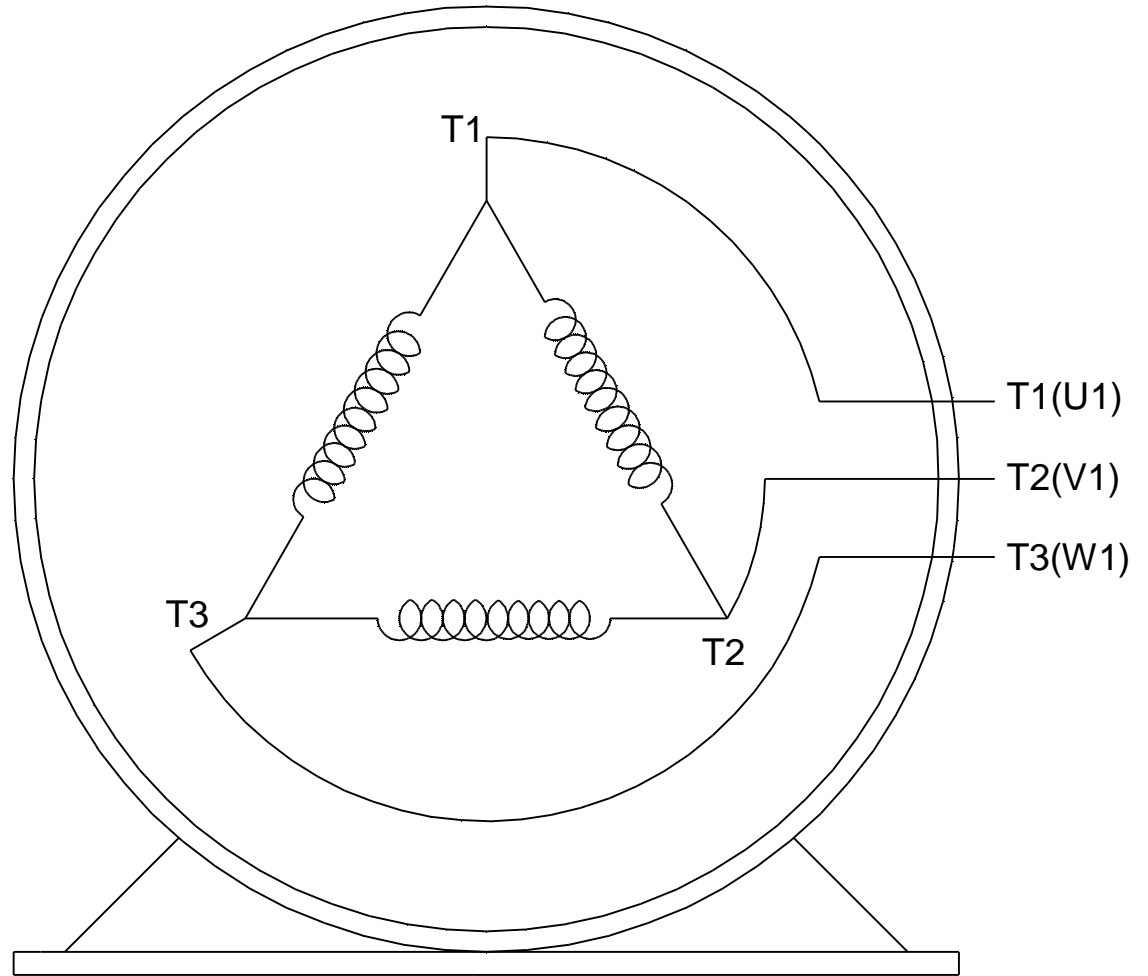
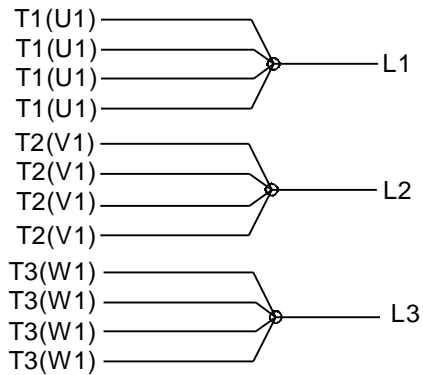


**IF MOTOR HAS 6 LEADS**



A-9806 DECAL IF CALLED FOR

**IF MOTOR HAS 12 LEADS**



**VIEW OF TERMINAL END**

DRAWING REVISION <b>L</b>	REVISION BY <b>AJW</b>	DATE <b>05-04-2015</b>	TOLERANCES UNLESS OTHERWISE SPECIFIED:	DRAWN BY <b>DRS</b>	<b>Regal Beloit America, Inc.</b>																					
ECO <b>ECO-0077067</b>	APPROVED BY <b>EWH</b>	DATE <b>05-05-2015</b>	<table style="font-size: small; border-collapse: collapse;"> <tr> <td><u>DEC.</u></td> <td><u>INCH</u></td> <td><u>mm</u></td> <td><u>ANGLE</u></td> </tr> <tr> <td>.X</td> <td>±0.1</td> <td>[±2.5]</td> <td>±7' 30"</td> </tr> <tr> <td>.XX</td> <td>±0.02</td> <td>[±0.51]</td> <td></td> </tr> <tr> <td>.XXX</td> <td>±0.005</td> <td>[±0.127]</td> <td></td> </tr> <tr> <td>.XXXX</td> <td>±0.0005</td> <td>[±0.0127]</td> <td></td> </tr> </table>	<u>DEC.</u>			<u>INCH</u>	<u>mm</u>	<u>ANGLE</u>	.X	±0.1	[±2.5]	±7' 30"	.XX	±0.02	[±0.51]		.XXX	±0.005	[±0.127]		.XXXX	±0.0005	[±0.0127]		DATE <b>09-27-1996</b>
<u>DEC.</u>	<u>INCH</u>	<u>mm</u>	<u>ANGLE</u>																							
.X	±0.1	[±2.5]	±7' 30"																							
.XX	±0.02	[±0.51]																								
.XXX	±0.005	[±0.127]																								
.XXXX	±0.0005	[±0.0127]																								
ECO DESCRIPTION <b>UPDATED TO SOLIDWORKS</b> <small>COPYRIGHT REGAL BELOIT AMERICA, INC. ALL RIGHTS RESERVED. PROPRIETARY AND CONFIDENTIAL INFORMATION - THIS DOCUMENT IS THE PROPERTY OF REGAL BELOIT AMERICA, INC. ("OWNER") AND CONTAINS OWNER'S PROPRIETARY INFORMATION. ANY PERSON, CORPORATION OR OTHER FIRM RECEIVING IT IS DEEMED, BY RECEIVING IT, TO AGREE THAT IT, AND/OR ANY PART OF IT, SHALL NOT BE DISCLOSED TO ANY PERSON, CORPORATION OR OTHER ENTITY, DUPLICATED, AND/OR USED, EXCEPT AS EXPRESSLY APPROVED IN WRITING IN ADVANCE BY OWNER. THIS DOCUMENT SHALL BE RETURNED TO OWNER UPON REQUEST. IT MAY BE SUBJECT TO CERTAIN RESTRICTIONS UNDER APPLICABLE EXPORT CONTROL LAWS AND REGULATIONS.</small>			APPROVED BY <b>GK</b>	MATERIAL  PROCESS/FINISH																						
			DATE <b>09-30-1996</b>			REFERENCE	SIZE <b>A</b>	DRAWING NUMBER <b>EE7300U</b>	SHEET <b>1 OF 1</b>																	
			REMOVE BURRS & BREAK SHARP EDGES: .003/.015 [.076/.381] X 45° CORNER FILLETS: R.02 [.51] MACHINED SURFACES: 200 INCH $\sqrt{\text{mm}}$ 5.1 mm SHOWN IN [BRACKETS]	THIRD ANGLE PROJECTION																						



