

# PRODUCT INFORMATION PACKET

**marathon**<sup>®</sup>  
Motors

Model No: 444TSTDC16003  
Catalog No: GT0054  
200,3600,DP,444TS,3/60/460PWS  
Open Drip Proof (ODP)



Regal and Marathon are trademarks of Regal Beloit Corporation or one of its affiliated companies.  
©2018 Regal Beloit Corporation, All Rights Reserved. MC017097E

**REGAL**<sup>®</sup>



### Nameplate Specifications

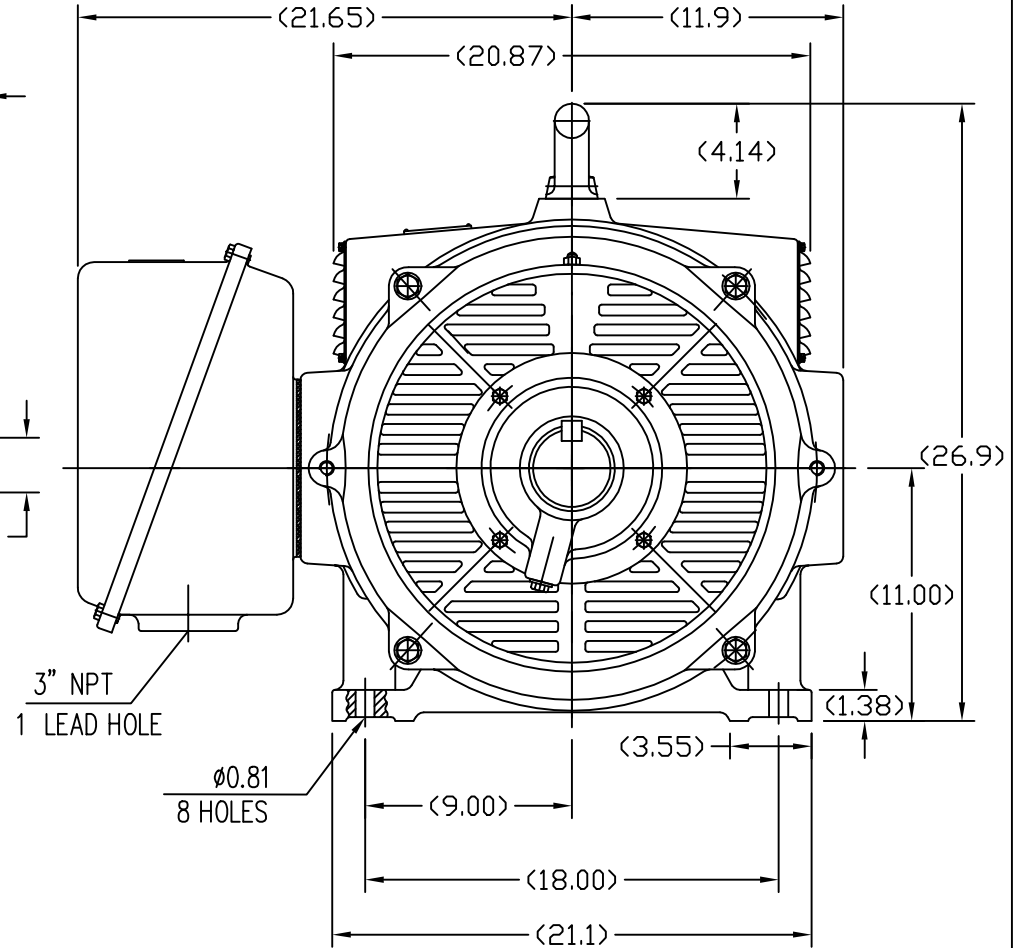
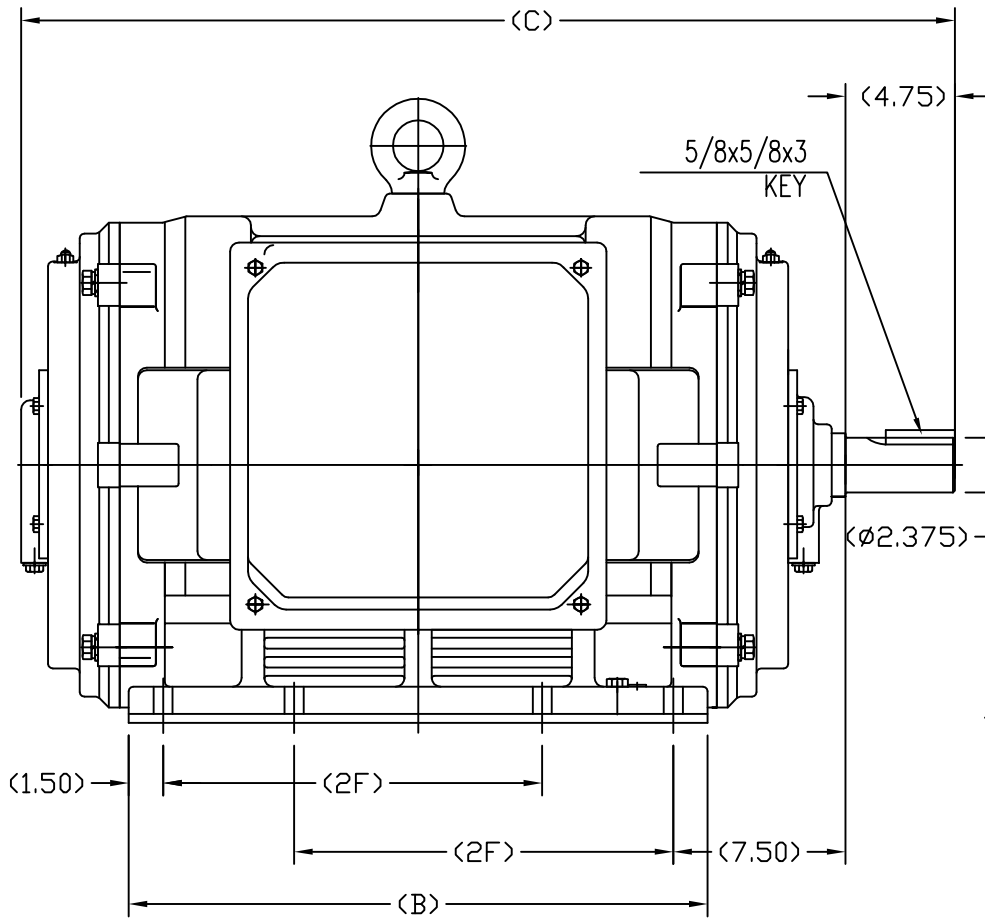
Output HP	<b>200 Hp</b>	Output KW	<b>149.0 kW</b>
Frequency	<b>60 Hz</b>	Voltage	<b>460 V</b>
Current	<b>215.0 A</b>	Speed	<b>3582 rpm</b>
Service Factor	<b>1.15</b>	Phase	<b>3</b>
Efficiency	<b>95 %</b>	Duty	<b>Continuous</b>
Insulation Class	<b>F</b>	Design Code	<b>B</b>
KVA Code	<b>G</b>	Frame	<b>444TS</b>
Enclosure	<b>Drip Proof</b>	Overload Protector	<b>No</b>
Ambient Temperature	<b>40 °C</b>	Drive End Bearing Size	<b>6314</b>
Opp Drive End Bearing Size	<b>6314</b>	UL	<b>Recognized</b>
CSA	<b>Y</b>	CE	<b>Y</b>
IP Code	<b>12</b>		

### Technical Specifications

Electrical Type	<b>Squirrel Cage Inverter Rated</b>	Starting Method	<b>Part Wdg Start &amp; Wye Start Delta Run Or Inverter</b>
Poles	<b>2</b>	Rotation	<b>Reversible</b>
Mounting	<b>Rigid base</b>	Motor Orientation	<b>Horizontal</b>
Drive End Bearing	<b>Ball</b>	Opp Drive End Bearing	<b>Ball</b>
Frame Material	<b>Cast Iron</b>	Shaft Type	<b>TS</b>
Overall Length	<b>40.83 in</b>	Shaft Diameter	<b>2.375 in</b>
Shaft Extension	<b>4.75 in</b>	Assembly/Box Mounting	<b>F1/F2 Capable</b>
Outline Drawing	<b>B-SS620256</b>	Connection Diagram	<b>A-EE7341C</b>

This is an uncontrolled document once printed or downloaded and is subject to change without notice. Date Created: 06/29/2018

SS620256



444TS	40.83	25.2	14.5
445TS			16.5
447TS	45.95	30.31	20
449TS			25
Frame	C	B	2F

REVISION		BY & DATE	CHK	ANG	FINISH	CAD FILE	SS620256	SIZE	DRAWING NO.	REV.
A	2 leads hole change to 1	CL 2010-9-8						B	SS620256	
TOLERANCES UNLESS SPECIFIED DEC. INCHES .X ±.1 .XX ±.03 .XXX ±.005 .XXXX ±.0005 MAT'L. REGAL BELOIT CORPORATION TITLE OUTLINE 444/445/447/449TS FR-ODP-CAST IRON DRAWN HZJ 02-21-2010 CHK ZYH 02-21-2010 APPD CL 02-21-2010 SCALE 6=32 REF FMF HWADA PREV THIS DRAWING IN DESIGN AND DETAIL IS OUR PROPERTY AND MUST NOT BE USED EXCEPT IN CONNECTION WITH OUR WORK. ALL RIGHTS OF DESIGN AND INVENTION ARE RESERVED. THIS IS AN ELECTRONICALLY GENERATED DOCUMENT - DO NOT SCALE THIS PRINT. RFP DIST										

EE7341C

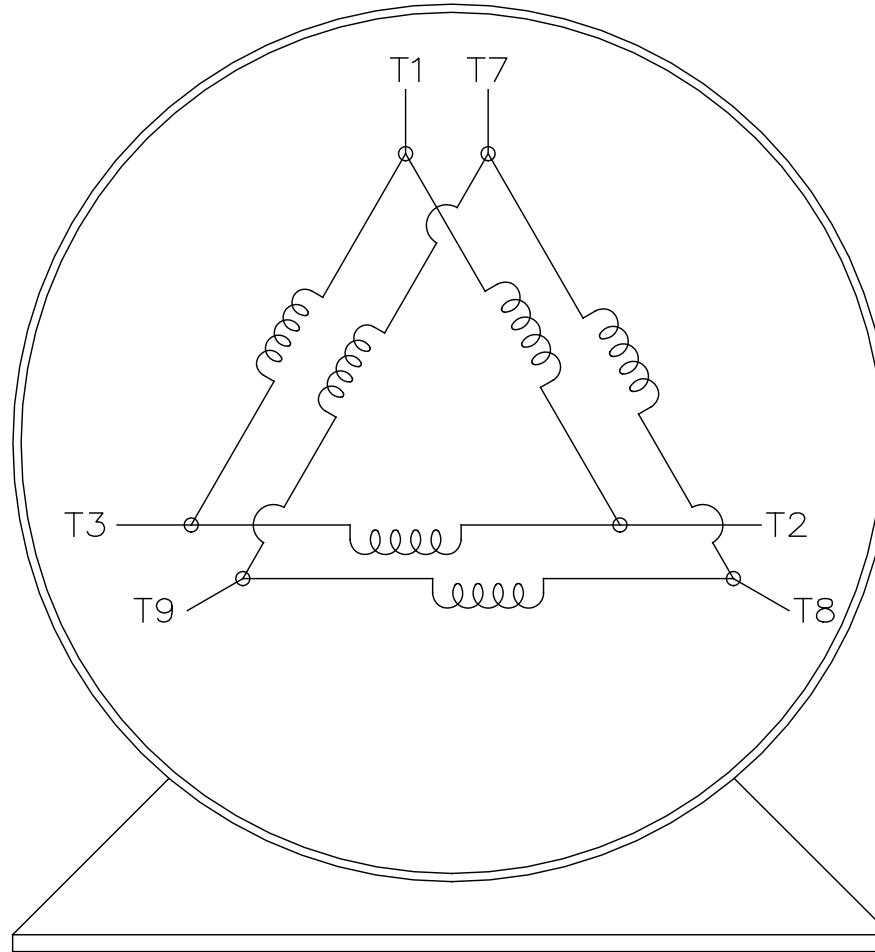
THREE PHASE – PART WINDING START  
DELTA – 6 LEADS

START


- CONNECT T1 TO LINE 1
- CONNECT T2 TO LINE 2
- CONNECT T3 TO LINE 3
- T7–T8–T9 OPEN

RUN

- CONNECT T1&T7 TO LINE 1
- CONNECT T2&T8 TO LINE 2
- CONNECT T3&T9 TO LINE 3



VIEW OF TERMINAL END

				TOLERANCES UNLESS SPECIFIED		 <b>REGAL - BELOIT CORPORATION</b>	DRAWN BLR 03-09-1998
				DEC.	INCHES		CHK ML 03-23-1998
				.X	± -		APPD GK 03-23-1998
				.XX	± -		SCALE 1=1
				.XXX	± -	TITLE	REF
						CONNECTION DIAGRAM	
						3Ø – 6 LEADS	
D	RE-DRAWN WITH REGAL LOGO	ECO-0110493	WGJ 09-30-2016	EMH	.XXXX	MAT'L.	FMF
NO.	REVISION	BY & DATE	CHK	ANG	± -	FINISH	PREV
THIS DRAWING IN DESIGN AND DETAIL IS OUR PROPERTY AND MUST NOT BE USED EXCEPT IN CONNECTION WITH OUR WORK ALL RIGHTS OF DESIGN AND INVENTION ARE RESERVED THIS IS AN ELECTRONICALLY GENERATED DOCUMENT – DO NOT SCALE THIS PRINT						RFP	CAD FILE EE7341C
						DIST	SIZE A
							DRAWING NO. EE7341C
							PAGE OF
							REV. D

**CERTIFICATION DATA SHEET**

**Model#:** 444TSTDC16003 AA      **WINDING#:** CHT44420002 NONE 1  
**CONN. DIAGRAM:** A-EE7341C      **ASSEMBLY:** F1/F2 CAPABLE  
**OUTLINE:** B-SS620256

**TYPICAL MOTOR PERFORMANCE DATA**

HP	KW	SYNC. RPM	F.L. RPM	FRAME	ENCLOSURE	KVA CODE	DESIGN
200&150	149&112	3600	3582&2982	444TS	DP	G	B

PH	Hz	VOLTS	FL AMPS	START TYPE	DUTY	INSL	S.F	AMB°C	ELEVATION
3	60/50	460#380	215&196	PWS & YDRUN OR INV	CONTINUOUS	F7	1.15/1.15	40	3300

FULL LOAD EFF: 95&95.4	3/4 LOAD EFF: 95	1/2 LOAD EFF: 94.5	GTD. EFF	ELEC. TYPE	NO LOAD AMPS
FULL LOAD PF: 90&90	3/4 LOAD PF: 89	1/2 LOAD PF: 85.5	94.5	SQ CAGE INV RATED	49.5

F.L. TORQUE	LOCKED ROTOR AMPS	L.R. TORQUE	B.D. TORQUE	F.L. RISE°C
294 LB-FT	1425	600 LB-FT 204	800 LB-FT 272	50

SOUND PRESSURE @ 3 FT.	SOUND POWER	ROTOR WK^2	MAX. WK^2	SAFE STALL TIME	STARTS /HOUR	APPROX. MOTOR WGT
86 dBA	96 dBA	40 LB-FT^2	160 LB-FT^2	15 SEC.	2	1800 LBS.

**\*\*\* SUPPLEMENTAL INFORMATION \*\*\***

DE BRACKET TYPE	ODE BRACKET TYPE	MOUNT TYPE	ORIENTATION	SEVERE DUTY	HAZARDOUS LOCATION	DRIP COVER	SCREENS	PAINT
STANDARD	STANDARD	RIGID	HORIZONTAL	FALSE	NONE	FALSE	NONE	BLUE (ENAMEL)

BEARINGS		GREASE	SHAFT TYPE	SPECIAL DE	SPECIAL ODE	SHAFT MATERIAL	FRAME MATERIAL
DE	OPE						
BALL	BALL	POLYREX EM	TS	NONE	NONE	1045 HOT ROLLED (C-204)	CAST IRON
6314	6314						

THERMO-PROTECTORS				THERMISTORS	CONTROL	SPACE /n HEATERS
THERMOSTATS	PROTECTORS	WDG RTDs	BRG RTDs			
NONE	NOT	NONE	NONE	NONE	FALSE	NONE VOLTS

If Inverter equals NONE, contact factory for further information

INVERTER TORQUE: VARIABLE 10:1
INV. HP SPEED RANGE: NONE
ENCODER: NONE
NONE NONE
NONE NONE PPR
BRAKE: NONE NONE
NONE P/N NONE
NONE NONE
NONE FT-LB NONE V NONE Hz

\*  
N  
O  
T  
E  
S  
\*

DATE: 06/21/2017 03:57:02 AM  
FORM 3531 REV.3 02/07/99

\*\* Subject to change without notice.

Data Sheet

Date: 20-06-2017  
 Customer: \_\_\_\_\_  
 Attention: \_\_\_\_\_  
 Submitted by: FAREEDA DUDEKULA



444TSTDC16003

Submittal  
 Data @ 460 V

Motor Load Data

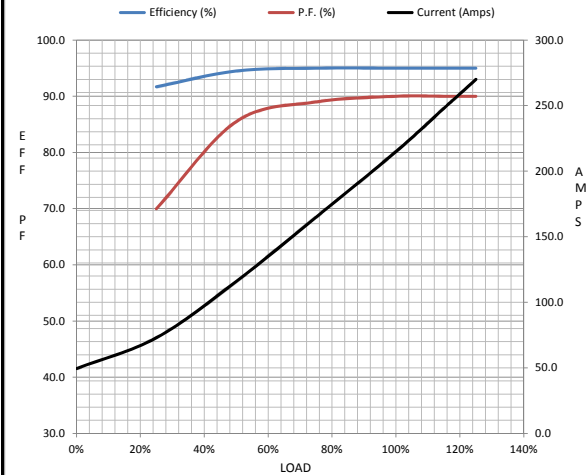
Load	0%	25%	50%	75%	100%	115%	125%	LR
Current (Amps)	49.5	73.0	116	165	215	248	270	1,425
Torque (ft-lb)	0.00	73.0	146	220	294	338	367	600
RPM	3600	3595	3590	3588	3582	3,578	3575	0
Efficiency (%)		91.7	94.5	95.0	95.0	95.0	95.0	
P.F. (%)	8.0	70.0	85.5	89.0	90.0	90.0	90.0	32.0

Motor Speed Data

	LR	Pull-Up	BD	Rated	Idle
Speed (RPM)	0	1800	3475	3582	3600
Current (Amps)	1,425	1,250	875	215	49.5
Torque (ft-lb)	600	500	800	294	0.00

Information Block

HP	200.0			
Sync. RPM	3600			
Frame	444			
Enclosure	DP			
Construction	TDC			
Voltage	460#380 V			
Frequency	60 Hz			
Design	A			
LR Code letter	G			
Service Factor	1.15			
Temp Rise @ FL	50 ° C			
Duty	CONT			
Ambient	40 ° C			
Elevation	1,000 feet			
Rotor/Shaft wk <sup>2</sup>	40.0 Lb-Ft <sup>2</sup>			
Ref Wdg	CHT44420002 NONE			
Sound Pressure @ 1M	86 dBA			
VFD Rating	VARIABLE 10:1			
Outline Dwg	B-SS620256			
Conn. Diag	A-EE7341C			
Additional Specifications:				
0				
365THFS8036				
EQUIV CKT (OHMS / PHASE)				
R1	R2	X1	X2	Xm
0.0120	0.0060	0.0990	0.1380	5.3820



Speed -Torque Curve

