

PRODUCT INFORMATION PACKET

marathon[®]
Motors

Model No: 365TSTDS4025
Catalog No: U526
100,3600,DP,365TS,3/60/230/460YD
Fire Pump



Regal and Marathon are trademarks of Regal Beloit Corporation or one of its affiliated companies.
©2018 Regal Beloit Corporation, All Rights Reserved. MC017097E

REGAL[®]



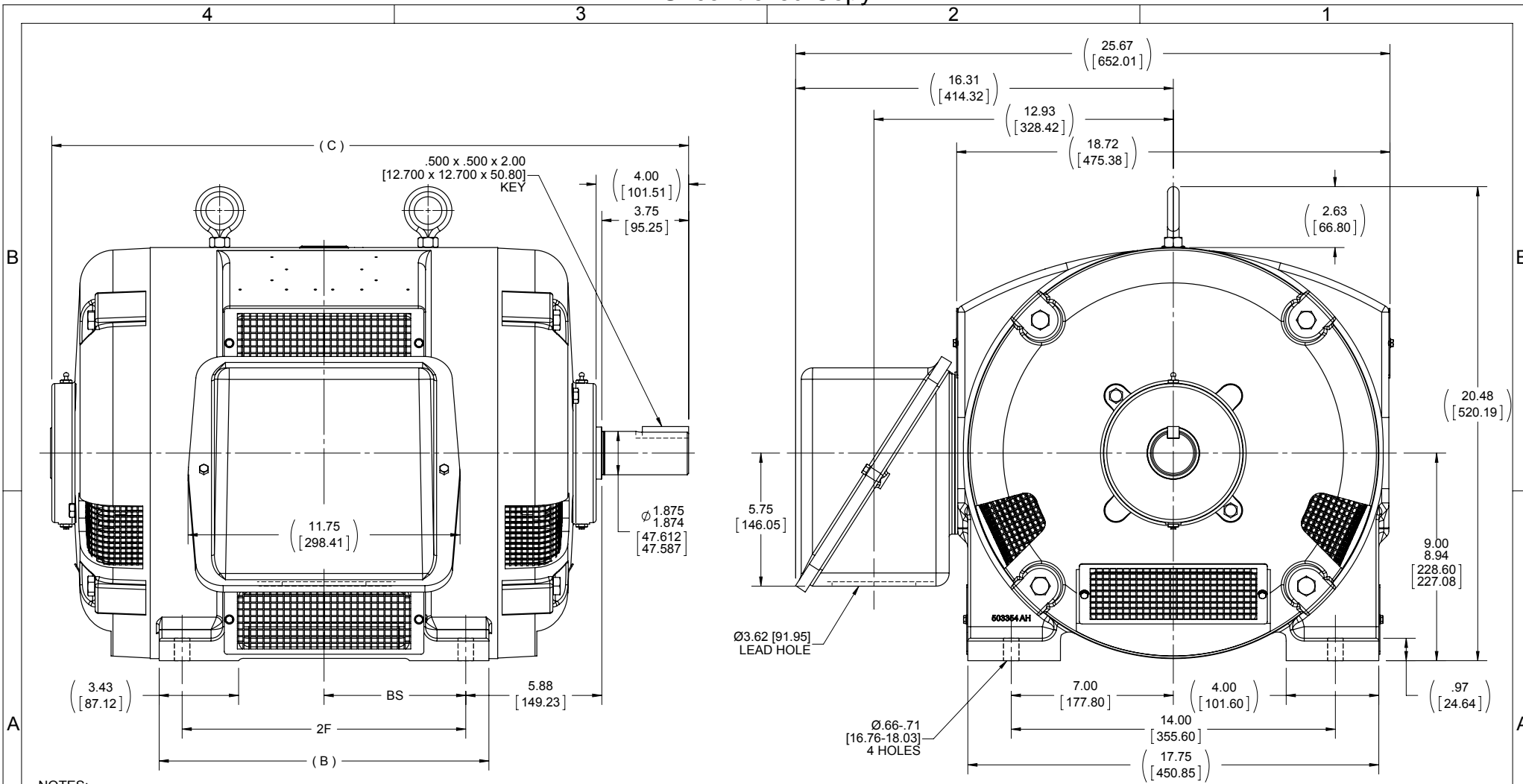
Nameplate Specifications

Output HP	100 Hp	Output KW	75.0 kW
Frequency	60 Hz	Voltage	230/460 V
Current	240.0/120.0 A	Speed	3550 rpm
Service Factor	1.15	Phase	3
Efficiency	93 %	Duty	Continuous
Insulation Class	B	Design Code	B
KVA Code	F	Frame	365TS
Enclosure	Drip Proof	Overload Protector	No
Ambient Temperature	50 °C	Drive End Bearing Size	6312
Opp Drive End Bearing Size	6312	UL	No
CSA	Y	CE	Y
IP Code	12		

Technical Specifications

Electrical Type	Squirrel Cage Induction Run	Starting Method	Wye Start Delta Run
Poles	2	Rotation	Reversible
Mounting	Rigid base	Motor Orientation	Horizontal
Drive End Bearing	Ball	Opp Drive End Bearing	Ball
Frame Material	Cast Iron	Shaft Type	TS
Overall Length	27.5 in	Frame Length	15.00 in
Shaft Diameter	1.875 in	Shaft Extension	4 in
Assembly/Box Mounting	F1/F2 Capable		
Outline Drawing	B-SS509966-1500	Connection Diagram	A-EE7308AA

This is an uncontrolled document once printed or downloaded and is subject to change without notice. Date Created: 06/29/2018



- NOTES:
 1. CONDUIT BOX CAN BE ROTATED IN 90° STEPS.
 2. CONDUIT BOX CAN BE MOUNTED ON OPPOSITE SIDE BY REMOVING BRACKETS AND TURNING FRAME 180°.
 3. NAMEPLATES TO BE READ FROM CONDUIT BOX SIDE OF MOTOR.
 4. DIMENSION IN [] DESIGNATE MILLIMETERS.

DASH	FRAME	B	C	2F	BS
1400	364TS	13.25 [336.55]	26.50 [673.10]	11.25 [285.75]	5.62 [142.75]
1500	365TS	14.25 [361.95]	27.50 [698.50]	12.25 [311.15]	6.12 [155.45]

DRAWING REVISION A	REVISION BY JJB	DATE 06-19-2014
ECO ECO-0053523	APPROVED BY TDB	DATE 06-19-2014
ECO DESCRIPTION UPDATED TO CURRENT STANDARDS		
COPYRIGHT REGAL BELOIT AMERICA, INC. ALL RIGHTS RESERVED. <small>PROPRIETARY AND CONFIDENTIAL INFORMATION - THIS DOCUMENT IS THE PROPERTY OF REGAL BELOIT AMERICA, INC. (OWNER) AND CONTAINS OWNER'S PROPRIETARY INFORMATION. ANY PERSON, CORPORATION OR OTHER FIRM RECEIVING IT IS DEEMED, BY RECEIVING IT, TO AGREE THAT IT, AND/OR ANY PART OF IT, SHALL NOT BE DISCLOSED TO ANY PERSON, CORPORATION OR OTHER ENTITY, DUPLICATED, AND/OR USED, EXCEPT AS EXPRESSLY APPROVED IN WRITING IN ADVANCE BY OWNER. THIS DOCUMENT SHALL BE RETURNED TO OWNER UPON REQUEST. IT MAY BE SUBJECT TO CERTAIN RESTRICTIONS UNDER APPLICABLE EXPORT CONTROL LAWS AND REGULATIONS.</small>		

TOLERANCES UNLESS OTHERWISE SPECIFIED:	
DEC.	INCH mm ANGLE
.X	±0.1 [±2.5] ±0.5°
.XX	±0.01 [±0.25]
.XXX	±0.005 [±0.127]
.XXXX	±0.0005 [±0.0127]
REMOVE BURRS & BREAK SHARP EDGES: .003/.015 [0.076/381] CORNER FILLETS: .02 [51] MACHINED SURFACES: 125/3.2 mm SHOWN IN [BRACKETS]	

DRAWN BY TLB	DATE 02-04-1988
APPROVED BY GK	DATE 02-04-1988
REFERENCE	THIRD ANGLE PROJECTION

REGAL ™ Regal Beloit America, Inc.	
DESCRIPTION OUTLINE 360TS & US FR - DR PR - SCREENED	
MATERIAL	PROCESS/FINISH
SIZE B	DRAWING NUMBER SS509966
SHEET 1 OF 1	



LOW VOLTAGE



HIGH VOLTAGE



DRAWING REVISION K	REVISION BY AJW	DATE 07-17-2015
ECO ECO-0081632	APPROVED BY T. VUE	DATE 07-17-2015
ECO DESCRIPTION REV'D IEC MARKINGS PER IEC 60034-8		
COPYRIGHT REGAL BELOIT AMERICA, INC. ALL RIGHTS RESERVED. PROPRIETARY AND CONFIDENTIAL INFORMATION - THIS DOCUMENT IS THE PROPERTY OF REGAL BELOIT AMERICA, INC. ("OWNER") AND CONTAINS OWNER'S PROPRIETARY INFORMATION. ANY PERSON, CORPORATION OR OTHER FIRM RECEIVING IT IS DEEMED, BY RECEIVING IT, TO AGREE THAT IT, AND/OR ANY PART OF IT, SHALL NOT BE DISCLOSED TO ANY PERSON, CORPORATION OR OTHER ENTITY, DUPLICATED, AND/OR USED, EXCEPT AS EXPRESSLY APPROVED IN WRITING IN ADVANCE BY OWNER. THIS DOCUMENT SHALL BE RETURNED TO OWNER UPON REQUEST. IT MAY BE SUBJECT TO CERTAIN RESTRICTIONS UNDER APPLICABLE EXPORT CONTROL LAWS AND REGULATIONS.		



DRAWN BY LZ	Regal Beloit America, Inc.		
DATE 01-12-1994	APPROVED BY GK		DESCRIPTION CONN DIAGRAM-EXTERNAL 3Ø-2/1 DELTA-12 LEADS
DATE 01-14-1994	REFERENCE		
THIRD ANGLE PROJECTION	SIZE A	DRAWING NUMBER EE7308AA	SHEET 1 OF 1

CERTIFICATION DATA SHEET

Model#: 365TSTDS4025 AV WINDING#: T365256 NONE 1
 CONN. DIAGRAM: A-EE7308AA ASSEMBLY: F1/F2 CAPABLE
 OUTLINE: B-SS509966-1500

TYPICAL MOTOR PERFORMANCE DATA

HP	KW	SYNC. RPM	F.L. RPM	FRAME	ENCLOSURE	KVA CODE	DESIGN
100&75	75&56	3600	3550&2960	365TS	DP	F	B

PH	Hz	VOLTS	FL AMPS	START TYPE	DUTY	INSL	S.F	AMB°C	ELEVATION
3	60/50	230/460#190/ 380	240/120&216/ 108	WYE START DELTA RUN	CONTINUOU S	B3	1.15/1.15	50	3300

FULL LOAD EFF: 93&91.7	3/4 LOAD EFF: 93	1/2 LOAD EFF: 92.4	GTD. EFF	ELEC. TYPE	NO LOAD AMPS
FULL LOAD PF: 83.5&84	3/4 LOAD PF: 82	1/2 LOAD PF: 77	91.7	SQ CAGE IND RUN	68 / 34

F.L. TORQUE	LOCKED ROTOR AMPS	L.R. TORQUE	B.D. TORQUE	F.L. RISE°C
148 LB-FT	1220 / 610	215 LB-FT 145	315 LB-FT 213	55

SOUND PRESSURE @ 3 FT.	SOUND POWER	ROTOR WK^2	MAX. WK^2	SAFE STALL TIME	STARTS /HOUR	APPROX. MOTOR WGT
80 dBA	90 dBA	6.9 LB-FT^2	58 LB-FT^2	12 SEC.	2	725 LBS.

*** SUPPLEMENTAL INFORMATION ***

DE BRACKET TYPE	ODE BRACKET TYPE	MOUNT TYPE	ORIENTATION	SEVERE DUTY	HAZARDOUS LOCATION	DRIP COVER	SCREENS	PAINT
STANDARD	STANDARD	RIGID	HORIZONTAL	FALSE	NONE	FALSE	NONE	RED (ENAMEL)

BEARINGS		GREASE	SHAFT TYPE	SPECIAL DE	SPECIAL ODE	SHAFT MATERIAL	FRAME MATERIAL
DE	OPE	POLYREX EM	TS	NONE	NONE	1045 HOT ROLLED (C-204)	CAST IRON
BALL	BALL						
6312	6312						

THERMO-PROTECTORS				THERMISTORS	CONTROL	SPACE /n HEATERS
THERMOSTATS	PROTECTORS	WDG RTDs	BRG RTDs	NONE	FALSE	NONE VOLTS
NONE	NOT	NONE	NONE			

If Inverter equals NONE, contact factory for further information

*
N
O
T
E
S
*

INVERTER TORQUE: NONE
INV. HP SPEED RANGE: NONE
ENCODER: NONE
NONE NONE
NONE NONE PPR
BRAKE: NONE NONE
NONE P/N NONE
NONE NONE
NONE FT-LB NONE V NONE Hz

DATE: 06/21/2017 08:53:44 AM
 FORM 3531 REV.3 02/07/99
 ** Subject to change without notice.

Data Sheet

3651STDs4025



Date: 6/29/2017
 Customer:
 Attention: FAREEDA DUDEKULA
 Submitted by:

Submital
 Data @ 460 V

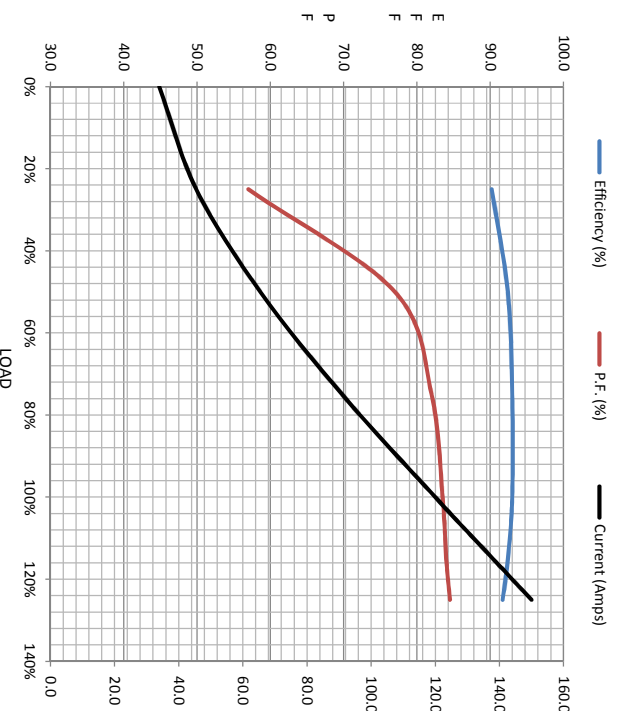
Load	Motor Load Data							
	0%	25%	50%	75%	100%	115%	125%	LR
Current (Amps)	34.0	45.5	65.5	91.0	120	138	150	610
Torque (ft-lb)	0.00	36.5	73.5	110	148	170	185	215
RPM	3600	3588	3575	3565	3550	3540	3530	0
Efficiency (%)		90.2	92.4	93.0	93.0	92.4	91.7	
P.F. (%)	8.0	57.0	77.0	82.0	83.5	84.0	84.5	32.0

Motor Speed Data

	LR	Pull-Up	BD	Rated	Idle
Speed (rpm)	0	1800	3425	3550	3600
Current (Amps)	610	525	375	120	34.0
Torque (ft-lb)	215	185	315	148	0.00

Information Block

HP	100.0			
Sync. RPM	3600			
Frame	365			
Enclosure	DP			
Construction	TDS			
Voltage	30/460#190/38 V			
Frequency	60 Hz			
Design	B			
LR Code letter	F			
Service Factor	1.15			
Temp Rise @ FL	55 °C			
Duty	CONT			
Ambient	40 °C			
Elevation	1,000 feet			
Rotor/Shaft wkt	6.9 Lb-Fe			
Ret Wdg	T365256 NONE			
Sound Pressure @ 1M	80 dBA			
VFD Rating	NONE			
Outline Dwg	B-SS509966-1500			
Conn. Diag	A-EET308AA			
Additional Specifications:				
0				
EQUIV CKT (OHMS/ PHASE)				
R1	R2	X1	X2	Xm
0.0430	0.0320	0.2770	0.2980	8.7750



Speed - Torque Curve

