

PRODUCT INFORMATION PACKET

marathon[®]
Motors

Model No: 326UTFS4026
Catalog No: P458
30,1800,TEFC,326U,3/60/460
Automotive Duty



Regal and Marathon are trademarks of Regal Beloit Corporation or one of its affiliated companies.
©2018 Regal Beloit Corporation, All Rights Reserved. MC017097E

REGAL[®]

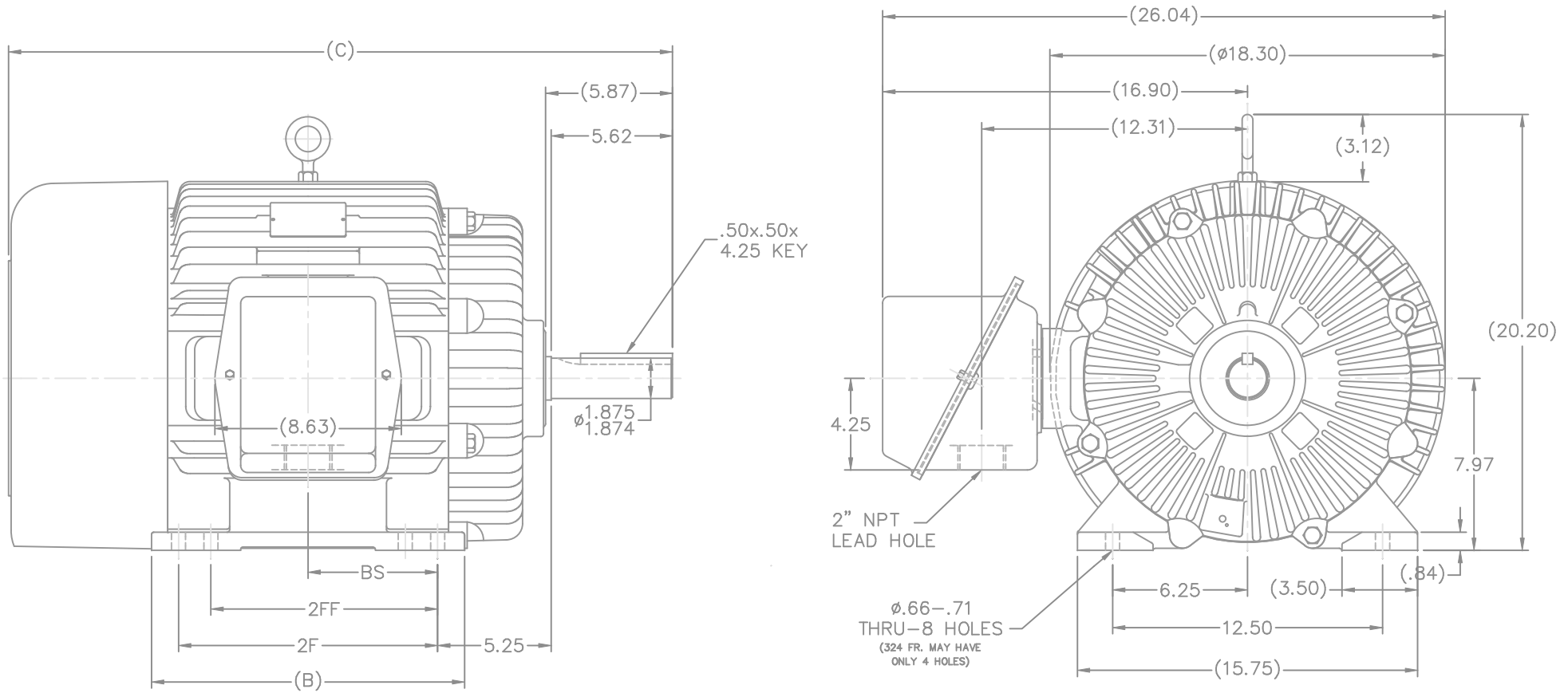
Nameplate Specifications

Output HP	30 Hp	Output KW	22.4 kW
Frequency	60 Hz	Voltage	460 V
Current	36.0 A	Speed	1780 rpm
Service Factor	1	Phase	3
Efficiency	94.1 %	Duty	Continuous
Insulation Class	F	Design Code	B
KVA Code	G	Frame	326U
Enclosure	Totally Enclosed Fan Cooled	Overload Protector	No
Ambient Temperature	65 °C	Drive End Bearing Size	6312
Opp Drive End Bearing Size	6311	UL	Recognized
CSA	Y	CE	Y
IP Code	43		

Technical Specifications

Electrical Type	Squirrel Cage Induction Run	Starting Method	Across The Line
Poles	4	Rotation	Reversible
Mounting	Rigid base	Motor Orientation	Horizontal
Drive End Bearing	Ball	Opp Drive End Bearing	Ball
Frame Material	Cast Iron	Shaft Type	U
Overall Length	30.74 in	Frame Length	13.00 in
Shaft Diameter	1.875 in	Shaft Extension	5.87 in
Assembly/Box Mounting	F1/F2 Capable		
Outline Drawing	B-SS311071-1300	Connection Diagram	A-EE7300

This is an uncontrolled document once printed or downloaded and is subject to change without notice. Date Created: 10/08/2018



NOTES:

1. CONDUIT BOX CAN BE ROTATED IN 90° STEPS.
2. CONDUIT BOX CAN BE MOUNTED ON OPPOSITE SIDE BY REMOVING BRACKETS AND TURNING FRAME 180°.
3. NAMEPLATE TO BE READ FROM CONDUIT BOX SIDE OF MOTOR.

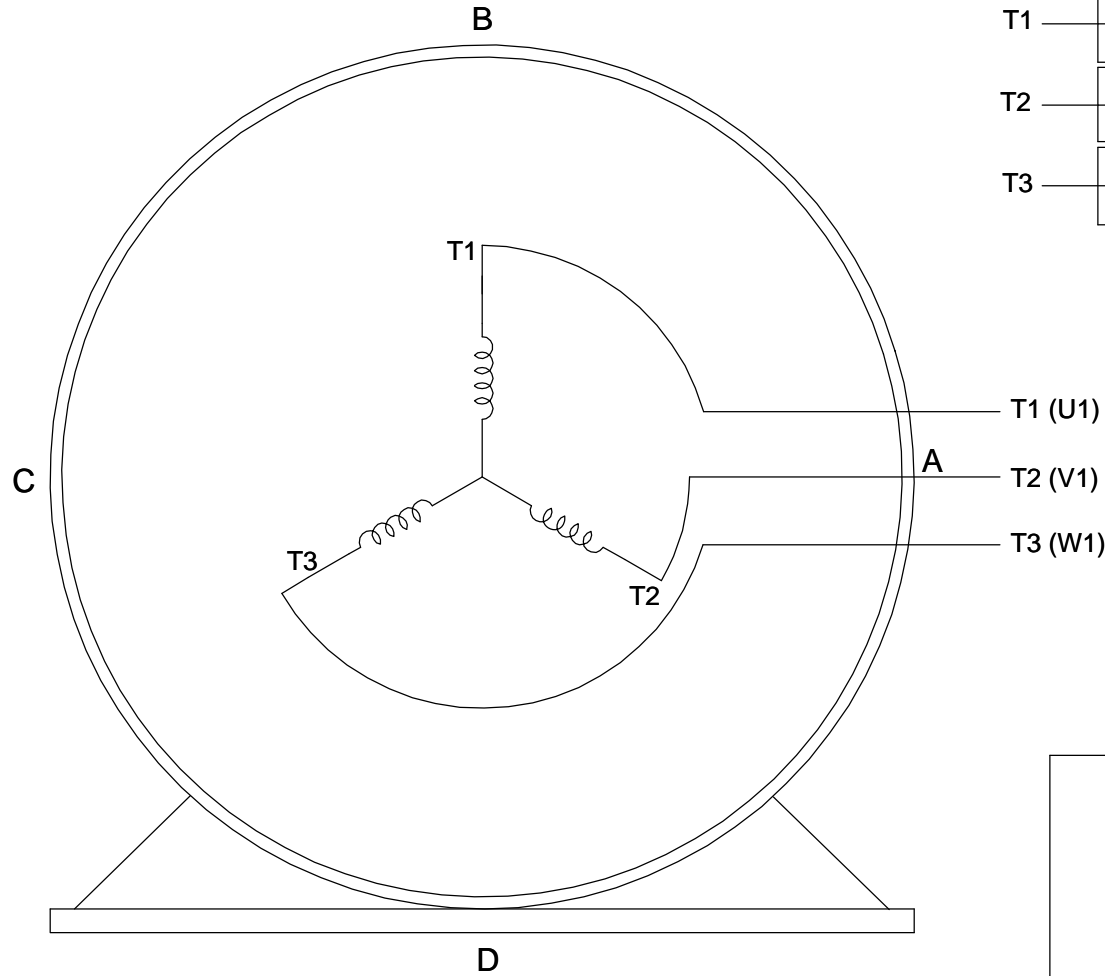
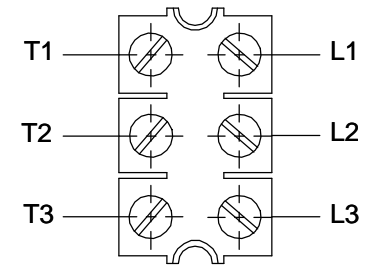
DASH	FR.	C	B	BS	2F	2FF
1150	324U	29.24	13.00	5.25	10.50	—
1300	324/6U	30.74	14.50	6.00	12.00	10.50
1450	326U	32.24	15.00	6.75	12.00	10.50

			TOLERANCES UNLESS SPECIFIED		MARATHON ELECTRIC	DRAWN KL 04-12-2001				
			DEC.	INCHES		CHK DJK 04-21-2001	APPD ML 04-12-2001			
			.X	±.1	TITLE OUTLINE - TEFC 320U FR. - CAST C'BOX	SCALE 7=32				
2	REDRAWN IN AUTOCAD	TAT 05-19-2005	.XX	±.03		REF				
1	NEW DRAWING MU36644	KL 04-12-2001	.XXX	±.005	FINISH	FMF				
NO.	REVISION	BY & DATE	CHK	ANG	±7'30"	PREV				
THIS DRAWING IN DESIGN AND DETAIL IS OUR PROPERTY AND MUST NOT BE USED EXCEPT IN CONNECTION WITH OUR WORK. ALL RIGHTS OF DESIGN AND INVENTION ARE RESERVED. THIS IS AN ELECTRONICALLY GENERATED DOCUMENT - DO NOT SCALE THIS PRINT					RFP	CAD FILE ss311071	SIZE B	DRAWING NO. SS311071	PAGE OF 2	REV.
			DIST	LB						

**THREE PHASE - SINGLE VOLTAGE
MOTOR - CONDUIT BOX @ 'A'**

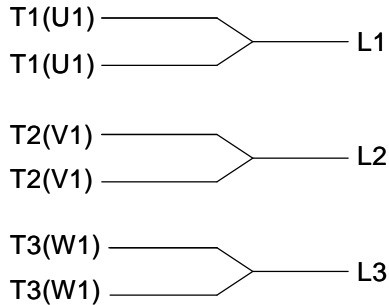
**TO REVERSE ROTATION:
INTERCHANGE ANY TWO
LINE LEAD CONNECTIONS.**

TERMINAL BLOCK WHEN SPECIFIED



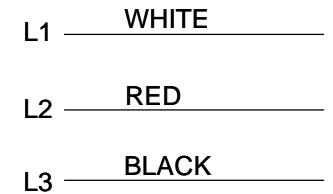
VIEW OF TERMINAL END

**IF MOTOR HAS
6 LEADS**



A-9806 DECAL

**OPTIONAL CORD
CONNECTION**



DRAWING REVISION AB	REVISION BY JJB	DATE 06-27-2017
ECO ECO-0125361	APPROVED BY TB	DATE 06-27-2017

ECO DESCRIPTION
UPDATED TO CURRENT STANDARDS
COPYRIGHT REGAL BELOIT AMERICA, INC. ALL RIGHTS RESERVED.
PROPRIETARY AND CONFIDENTIAL INFORMATION - THIS DOCUMENT IS THE PROPERTY OF
REGAL BELOIT AMERICA, INC. ("OWNER") AND CONTAINS OWNER'S PROPRIETARY
INFORMATION. ANY PERSON, CORPORATION OR OTHER FIRM RECEIVING IT IS DEEMED,
BY RECEIVING IT, TO AGREE THAT IT, AND/OR ANY PART OF IT, SHALL NOT BE DISCLOSED
TO ANY PERSON, CORPORATION OR OTHER ENTITY, DUPLICATED, AND/OR USED, EXCEPT
AS EXPRESSLY APPROVED IN WRITING IN ADVANCE BY OWNER. THIS DOCUMENT SHALL
BE RETURNED TO OWNER UPON REQUEST. IT MAY BE SUBJECT TO CERTAIN
RESTRICTIONS UNDER APPLICABLE EXPORT CONTROL LAWS AND REGULATIONS.

DRAWN BY DA	
DATE 03-26-1993	
APPROVED BY TB	
DATE 03-26-1993	
REFERENCE	
THIRD ANGLE PROJECTION	

		Regal Beloit America, Inc.	
DESCRIPTION CONNECTION DIAGRAM EXTERNAL - SINGLE VOLTAGE - 3Ø MOTOR			
MATERIAL		PROCESS/FINISH	
SIZE A	DRAWING NUMBER EE7300		SHEET 1 OF 1

Data Sheet

Date: 20-06-2017
 Customer: _____
 Attention: _____
 Submitted by: FAREEDA DUDEKULA



326UTFS4026

Submittal

Data @ 460 V

Motor Load Data

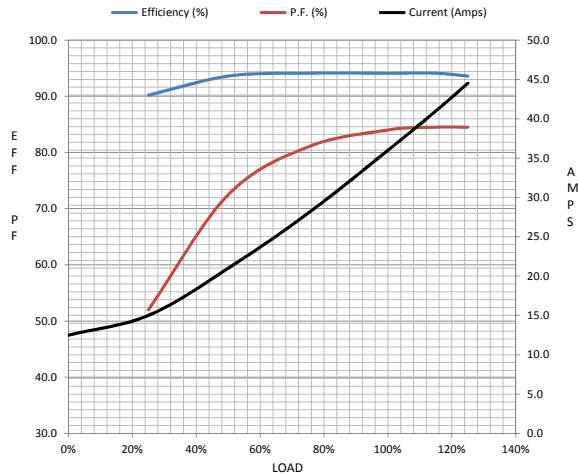
Load	0%	25%	50%	75%	100%	115%	125%	LR
Current (Amps)	12.5	15.0	21.0	28.0	36.0	41.0	44.5	210
Torque (ft-lb)	0.00	22.0	44.0	66.2	88.5	102	112	150
RPM	1800	1795	1790	1785	1780	1,775	1772	0
Efficiency (%)		90.2	93.6	94.1	94.1	94.1	93.6	
P.F. (%)	5.5	52.0	72.5	81.0	84.0	84.5	84.5	31.0

Motor Speed Data

	LR	Pull-Up	BD	Rated	Idle
Speed (RPM)	0	900	1700	1780	1800
Current (Amps)	210	190	120	36.0	12.5
Torque (ft-lb)	150	125	210	88.5	0.00

Information Block

HP	30.0			
Sync. RPM	1800			
Frame	324			
Enclosure	TEFC			
Construction	TFN			
Voltage	460 V			
Frequency	60 Hz			
Design	B			
LR Code letter	G			
Service Factor	1.15			
Temp Rise @ FL	45 ° C			
Duty	CONT			
Ambient	40 ° C			
Elevation	1,000 feet			
Rotor/Shaft wk ²	8.8 Lb-Ft ²			
Ref Wdg	K3244147 NONE			
Sound Pressure @ 1M	65 dBA			
VFD Rating	NONE			
Outline Dwg	B-SS311071-1300			
Conn. Diag	A-EE7300			
Additional Specifications:				
0				
365THFS8036				
EQUIV CKT (OHMS / PHASE)				
R1	R2	X1	X2	Xm
0.1000	0.0910	0.8510	1.2170	23.8110



Speed -Torque Curve

