

PRODUCT INFORMATION PACKET

marathon[®]
Motors

Model No: 286TTDCA6037
Catalog No: GT2431
30,1800,DP,286JP,3/60/230/460
JP



Regal and Marathon are trademarks of Regal Beloit Corporation or one of its affiliated companies.
©2018 Regal Beloit Corporation, All Rights Reserved. MC017097E

REGAL[®]

Product Information Packet: Model No: 286TTDCA6037, Catalog No:GT2431 30,1800,DP,286JP,3/60/230/460

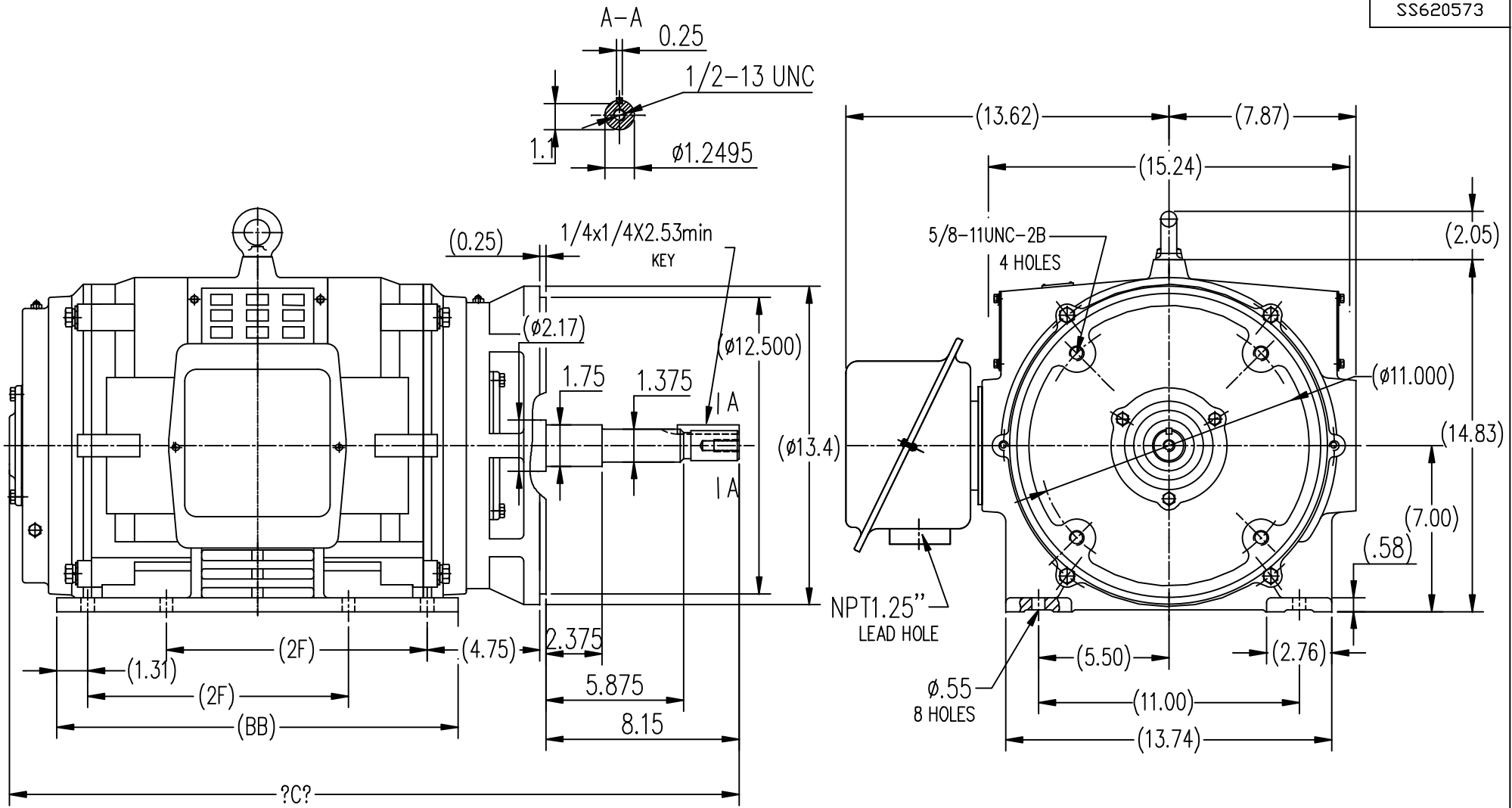
Nameplate Specifications

Output HP	30 Hp	Output KW	22.4 kW
Frequency	60 Hz	Voltage	230/460 V
Current	74.0/37.0 A	Speed	1775 rpm
Service Factor	1.15	Phase	3
Efficiency	94.1 %	Duty	Continuous
Insulation Class	F	Design Code	B
KVA Code	F	Frame	286JP
Enclosure	Drip Proof	Overload Protector	No
Ambient Temperature	40 °C	Drive End Bearing Size	6311
Opp Drive End Bearing Size	6210	UL	Recognized
CSA	Y	CE	Y
IP Code	12		

Technical Specifications

Electrical Type	Squirrel Cage Inverter Rated	Starting Method	Wye Start Delta Run Or Inverter
Poles	4	Rotation	Reversible
Mounting	Rigid Base	Motor Orientation	Horizontal
Drive End Bearing	Ball	Opp Drive End Bearing	Ball
Frame Material	Cast Iron	Shaft Type	JP
Overall Length	29.99 in	Shaft Diameter	1.25 in
Shaft Extension	8.15 in	Assembly/Box Mounting	F1/F2 Capable
Outline Drawing	SS620573	Connection Diagram	EE-7308AA

This is an uncontrolled document once printed or downloaded and is subject to change without notice. Date Created: 10/08/2018



284T	9.50	15.55	29.48
286T	11.00	16.93	29.99
FRAME	2F	BB	C

TOLERANCES UNLESS SPECIFIED		REGAL-BELOIT CORPORATION		DRAWN Lee 05-16-2012	
DEC.	INCHES	CHK	HPH	05-16-2012	
.X	$\pm .1$			APPD	JGX 05-16-2012
.XX	$\pm .03$			SCALE	1=6
.XXX	$\pm .005$			REF	
.XXXX	$\pm .0005$			FMF	HWADA
				PREV	
NO.	REVISION	BY & DATE	CHK	ANG	$\pm 1/2$
THIS DRAWING IN DESIGN AND DETAIL IS OUR PROPERTY AND MUST NOT BE USED EXCEPT IN CONNECTION WITH OUR WORK ALL RIGHTS OF DESIGN AND INVENTION ARE RESERVED THIS IS AN ELECTRONICALLY GENERATED DOCUMENT - DO NOT SCALE THIS PRINT			RFP	CAD FILE	SS620573
			DIST	SIZE	DRAWING NO.
				B	SS620573
					REV.

CERTIFICATION DATA SHEET

Model#: 286TTDCA6037 AA **WINDING#:** CHT28640004 NONE 2
CONN. DIAGRAM: EE-7308AA **ASSEMBLY:** F1/F2 CAPABLE
OUTLINE: SS620573

TYPICAL MOTOR PERFORMANCE DATA

HP	KW	SYNC. RPM	F.L. RPM	FRAME	ENCLOSURE	KVA CODE	DESIGN
30&25	22.4&18.7	1800	1775&1480	286JP	DP	F	B

PH	Hz	VOLTS	FL AMPS	START TYPE	DUTY	INSL	S.F	AMB°C	ELEVATION
3	60/50	230/460#190/380	74/37&74/37	Y START D RUN OR INV	CONTINUOUS	F7	1.15/1.15	40	3300

FULL LOAD EFF: 94.1&93.6	3/4 LOAD EFF: 94.1	1/2 LOAD EFF: 93.6	GTD. EFF	ELEC. TYPE	NO LOAD AMPS
FULL LOAD PF: 81&82.5	3/4 LOAD PF: 77	1/2 LOAD PF: 67	93.6	SQ CAGE INV RATED	30 / 15

F.L. TORQUE	LOCKED ROTOR AMPS	L.R. TORQUE	B.D. TORQUE	F.L. RISE°C
88.5 LB-FT	420 / 210	182 LB-FT 206	230 LB-FT 260	40

SOUND PRESSURE @ 3 FT.	SOUND POWER	ROTOR WK^2	MAX. WK^2	SAFE STALL TIME	STARTS /HOUR	APPROX. MOTOR WGT
75 dBA	85 dBA	4.8 LB-FT^2	175 LB-FT^2	20 SEC.	2	425 LBS.

***** SUPPLEMENTAL INFORMATION *****

DE BRACKET TYPE	ODE BRACKET TYPE	MOUNT TYPE	ORIENTATION	SEVERE DUTY	HAZARDOUS LOCATION	DRIP COVER	SCREENS	PAINT
C-FACE	STANDARD	RIGID	HORIZONTAL	FALSE	NONE	FALSE	NONE	BLUE (ENAMEL)

BEARINGS		GREASE	SHAFT TYPE	SPECIAL DE	SPECIAL ODE	SHAFT MATERIAL	FRAME MATERIAL
DE	OPE						
BALL	BALL	POLYREX EM	JP	NONE	NONE	1045 HOT ROLLED (C-204)	CAST IRON
6311	6210						

THERMO-PROTECTORS				THERMISTORS	CONTROL	SPACE /n HEATERS
THERMOSTATS	PROTECTORS	WDG RTDs	BRG RTDs			
NONE	NOT	NONE	NONE	NONE	FALSE	NONE VOLTS

If Inverter equals NONE, contact factory for further information

INVERTER TORQUE: VARIABLE 10:1
INV. HP SPEED RANGE: NONE
ENCODER: NONE
NONE NONE
NONE NONE PPR
BRAKE: NONE NONE
NONE P/N NONE
NONE NONE
NONE FT-LB NONE V NONE Hz

*
N
O
T
E
S
*

DATE: 06/27/2017 03:26:57 AM
 FORM 3531 REV.3 02/07/99

** Subject to change without notice.

Data Sheet

Date: 20-06-2017
 Customer: _____
 Attention: _____
 Submitted by: FAREEDA DUDEKULA



286TTDCA6037

Submittal

Data @ 460 V

Motor Load Data

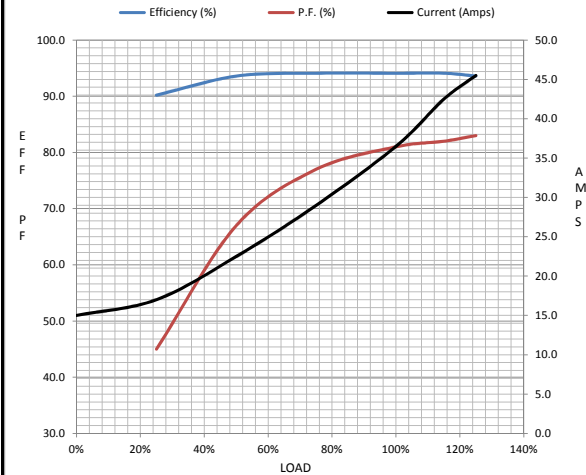
Load	0%	25%	50%	75%	100%	115%	125%	LR
Current (Amps)	15.0	17.0	22.5	29.0	36.5	42.5	45.5	210
Torque (ft-lb)	0.00	22.0	44.0	66.5	88.5	102	111	182
RPM	1800	1795	1790	1785	1775	1,772	1770	0
Efficiency (%)		90.2	93.6	94.1	94.1	94.1	93.6	
P.F. (%)	4.5	45.0	67.0	77.0	81.0	82.0	83.0	38.0

Motor Speed Data

	LR	Pull-Up	BD	Rated	Idle
Speed (RPM)	0	900	1675	1775	1800
Current (Amps)	210	190	125	36.5	15.0
Torque (ft-lb)	182	155	230	88.5	0.00

Information Block

HP	30.0			
Sync. RPM	1800			
Frame	286			
Enclosure	DP			
Construction	TDC			
Voltage	30/460#190/38V			
Frequency	60 Hz			
Design	B			
LR Code letter	F			
Service Factor	1.15			
Temp Rise @ FL	40 ° C			
Duty	CONT			
Ambient	40 ° C			
Elevation	1,000 feet			
Rotor/Shaft wk ²	4.8 Lb-Ft ²			
Ref Wdg	CHT28640004 NONE			
Sound Pressure @ 1M	75 dBA			
VFD Rating	VARIABLE 10:1			
Outline Dwg	SS620573			
Conn. Diag	EE-7308AA			
Additional Specifications:				
0				
365THFS8036				
EQUIV CKT (OHMS / PHASE)				
R1	R2	X1	X2	Xm
0.1610	0.1040	0.5950	1.0490	18.9950



Speed -Torque Curve

