

PRODUCT INFORMATION PACKET

Model No: 256TTDCA6001
Catalog No: GT0027
25,3600,DP,256T,3/60/230/460
Open Drip Proof (ODP)



Regal and Marathon are trademarks of Regal Beloit Corporation or one of its affiliated companies.
©2018 Regal Beloit Corporation, All Rights Reserved. MC017097E





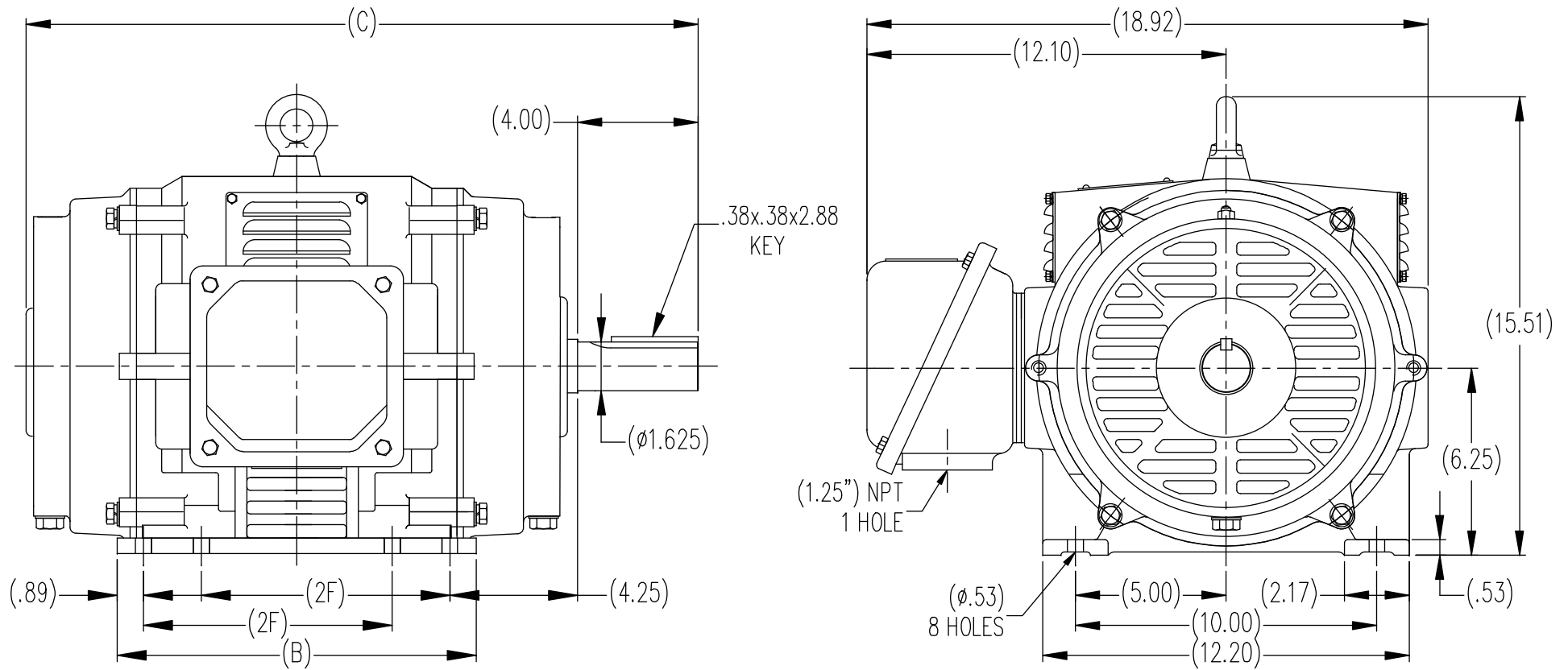
Nameplate Specifications

Output HP	25 Hp	Output KW	18.7 kW
Frequency	60 Hz	Voltage	230/460 V
Current	56/28 A	Speed	3525 rpm
Service Factor	1.15	Phase	3
Efficiency	91.7 %	Duty	CONTINUOUS
Insulation Class	F	Design Code	B
KVA Code	G	Frame	256T
Enclosure	DP	Overload Protector	NOT
Ambient Temperature	40 °C	Drive End Bearing Size	6209
Opp Drive End Bearing Size	6208	UL	Recognized
CSA	Y	CE	Y
IP Code	22		

Technical Specifications

Electrical Type	SQ CAGE INV RATED	Starting Method	LINE OR INVERTER
Poles	2	Rotation	REV
Mounting	RIGID	Motor Orientation	HORIZONTAL
Drive End Bearing	BALL	Opp Drive End Bearing	BALL
Frame Material	CAST IRON	Shaft Type	T
Overall Length	24.22 in	Shaft Diameter	1.63 in
Shaft Extension	4 in	Assembly/Box Mounting	F1/F2 CAPABLE
Outline Drawing	B-SS620237	Connection Diagram	A-EE7300K

This is an uncontrolled document once printed or downloaded and is subject to change without notice. Date Created: 04/05/2018



DIMENSIONS IN TABLE ARE CONSIDERED (REFERENCE)

(MAY NOT BE DRAWN TO SCALE)

254T	22.64	12.00	8.25
256T	24.22	13.59	10.00
FRAME	C	B	2F

TOLERANCES UNLESS SPECIFIED		REGAL REGAL-BELOIT CORPORATION	DRAWN MSG 12-25-2009				
DEC.	INCHES		CHK	TJW 12-16-2009			
.X	±.1	TITLE 254/256T FR. - ODP - CAST IRON	APPD	SB 12-16-2009			
.XX	±.03		SCALE	1=1			
.XXX	±.005		REF	FMF HUADA			
.XXXX	±.0005		PREV				
NO.	REVISION	BY & DATE	CHK	ANG			
THIS DRAWING IN DESIGN AND DETAIL IS OUR PROPERTY AND MUST NOT BE USED EXCEPT IN CONNECTION WITH OUR WORK ALL RIGHTS OF DESIGN AND INVENTION ARE RESERVED THIS IS AN ELECTRONICALLY GENERATED DOCUMENT - DO NOT SCALE THIS PRINT		RFP	CAD FILE	SS620237	SIZE	DRAWING NO.	REV.
		DIST			B	SS620237	

CERTIFICATION DATA SHEET

Model#: 256TTDCA6001 BA **WINDING#:** CHT25620002 NONE 1
CONN. DIAGRAM: A-EE7300K **ASSEMBLY:** F1/F2 CAPABLE
OUTLINE: B-SS620237

TYPICAL MOTOR PERFORMANCE DATA

HP	KW	SYNC. RPM	F.L. RPM	FRAME	ENCLOSURE	KVA CODE	DESIGN
25&20	18.7&14.9	3600	3525&2930	256T	DP	G	B

PH	Hz	VOLTS	FL AMPS	START TYPE	DUTY	INSL	S.F	AMB°C	ELEVATION
3	60/50	230/460#190/ 380	56/28&55/27.5	LINE OR INVERTER	CONTINUOU S	F7	1.15/1.0	40	3300

FULL LOAD EFF: 91.7&91	3/4 LOAD EFF: 91.7	1/2 LOAD EFF: 91	GTD. EFF	ELEC. TYPE	NO LOAD AMPS
FULL LOAD PF: 89&89	3/4 LOAD PF: 87	1/2 LOAD PF: 81	91	SQ CAGE INV RATED	16 / 8

F.L. TORQUE	LOCKED ROTOR AMPS	L.R. TORQUE	B.D. TORQUE	F.L. RISE°C
37 LB-FT	364 / 182	70 LB-FT 190	100 LB-FT 270	30

SOUND PRESSURE @ 3 FT.	SOUND POWER	ROTOR WK^2	MAX. WK^2	SAFE STALL TIME	STARTS /HOUR	APPROX. MOTOR WGT
75 dBA	85 dBA	1.6 LB-FT^2	- LB-FT^2	15 SEC.	2	360 LBS.

***** SUPPLEMENTAL INFORMATION *****

DE BRACKET TYPE	ODE BRACKET TYPE	MOUNT TYPE	ORIENTATION	SEVERE DUTY	HAZARDOUS LOCATION	DRIP COVER	SCREENS	PAINT
STANDARD	STANDARD	RIGID	HORIZONTAL	FALSE	NONE	FALSE	NONE	BLUE (ENAMEL)

BEARINGS		GREASE	SHAFT TYPE	SPECIAL DE	SPECIAL ODE	SHAFT MATERIAL	FRAME MATERIAL
DE	OPE						
BALL	BALL	POLYREX EM	T	NONE	NONE	1045 HOT ROLLED (C-204)	CAST IRON
6209	6208						

THERMO-PROTECTORS				THERMISTORS	CONTROL	SPACE /n HEATERS
THERMOSTATS	PROTECTORS	WDG RTDs	BRG RTDs			
NONE	NOT	NONE	NONE	NONE	FALSE	NONE VOLTS

If Inverter equals NONE, contact factory for further information

*
N
O
T
E
S
*

INVERTER TORQUE: VARIABLE 10:1 INV. HP SPEED RANGE: NONE
ENCODER: NONE NONE NONE NONE NONE PPR
BRAKE: NONE NONE NONE P/N NONE NONE NONE NONE FT-LB NONE V NONE Hz

DATE: 06/23/2017 05:04:01 AM
 FORM 3531 REV.3 02/07/99
 ** Subject to change without notice.

Data Sheet

Date: 16-06-2017
 Customer: _____
 Attention: _____
 Submitted by: FAREEDA DUDEKULA



256TTDCA6001

Submittal

Data @ 460 V

Motor Load Data

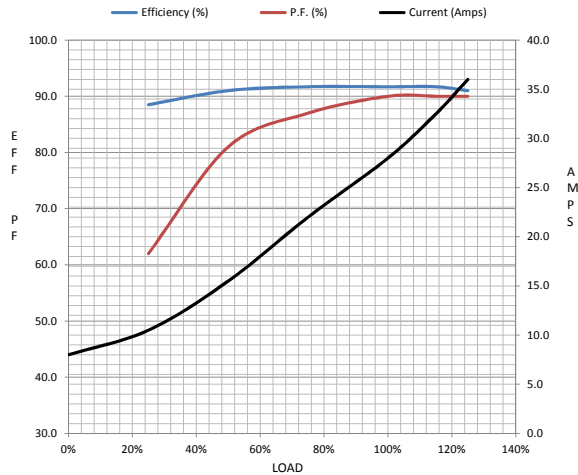
Load	0%	25%	50%	75%	100%	115%	125%	LR
Current (Amps)	8.0	10.5	15.5	22.0	28.0	32.5	36.0	182
Torque (ft-lb)	0.00	9.2	18.5	27.7	37.0	42.7	46.5	70.0
RPM	3600	3585	3570	3560	3545	3525	3505	0
Efficiency (%)		88.5	91.0	91.7	91.7	91.7	91.0	
P.F. (%)	8.0	62.0	81.0	87.0	90.0	90.0	90.0	38.5

Motor Speed Data

	LR	Pull-Up	BD	Rated	Idle
Speed (RPM)	0	1800	3300	3545	3600
Current (Amps)	182	165	110	28.0	8.0
Torque (ft-lb)	70.0	63.0	100	37.0	0.00

Information Block

HP	25.0			
Sync. RPM	3600			
Frame	256			
Enclosure	DP			
Construction	TDC			
Voltage	30/460#190/38V			
Frequency	60 Hz			
Design	A			
LR Code letter	G			
Service Factor	1.15			
Temp Rise @ FL	30 ° C			
Duty	CONT			
Ambient	40 ° C			
Elevation	1,000 feet			
Rotor/Shaft wk ²	1.60 Lb-Ft ²			
Ref Wdg	CHT25620002 NONE			
Sound Pressure @ 1M	75 dBA			
VFD Rating	VARIABLE 10:1			
Outline Dwg	B-SS620237			
Conn. Diag	A-EE7300K			
Additional Specifications:				
0				
365THFS8036				
EQUIV CKT (OHMS / PHASE)				
R1	R2	X1	X2	Xm
0.2210	0.1420	0.7780	0.9480	34.5190



Speed -Torque Curve

