

PRODUCT INFORMATION PACKET

marathon[®]
Motors

Model No: 254TTDCA6012
Catalog No: GT2424
20,3600,DP,254JP,3/60/230/460
JP



Regal and Marathon are trademarks of Regal Beloit Corporation or one of its affiliated companies.
©2018 Regal Beloit Corporation, All Rights Reserved. MC017097E

REGAL[®]



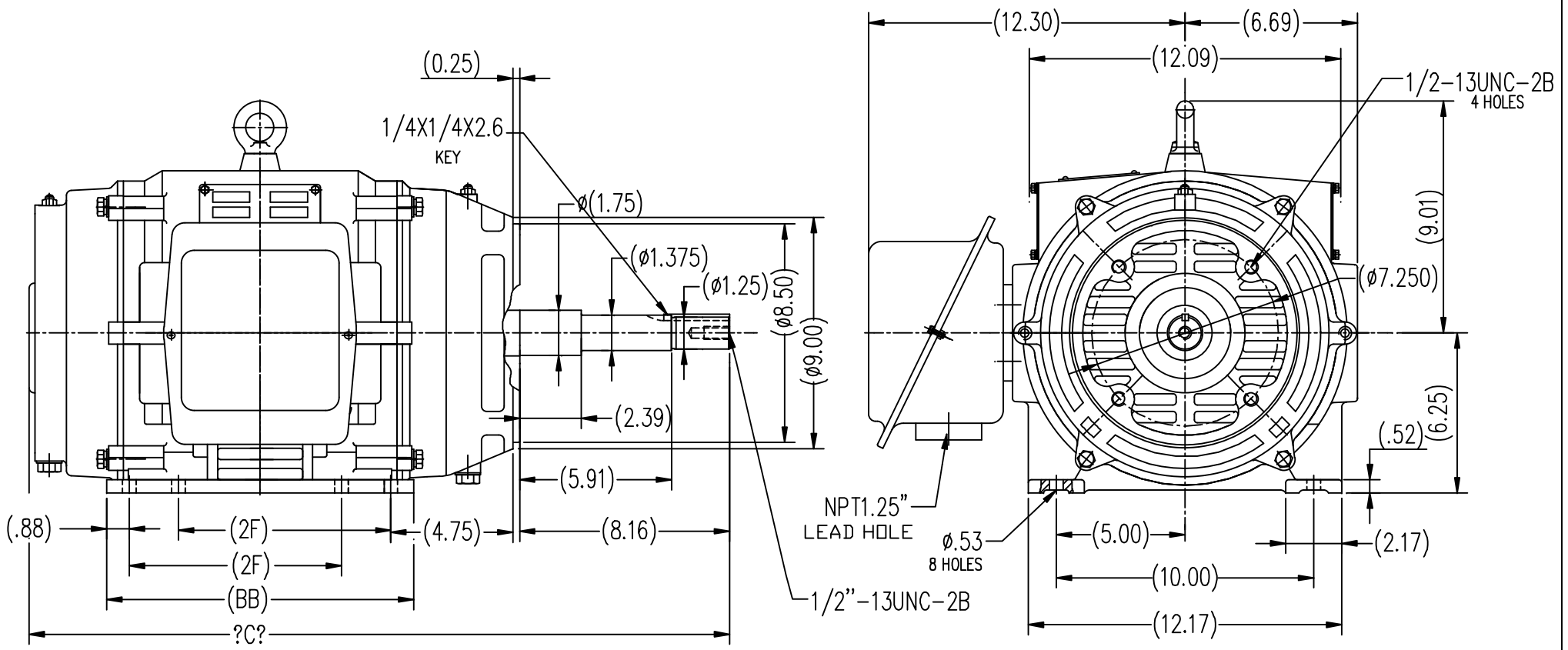
Nameplate Specifications

Output HP	20 Hp	Output KW	14.9 kW
Frequency	60 Hz	Voltage	230/460 V
Current	46.0/23.0 A	Speed	3545 rpm
Service Factor	1.15	Phase	3
Efficiency	91 %	Duty	Continuous
Insulation Class	F	Design Code	B
KVA Code	G	Frame	254JP
Enclosure	Drip Proof	Overload Protector	No
Ambient Temperature	40 °C	Drive End Bearing Size	6209
Opp Drive End Bearing Size	6209	UL	Recognized
CSA	Y	CE	Y
IP Code	22		


Technical Specifications

Electrical Type	Squirrel Cage Inverter Rated	Starting Method	Line Or Inverter
Poles	2	Rotation	Reversible
Mounting	Rigid base	Motor Orientation	Horizontal
Drive End Bearing	Ball	Opp Drive End Bearing	Ball
Frame Material	Cast Iron	Shaft Type	JP
Overall Length	27.32 in	Shaft Diameter	1.250 in
Shaft Extension	8.16 in	Assembly/Box Mounting	F1/F2 Capable
Outline Drawing	SS620572	Connection Diagram	EE7308K

This is an uncontrolled document once printed or downloaded and is subject to change without notice. Date Created: 06/29/2018



254T	8.25	12.00	27.32
256T	10.00	13.59	28.9
FRAME	2F	BB	C

			TOLERANCES UNLESS SPECIFIED		 REGAL-BELOIT CORPORATION		DRAWN LSJ 05-16-2012
			DEC.	INCHES			CHK
			.X	±.1	TITLE		APPD
			.XX	±.03	ODD-254/256JP FR-CAST IRON		SCALE 1=6
			.XXX	±.005	MAT'L.		REF
			.XXXX	±.0005	FINISH		FMF HWADA
NO.	REVISION	BY & DATE	CHK	ANG	±1/2	PREV	
THIS DRAWING IN DESIGN AND DETAIL IS OUR PROPERTY AND MUST NOT BE USED EXCEPT IN CONNECTION WITH OUR WORK ALL RIGHTS OF DESIGN AND INVENTION ARE RESERVED THIS IS AN ELECTRONICALLY GENERATED DOCUMENT - DO NOT SCALE THIS PRINT			RFP	CAD FILE	SS620572	SIZE	DRAWING NO.
			DIST			B	SS620572
							REV.

LOW VOLTAGE



HIGH VOLTAGE



VIEW OF TERMINAL END

				TOLERANCES UNLESS SPECIFIED		 REGAL - BELOIT CORPORATION	DRAWN PGK 06-04-1997						
NO.	REVISION	BY & DATE	CHK	ANG	±		UNIT	CHK	ML 06-05-1997				
E	CORRECTED IEC MARKINGS ECD-0111208	WGJ 01-23-2017	EMH	DEC.		INCHES							
D	RE-DRAWN WITH REGAL LOGO ECD-0110493	WGJ 09-30-2016	EMH	.X	±.1			APPD GK 06-15-1997					
8	ADDED IEC DESIGNATIONS MU95020	TJW 4/30/2010	MJS	.XX	±.02		TITLE	SCALE					
7	REVISED HIGH VOLTAGE L2 WAS L3 CN52600-354	MRB 09-21-1998		.XXX	±.005		CONNECTION DIAGRAM	REF					
6	REDRAWN ON CADD	PGK 06-05-1997		.XXXX	±.0005		DELTA CON. - 3Ø - 9 LEADS	FMF					
							MAT'L.	PREV					
							FINISH						
THIS DRAWING IN DESIGN AND DETAIL IS OUR PROPERTY AND MUST NOT BE USED EXCEPT IN CONNECTION WITH OUR WORK ALL RIGHTS OF DESIGN AND INVENTION ARE RESERVED THIS IS AN ELECTRONICALLY GENERATED DOCUMENT - DO NOT SCALE THIS PRINT							RFP	CAD FILE EE7308K	SIZE	DRAWING NO.	PAGE	OF	REV.
							DIST		A	EE7308K			E

CERTIFICATION DATA SHEET

Model#: 254TTDCA6012 AA WINDING#: CHT25420002 NONE 1
 CONN. DIAGRAM: EE7308K ASSEMBLY: F1/F2 CAPABLE
 OUTLINE: SS620572

TYPICAL MOTOR PERFORMANCE DATA

HP	KW	SYNC. RPM	F.L. RPM	FRAME	ENCLOSURE	KVA CODE	DESIGN
20&15	14.9&11.2	3600	3545&2940	254JP	DP	G	B

PH	Hz	VOLTS	FL AMPS	START TYPE	DUTY	INSL	S.F	AMB°C	ELEVATION
3	60/50	230/460#190/380	46/23&42/21	LINE OR INVERTER	CONTINUOUS	F7	1.15/1.15	40	3300

FULL LOAD EFF: 91&90.2	3/4 LOAD EFF: 90.2	1/2 LOAD EFF: 89.5	GTD. EFF	ELEC. TYPE	NO LOAD AMPS
FULL LOAD PF: 88&88	3/4 LOAD PF: 86	1/2 LOAD PF: 79	90.2	SQ CAGE INV RATED	14 / 7

F.L. TORQUE	LOCKED ROTOR AMPS	L.R. TORQUE	B.D. TORQUE	F.L. RISE°C
29.5 LB-FT	290 / 145	53 LB-FT 179	80 LB-FT 271	35

SOUND PRESSURE @ 3 FT.	SOUND POWER	ROTOR WK^2	MAX. WK^2	SAFE STALL TIME	STARTS /HOUR	APPROX. MOTOR WGT
75 dBA	85 dBA	1.35 LB-FT^2	- LB-FT^2	15 SEC.	3	300 LBS.

*** SUPPLEMENTAL INFORMATION ***

DE BRACKET TYPE	ODE BRACKET TYPE	MOUNT TYPE	ORIENTATION	SEVERE DUTY	HAZARDOUS LOCATION	DRIP COVER	SCREENS	PAINT
C-FACE	STANDARD	RIGID	HORIZONTAL	FALSE	NONE	FALSE	NONE	BLUE (ENAMEL)

BEARINGS		GREASE	SHAFT TYPE	SPECIAL DE	SPECIAL ODE	SHAFT MATERIAL	FRAME MATERIAL
DE	OPE	POLYREX EM	JP	NONE	NONE	1045 HOT ROLLED (C-204)	CAST IRON
BALL	BALL						
6209	6209						

THERMO-PROTECTORS				THERMISTORS	CONTROL	SPACE /n HEATERS
THERMOSTATS	PROTECTORS	WDG RTDs	BRG RTDs	NONE	FALSE	NONE VOLTS
NONE	NOT	NONE	NONE			

If Inverter equals NONE, contact factory for further information

INVERTER TORQUE: VARIABLE 10:1
INV. HP SPEED RANGE: NONE
ENCODER: NONE
NONE NONE
NONE NONE PPR
BRAKE: NONE NONE
NONE P/N NONE
NONE NONE
NONE FT-LB NONE V NONE Hz

*
N
O
T
E
S
*

DATE: 06/23/2017 02:38:27 AM
 FORM 3531 REV.3 02/07/99
 ** Subject to change without notice.

Data Sheet

Date: 19-06-2017
 Customer: _____
 Attention: _____
 Submitted by: FAREEDA DUDEKULA



254TTDCA6012

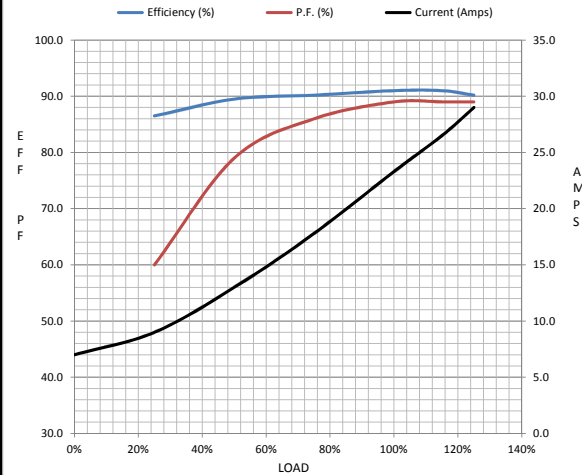
Submittal
 Data @ 460 V

Motor Load Data

Load	0%	25%	50%	75%	100%	115%	125%	LR
Current (Amps)	7.0	9.0	13.0	17.8	23.3	26.5	29.0	145
Torque (ft-lb)	0.00	7.4	14.7	22.2	29.5	34.2	37.2	53.0
RPM	3600	3585	3572	3560	3545	3.538	3530	0
Efficiency (%)		86.5	89.5	90.2	91.0	91.0	90.2	
P.F. (%)	7.5	60.0	79.0	86.0	89.0	89.0	89.0	38.5

Motor Speed Data

	LR	Pull-Up	BD	Rated	Idle	Information Block	
Speed (RPM)	0	1800	3260	3545	3600	HP	20.0
Current (Amps)	145	130	90.0	23.3	7.0	Sync. RPM	3600
Torque (ft-lb)	53.0	47.5	80.0	29.5	0.00	Frame	254
						Enclosure	DP
						Construction	TDC
						Voltage	30/460#190/38V
						Frequency	60 Hz
						Design	A
						LR Code letter	G
						Service Factor	1.15
						Temp Rise @ FL	35 ° C
						Duty	CONT
						Ambient	40 ° C
						Elevation	1,000 feet
						Rotor/Shaft wk²	1.35 Lb-Ft²
						Ref Wdg	CHT25420002 NONE
						Sound Pressure @ 1M	75 dBA
						VFD Rating	VARIABLE 10:1
						Outline Dwg	SS620572
						Conn. Diag	EE7308K



HP	20.0			
Sync. RPM	3600			
Frame	254			
Enclosure	DP			
Construction	TDC			
Voltage	30/460#190/38V			
Frequency	60 Hz			
Design	A			
LR Code letter	G			
Service Factor	1.15			
Temp Rise @ FL	35 ° C			
Duty	CONT			
Ambient	40 ° C			
Elevation	1,000 feet			
Rotor/Shaft wk²	1.35 Lb-Ft²			
Ref Wdg	CHT25420002 NONE			
Sound Pressure @ 1M	75 dBA			
VFD Rating	VARIABLE 10:1			
Outline Dwg	SS620572			
Conn. Diag	EE7308K			
Additional Specifications:				
0				
365THFS8036				
EQUIV CKT (OHMS / PHASE)				
R1	R2	X1	X2	Xm
0.2990	0.1800	1.0140	1.0820	38.3850

