

PRODUCT INFORMATION PACKET

marathon[®]
Motors

Model No: 215TTFB6013
Catalog No: GT3518
10,3600,TEFC,215JP,3/60/575
JP



Regal and Marathon are trademarks of Regal Beloit Corporation or one of its affiliated companies.
©2018 Regal Beloit Corporation, All Rights Reserved. MC017097E

REGAL[®]



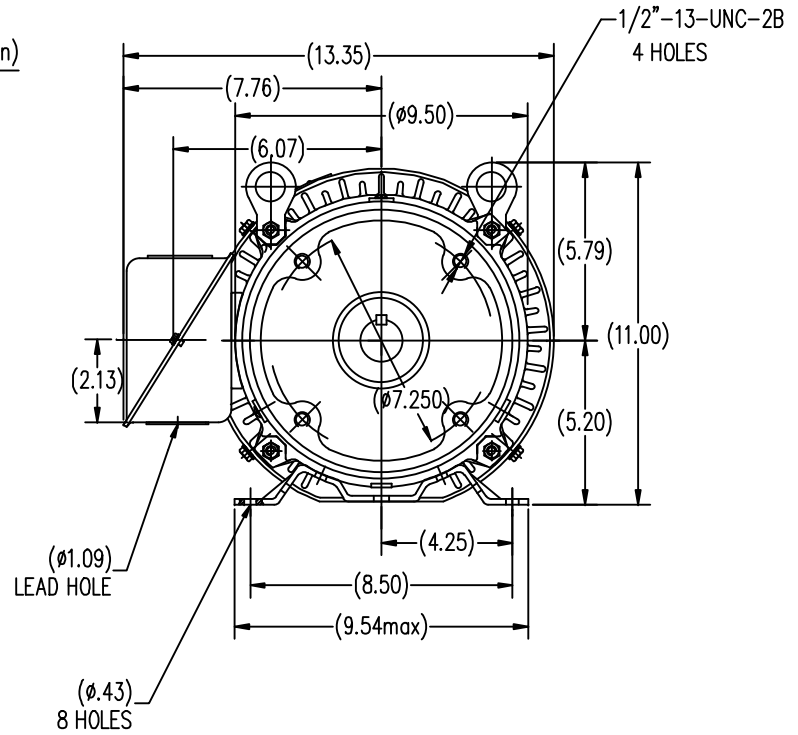
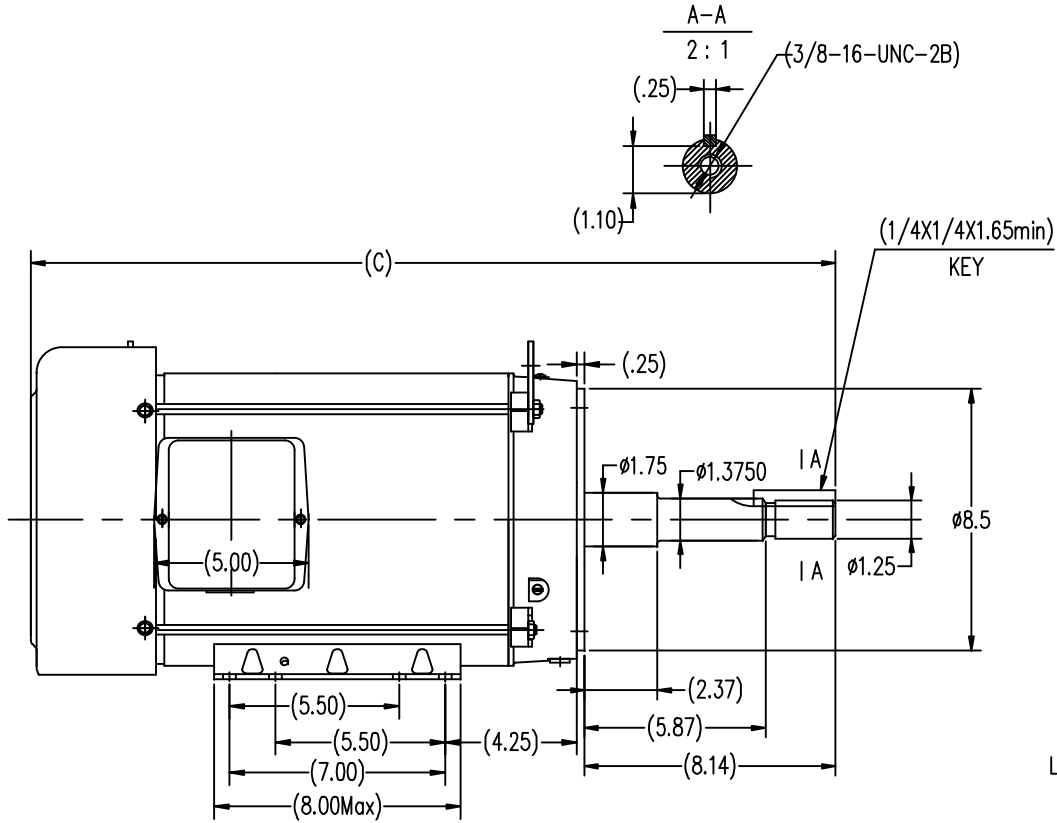
Nameplate Specifications

Output HP	10 Hp	Output KW	7.5 kW
Frequency	60 Hz	Voltage	575 V
Current	9.2 A	Speed	3505 rpm
Service Factor	1.15	Phase	3
Efficiency	91.7 %	Duty	Continuous
Insulation Class	F	Design Code	B
KVA Code	F	Frame	215JP
Enclosure	Totally Enclosed Fan Cooled	Overload Protector	No
Ambient Temperature	40 °C	Drive End Bearing Size	6307
Opp Drive End Bearing Size	6206	UL	Recognized
CSA	Y	CE	Y
IP Code	43		

Technical Specifications

Electrical Type	Squirrel Cage Inverter Rated	Starting Method	Line Or Inverter
Poles	2	Rotation	Reversible
Mounting	Rigid base	Motor Orientation	Horizontal
Drive End Bearing	Ball	Opp Drive End Bearing	Ball
Frame Material	Rolled Steel	Shaft Type	JP
Overall Length	26.03 in	Shaft Diameter	1.250 in
Shaft Extension	8.14 in	Assembly/Box Mounting	F1/F2 Capable
Outline Drawing	SS620563	Connection Diagram	EE7300

This is an uncontrolled document once printed or downloaded and is subject to change without notice. Date Created: 06/29/2018



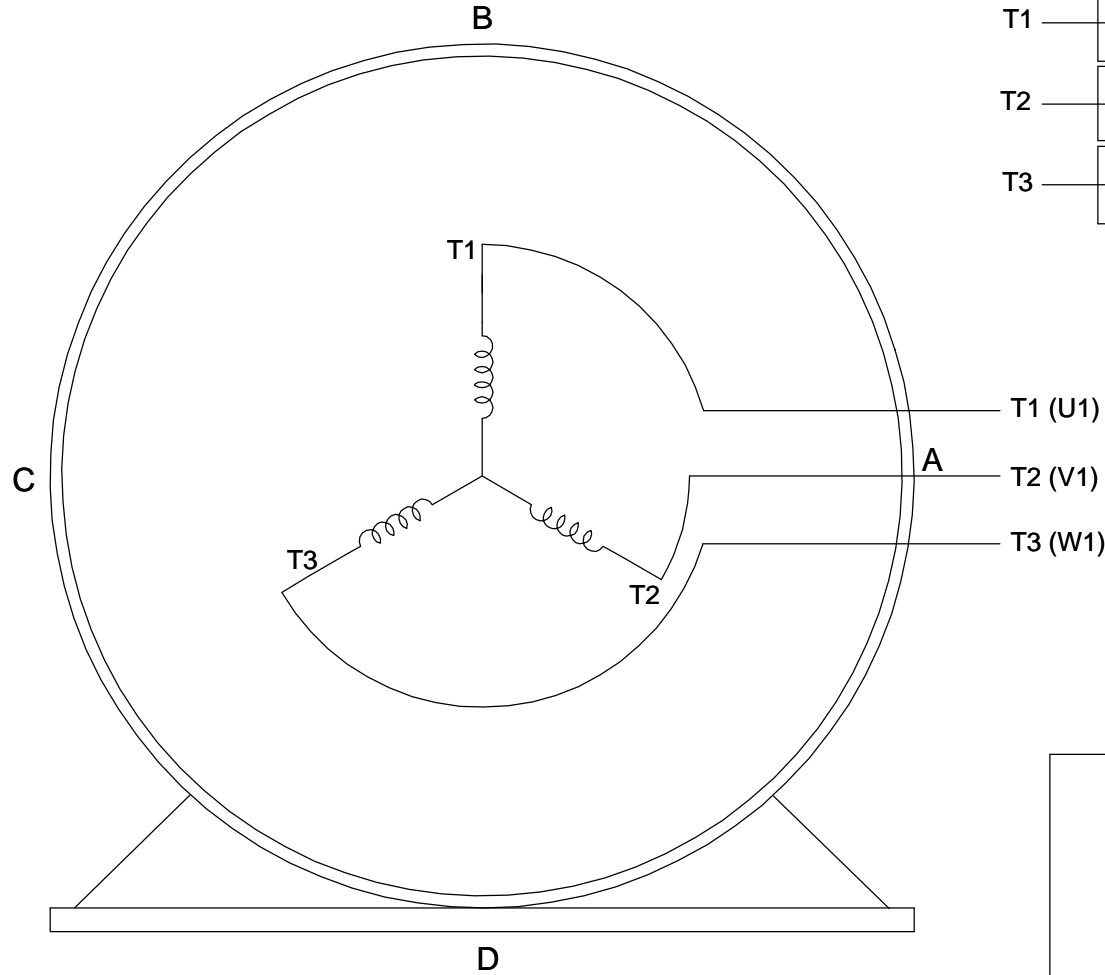
213TC	24.54
215TC	26.03
FRAME	C

		TOLERANCES UNLESS SPECIFIED				DRAWN Lee 05-16-2012			
		DEC.	INCHES			CHK HPH 05-16-2012			
		.X	±.1	TITLE		APPD JGX 05-16-2012			
		.XX	±.03	OUTLINE		SCALE	1=4		
		.XXX	±.005	TEFC-213/215JP FR-ROLLED STEEL		REF			
		.XXXX	±.0005	MAT'L		FMF HWADA			
NO.	REVISION	BY & DATE	CHK	ANG	±1/2	FINISH	PREV		
THIS DRAWING IN DESIGN AND DETAIL IS OUR PROPERTY AND MUST NOT BE USED EXCEPT IN CONNECTION WITH OUR WORK ALL RIGHTS OF DESIGN AND INVENTION ARE RESERVED THIS IS AN ELECTRONICALLY GENERATED DOCUMENT - DO NOT SCALE THIS PRINT				RFP	CAD FILE	SS620563	SIZE	DRAWING NO.	REV.
				DIST			B	SS620563	

**THREE PHASE - SINGLE VOLTAGE
MOTOR - CONDUIT BOX @ 'A'**

**TO REVERSE ROTATION:
INTERCHANGE ANY TWO
LINE LEAD CONNECTIONS.**

TERMINAL BLOCK WHEN SPECIFIED



VIEW OF TERMINAL END

**IF MOTOR HAS
6 LEADS**



A-9806 DECAL

**OPTIONAL CORD
CONNECTION**

- L1 _____ WHITE _____
- L2 _____ RED _____
- L3 _____ BLACK _____

DRAWING REVISION AB	REVISION BY JJB	DATE 06-27-2017
ECO ECO-0125361	APPROVED BY TB	DATE 06-27-2017
ECO DESCRIPTION UPDATED TO CURRENT STANDARDS		
<small>COPYRIGHT REGAL BELOIT AMERICA, INC. ALL RIGHTS RESERVED. PROPRIETARY AND CONFIDENTIAL INFORMATION - THIS DOCUMENT IS THE PROPERTY OF REGAL BELOIT AMERICA, INC. ("OWNER") AND CONTAINS OWNER'S PROPRIETARY INFORMATION. ANY PERSON, CORPORATION OR OTHER FIRM RECEIVING IT IS DEEMED, BY RECEIVING IT, TO AGREE THAT IT, AND/OR ANY PART OF IT, SHALL NOT BE DISCLOSED TO ANY PERSON, CORPORATION OR OTHER ENTITY, DUPLICATED, AND/OR USED, EXCEPT AS EXPRESSLY APPROVED IN WRITING IN ADVANCE BY OWNER. THIS DOCUMENT SHALL BE RETURNED TO OWNER UPON REQUEST. IT MAY BE SUBJECT TO CERTAIN RESTRICTIONS UNDER APPLICABLE EXPORT CONTROL LAWS AND REGULATIONS.</small>		



DRAWN BY DA	 Regal Beloit America, Inc.
DATE 03-26-1993	
APPROVED BY TB	DESCRIPTION CONNECTION DIAGRAM EXTERNAL - SINGLE VOLTAGE - 3Ø MOTOR
DATE 03-26-1993	MATERIAL
REFERENCE	PROCESS/FINISH
THIRD ANGLE PROJECTION	SIZE A
	DRAWING NUMBER EE7300
	SHEET 1 OF 1

CERTIFICATION DATA SHEET

Model#: 215TTFB6013 AA **WINDING#:** CHT21520005 NONE 3
CONN. DIAGRAM: EE7300 **ASSEMBLY:** F1/F2 CAPABLE
OUTLINE: SS620563

TYPICAL MOTOR PERFORMANCE DATA

HP	KW	SYNC. RPM	F.L. RPM	FRAME	ENCLOSURE	KVA CODE	DESIGN
10	7.50	3600	3505	215JP	TEFC	F	B

PH	Hz	VOLTS	FL AMPS	START TYPE	DUTY	INSL	S.F	AMB°C	ELEVATION
3	60	575	9.2	LINE OR INVERTER	CONTINUOUS	F7	1.15	40	3300

FULL LOAD EFF: 91.7	3/4 LOAD EFF: 92.4	1/2 LOAD EFF: 92.4	GTD. EFF	ELEC. TYPE	NO LOAD AMPS
FULL LOAD PF: 89.5	3/4 LOAD PF: 86	1/2 LOAD PF: 79	88.5	SQ CAGE INV RATED	2.8

F.L. TORQUE	LOCKED ROTOR AMPS	L.R. TORQUE	B.D. TORQUE	F.L. RISE°C
15 LB-FT	64	31 LB-FT 207	50 LB-FT 290	50

SOUND PRESSURE @ 3 FT.	SOUND POWER	ROTOR WK^2	MAX. WK^2	SAFE STALL TIME	STARTS /HOUR	APPROX. MOTOR WGT
72 dBA	82 dBA	0.4 LB-FT^2	18 LB-FT^2	15 SEC.	2	190 LBS.

***** SUPPLEMENTAL INFORMATION *****

DE BRACKET TYPE	ODE BRACKET TYPE	MOUNT TYPE	ORIENTATION	SEVERE DUTY	HAZARDOUS LOCATION	DRIP COVER	SCREENS	PAINT
C-FACE	STANDARD	RIGID	HORIZONTAL	FALSE	NONE	FALSE	NONE	BLUE (ENAMEL)

BEARINGS		GREASE	SHAFT TYPE	SPECIAL DE	SPECIAL ODE	SHAFT MATERIAL	FRAME MATERIAL
DE	OPE						
BALL	BALL	POLYREX EM	JP	NONE	NONE	1045 HOT ROLLED (C-204)	ROLLED STEEL
6307	6206						

THERMO-PROTECTORS				THERMISTORS	CONTROL	SPACE /n HEATERS
THERMOSTATS	PROTECTORS	WDG RTDs	BRG RTDs			
NONE	NOT	NONE	NONE	NONE	FALSE	NONE VOLTS

If Inverter equals NONE, contact factory for further information

INVERTER TORQUE: VARIABLE 10:1
INV. HP SPEED RANGE: NONE
ENCODER: NONE
NONE NONE
NONE NONE PPR
BRAKE: NONE NONE
NONE P/N NONE
NONE NONE
NONE FT-LB NONE V NONE Hz

*
N
O
T
E
S
*

DATE: 06/22/2017 07:40:33 AM
 FORM 3531 REV.3 02/07/99
 ** Subject to change without notice.

Data Sheet

215TTFB6013



Date: 6/29/2017
 Customer:
 Attention:
 Submitted by: FAREEDA DUDEKULA

215TTFB6013
 Submittal
 Data @ 575 V

Load	Motor Load Data							
	0%	25%	50%	75%	100%	115%	125%	LR
Current (Amps)	2.80	3.6	5.2	7.0	9.3	10.2	11.6	64.0
Torque (ft-lb)	0.00	3.7	7.4	11.2	15.0	17.3	18.9	31.0
RPM	3600	3580	3570	3550	3525	3510	3500	0
Efficiency (%)		89.5	92.4	92.4	90.2	91.0	90.2	
P.F. (%)		59.0	79.0	86.0	90.0	90.0	90.5	43.0

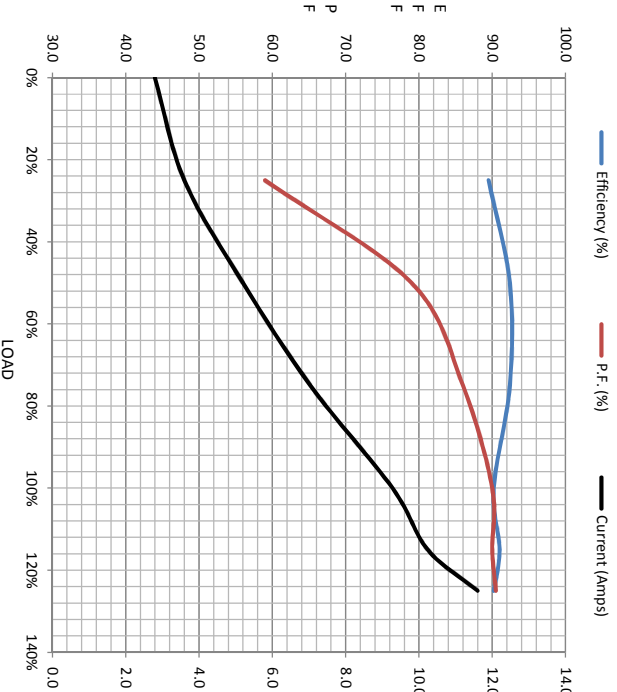
Motor Speed Data

	LR	Pull-Up	BD	Rated	Idle
Speed (rpm)	0	1800	3075	3525	3600
Current (Amps)	64.0	53.6	39.2	9.3	2.80
Torque (ft-lb)	31.0	25.0	50.0	15.0	0.00

Information Block

HP	10.0
Sync. RPM	3600
Frame	215
Enclosure	TEFC
Construction	TFB
Voltage	575 V
Frequency	60 Hz
Design	B
LR Code letter	G
Service Factor	1.15
Temp Rise @ FL	80 °C
Duty	CONT
Ambient	40 °C
Elevation	1,000 feet
Rotor/Shaft wkt	0.40 Lb-Fe
Rel Wdg	CHT21520005 NONE
Sound Pressure @ 1M	72 dBA
VFD Rating	VARIABLE 10:1
Outline Dwg	SS620563
Conn. Diag	EE7300
Additional Specifications:	
0	
0	

EQUIV CKT (OHMS / PHASE)				
R1	R2	X1	X2	Xm
0.6880	0.6430	2.4850	2.6180	127.5780



Speed - Torque Curve

