

PRODUCT INFORMATION PACKET

Model No: 215TTDB6085
Catalog No: GT2414
5,1200,DP,215JP,3/60/230/460
JP



Regal and Marathon are trademarks of Regal Beloit Corporation or one of its affiliated companies.
©2018 Regal Beloit Corporation, All Rights Reserved. MC017097E





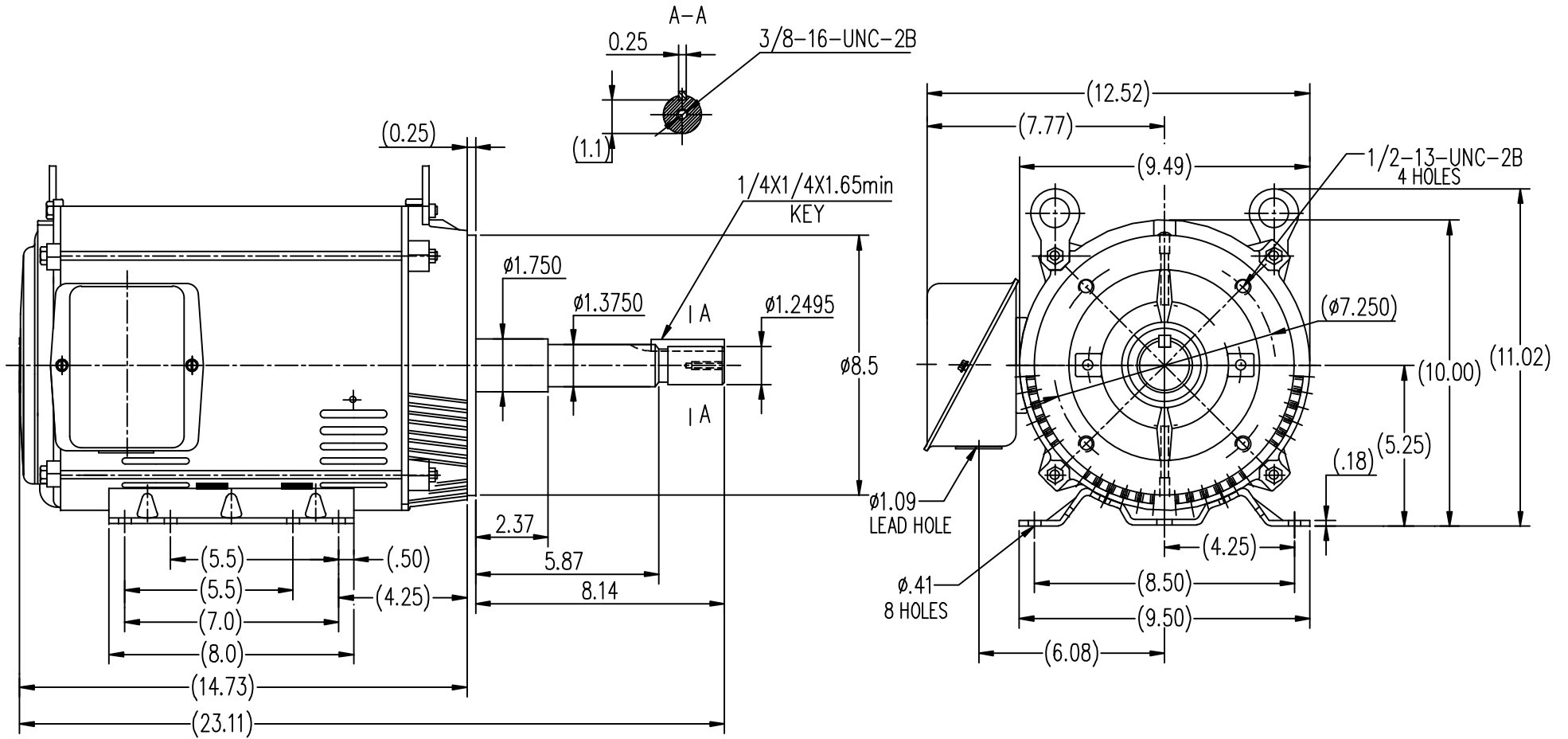
Nameplate Specifications

| | | | |
|----------------------------|-------------------|------------------------|-------------------|
| Output HP | 5 Hp | Output KW | 3.7 kW |
| Frequency | 60 Hz | Voltage | 230/460 V |
| Current | 14.0/7.0 A | Speed | 1178 rpm |
| Service Factor | 1.15 | Phase | 3 |
| Efficiency | 89.5 % | Duty | Continuous |
| Insulation Class | F | Design Code | B |
| KVA Code | G | Frame | 215JPV |
| Enclosure | Drip Proof | Overload Protector | No |
| Ambient Temperature | 40 °C | Drive End Bearing Size | 6307 |
| Opp Drive End Bearing Size | 6206 | UL | Recognized |
| CSA | Y | CE | Y |
| IP Code | 22 | | |

Technical Specifications

| | | | |
|-------------------|-------------------------------------|-----------------------|---------------------------------|
| Electrical Type | Squirrel Cage Inverter Rated | Starting Method | Line Or Inverter |
| Poles | 6 | Rotation | Reversible |
| Mounting | Rigid base | Motor Orientation | Horizontal Or Shaft Down |
| Drive End Bearing | Ball | Opp Drive End Bearing | Ball |
| Frame Material | Rolled Steel | Shaft Type | JP |
| Overall Length | 23.11 in | Shaft Diameter | 1.250 in |
| Shaft Extension | 8.14 in | Assembly/Box Mounting | F1/F2 Capable |
| Outline Drawing | SS620571 | Connection Diagram | EE7308 |

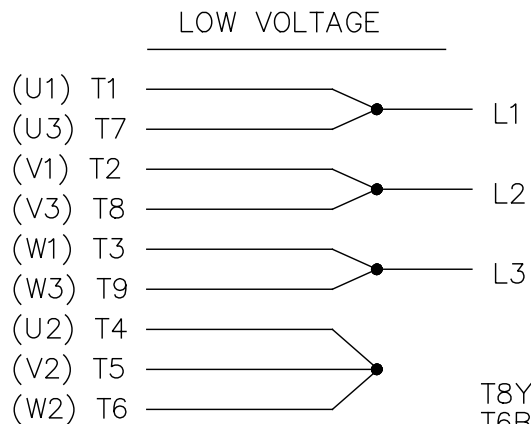
This is an uncontrolled document once printed or downloaded and is subject to change without notice. Date Created: 06/29/2018



| | | | | | |
|--|----------|-----------------------------|--------------|-------------------|----------------------|
| | | TOLERANCES UNLESS SPECIFIED | | | DRAWN Lee 05-16-2012 |
| | | DEC. | INCHES | | CHK HPH 05-16-2012 |
| | | .X | ±.1 | | APPD JGX 05-16-2012 |
| | | .XX | ±.03 | | SCALE 1=5 |
| | | .XXX | ±.005 | | REF |
| | | .XXXX | ±.0005 | MAT'L | FMF HWADA |
| NO. | REVISION | BY & DATE | CHK ANG ±1/2 | FINISH | PREV |
| THIS DRAWING IN DESIGN AND DETAIL IS OUR PROPERTY AND MUST NOT BE USED EXCEPT IN CONNECTION WITH OUR WORK ALL RIGHTS OF DESIGN AND INVENTION ARE RESERVED THIS IS AN ELECTRONICALLY GENERATED DOCUMENT - DO NOT SCALE THIS PRINT | | | RFP | CAD FILE SS620571 | SIZE B |
| | | | DIST | | DRAWING NO. SS620571 |
| | | | | | REV. |

EE7308

THREE PHASE
DUAL VOLTAGE MOTOR



VIEW OF TERMINAL END

REF.
WINDING DIAGRAM

T8Y, T2Y, T2BL, T4BX, T2EC, T2G
T6BZ, T2B, T6BL, T4AV, T6B, T4B

OPTIONAL CORD
CONNECTION

L1 — WHITE
L2 — RED
L3 — BLACK

| NO. | REVISION | BY & DATE | CHK | ANG | TOLERANCES UNLESS SPECIFIED | | FINISH | DRAWN RM 11/20/1990 | | | | |
|--|--|----------------|-----|-------|--------------------------------|--------|---|---------------------|--------|--------------------|-----------|--------|
| | | | | | DEC. | INCHES | | | | | | |
| 5 | CHG TO REGAL LOGO | SL 09/10/2015 | AB | | | | | CHK ML 11/21/1990 | | | | |
| 4 | REVISED IEC NOTATIONS | MSG 11/15/2011 | CMN | .X | ±.1 | | | APPD SAS 04/24/2003 | | | | |
| 3 | ADDED IEC NOTATIONS... (U1), (V1) ETC. MU95194 | MSG 5/10/2010 | MJS | .XX | ±.02 | | | SCALE 1=1 | | | | |
| 2 | ADDED THE OPTIONAL CORD CONNECTION MU46318 | RDH 04/24/2003 | DRS | .XXX | ±.005 | | TITLE CONNECTION DIAGRAM 3Ø - DUAL VOLTAGE MOTOR | REF | | | | |
| 1 | REDRAWN | RM 11/20/1990 | | .XXXX | ±.0005 | | MAT'L. | FMF | | | | |
| | | | | | ±7'30" | | | PREV | | | | |
| THIS DRAWING IN DESIGN AND DETAIL IS OUR PROPERTY AND MUST NOT BE USED EXCEPT IN CONNECTION WITH OUR WORK ALL RIGHTS OF DESIGN AND INVENTION ARE RESERVED THIS IS AN ELECTRONICALLY GENERATED DOCUMENT - DO NOT SCALE THIS PRINT | | | | | | | RFP | CAD FILE ee7308 | SIZE A | DRAWING NO. EE7308 | PAGE OF 5 | REV. 5 |
| | | | | | | | DIST WP | | | | | |



CERTIFICATION DATA SHEET

Model#: 215TTDB6085 AA **WINDING#:** CHT21560006 NONE 1
CONN. DIAGRAM: EE7308 **ASSEMBLY:** F1/F2 CAPABLE
OUTLINE: SS620571

TYPICAL MOTOR PERFORMANCE DATA

| HP | KW | SYNC. RPM | F.L. RPM | FRAME | ENCLOSURE | KVA CODE | DESIGN |
|-----|-----------|-----------|----------|--------|-----------|----------|--------|
| 5&3 | 3.70&2.24 | 1200 | 1178&982 | 215JPV | DP | G | B |

| PH | Hz | VOLTS | FL AMPS | START TYPE | DUTY | INSL | S.F | AMB°C | ELEVATION |
|----|-------|---------------------|-----------|---------------------|----------------|------|-----------|-------|-----------|
| 3 | 60/50 | 230/460#190/ 380 | 14/7&10/5 | LINE OR INVERTER | CONTINUOU S | F7 | 1.15/1.15 | 40 | 3300 |

| FULL LOAD EFF: 89.5&88.5 | 3/4 LOAD EFF: 89.5 | 1/2 LOAD EFF: 87.5 | GTD. EFF | ELEC. TYPE | NO LOAD AMPS |
|--------------------------------|------------------------|------------------------|----------|-------------------|--------------|
| FULL LOAD PF: 76&74 | 3/4 LOAD PF: 71 | 1/2 LOAD PF: 61 | 88.5 | SQ CAGE INV RATED | 6.4 / 3.2 |

| F.L. TORQUE | LOCKED ROTOR AMPS | L.R. TORQUE | B.D. TORQUE | F.L. RISE°C |
|-------------|-------------------|--------------|--------------|-------------|
| 22.2 LB-FT | 72 / 36 | 34 LB-FT 153 | 49 LB-FT 220 | 50 |

| SOUND PRESSURE @ 3 FT. | SOUND POWER | ROTOR WK^2 | MAX. WK^2 | SAFE STALL TIME | STARTS /HOUR | APPROX. MOTOR WGT |
|---------------------------|-------------|-------------|------------|-----------------|-----------------|----------------------|
| 62 dBA | 72 dBA | 1.1 LB-FT^2 | 75 LB-FT^2 | 20 SEC. | 2 | 200 LBS. |

***** SUPPLEMENTAL INFORMATION *****

| DE BRACKET TYPE | ODE BRACKET TYPE | MOUNT TYPE | ORIENTATION | SEVERE DUTY | HAZARDOUS LOCATION | DRIP COVER | SCREENS | PAINT |
|--------------------|---------------------|---------------|--------------------------------|----------------|-----------------------|---------------|---------|------------------|
| C-FACE | STANDARD | RIGID | HORIZONTAL OR SHAFT DOWN | FALSE | NONE | FALSE | NONE | BLUE (ENAMEL) |

| BEARINGS | | GREASE | SHAFT TYPE | SPECIAL DE | SPECIAL ODE | SHAFT MATERIAL | FRAME MATERIAL |
|----------|------|------------|------------|------------|-------------|----------------------------|-------------------|
| DE | OPE | | | | | | |
| BALL | BALL | POLYREX EM | JP | NONE | NONE | 1045 HOT ROLLED (C-204) | ROLLED STEEL |
| 6307 | 6206 | | | | | | |

| THERMO-PROTECTORS | | | | THERMISTORS | CONTROL | SPACE /n HEATERS |
|-------------------|------------|----------|----------|-------------|---------|------------------|
| THERMOSTATS | PROTECTORS | WDG RTDs | BRG RTDs | | | |
| NONE | NOT | NONE | NONE | NONE | FALSE | NONE VOLTS |

If Inverter equals NONE, contact factory for further information

| |
|--------------------------------|
| INVERTER TORQUE: VARIABLE 10:1 |
| INV. HP SPEED RANGE: NONE |
| ENCODER: NONE |
| NONE NONE |
| NONE NONE PPR |
| BRAKE: NONE NONE |
| NONE P/N NONE |
| NONE NONE |
| NONE FT-LB NONE V NONE Hz |

*
N
O
T
E
S
*

DATE: 06/22/2017 07:18:53 AM
 FORM 3531 REV.3 02/07/99

** Subject to change without notice.

Data Sheet

Date: 20-06-2017
 Customer: _____
 Attention: _____
 Submitted by: FAREEDA DUDEKULA



215TTDB6085

Submittal

Data @ 460 V

Motor Load Data

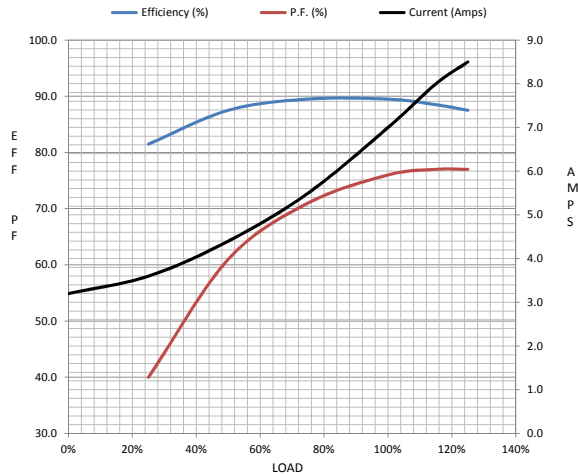
| Load | 0% | 25% | 50% | 75% | 100% | 115% | 125% | LR |
|----------------|------|------|------|------|------|-------|------|------|
| Current (Amps) | 3.2 | 3.6 | 4.4 | 5.5 | 7.0 | 8.0 | 8.5 | 36.0 |
| Torque (ft-lb) | 0.00 | 5.5 | 11.1 | 16.7 | 22.2 | 25.6 | 28.0 | 34.0 |
| RPM | 1200 | 1195 | 1190 | 1185 | 1178 | 1,175 | 1170 | 0 |
| Efficiency (%) | | 81.5 | 87.5 | 89.5 | 89.5 | 88.5 | 87.5 | |
| P.F. (%) | 7.0 | 40.0 | 61.0 | 71.0 | 76.0 | 77.0 | 77.0 | 31.0 |

Motor Speed Data

| | LR | Pull-Up | BD | Rated | Idle |
|----------------|------|---------|------|-------|------|
| Speed (RPM) | 0 | 500 | 1100 | 1178 | 1200 |
| Current (Amps) | 36.0 | 33.0 | 22.0 | 7.0 | 3.2 |
| Torque (ft-lb) | 34.0 | 30.0 | 49.0 | 22.2 | 0.00 |

Information Block

| | | | | |
|-----------------------------|-------------------------|--------|--------|---------|
| HP | 5.0 | | | |
| Sync. RPM | 1200 | | | |
| Frame | 215 | | | |
| Enclosure | DP | | | |
| Construction | TDB | | | |
| Voltage | 30/460#190/38V | | | |
| Frequency | 60 Hz | | | |
| Design | B | | | |
| LR Code letter | G | | | |
| Service Factor | 1.15 | | | |
| Temp Rise @ FL | 50 ° C | | | |
| Duty | CONT | | | |
| Ambient | 40 ° C | | | |
| Elevation | 1,000 feet | | | |
| Rotor/Shaft wk ² | 1.10 Lb-Ft ² | | | |
| Ref Wdg | CHT21560006 NONE | | | |
| Sound Pressure @ 1M | 62 dBA | | | |
| VFD Rating | VARIABLE 10:1 | | | |
| Outline Dwg | SS620571 | | | |
| Conn. Diag | EE7308 | | | |
| Additional Specifications: | | | | |
| 0 | | | | |
| 365THFS8036 | | | | |
| EQUIV CKT (OHMS / PHASE) | | | | |
| R1 | R2 | X1 | X2 | Xm |
| 0.9360 | 0.6240 | 4.3090 | 6.2370 | 61.5200 |



Speed -Torque Curve

