

PRODUCT INFORMATION PACKET

Model No: 184TTWW6026
Catalog No: N616B
5,1800,TEFC,184TC,3/60/230/460
Washdown Duty



Regal and Marathon are trademarks of Regal Beloit Corporation or one of its affiliated companies.
©2018 Regal Beloit Corporation, All Rights Reserved. MC017097E





Nameplate Specifications

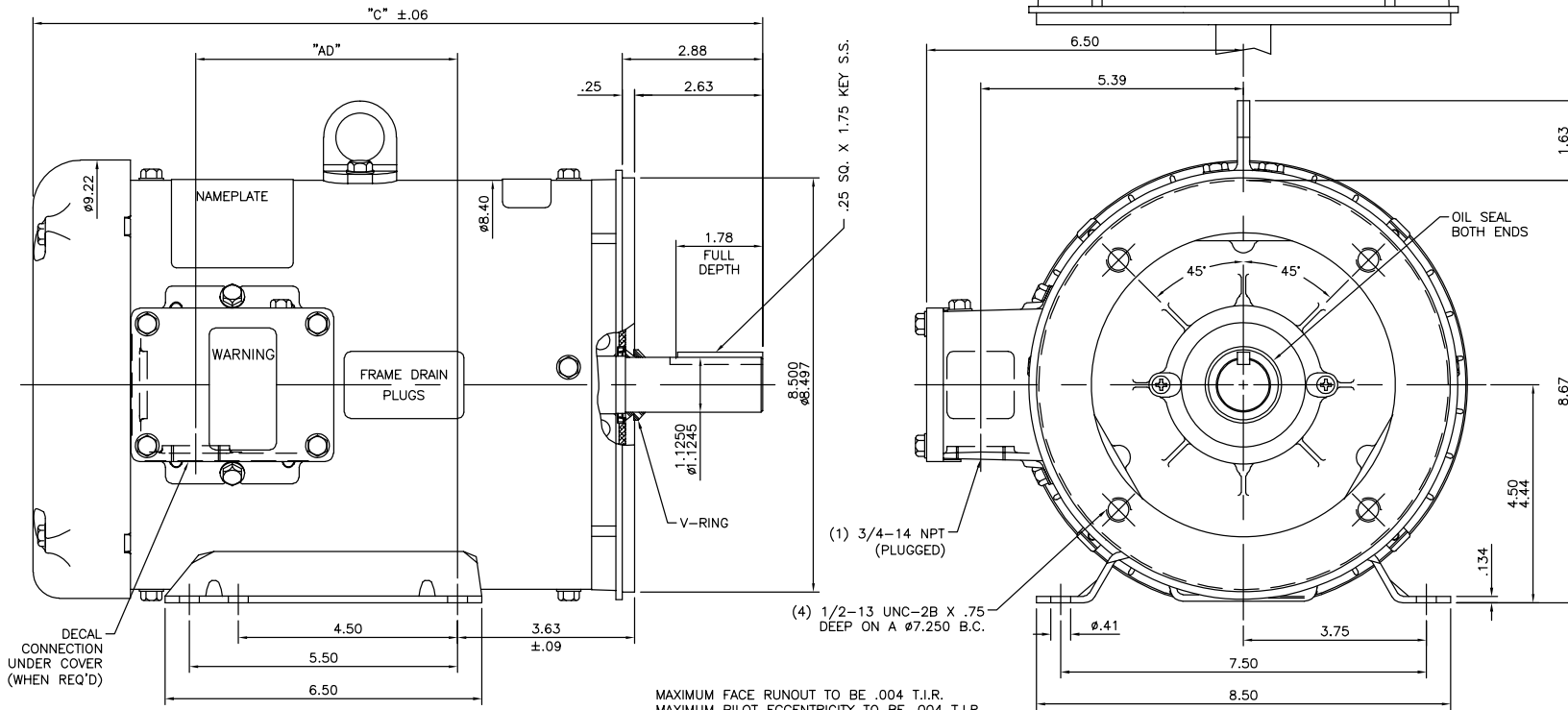
| | | | |
|----------------------------|------------------------------------|------------------------|-------------------|
| Output HP | 5 Hp | Output KW | 3.7 kW |
| Frequency | 60 Hz | Voltage | 230/460 V |
| Current | 12.6/6.3 A | Speed | 1760 rpm |
| Service Factor | 1.15 | Phase | 3 |
| Efficiency | 89.5 % | Duty | Continuous |
| Insulation Class | F | Design Code | B |
| KVA Code | G | Frame | 184TC |
| Enclosure | Totally Enclosed Fan Cooled | Overload Protector | No |
| Ambient Temperature | 40 °C | Drive End Bearing Size | 6207 |
| Opp Drive End Bearing Size | 6205 | UL | Recognized |
| CSA | Y | CE | Y |
| IP Code | 55 | | |

Technical Specifications

| | | | |
|-----------------------|-------------------------------------|-----------------------|-------------------------|
| Electrical Type | Squirrel Cage Inverter Rated | Starting Method | Line Or Inverter |
| Poles | 4 | Rotation | Reversible |
| Mounting | Rigid base | Motor Orientation | Horizontal |
| Drive End Bearing | Ball | Opp Drive End Bearing | Ball |
| Frame Material | Rolled Steel | Shaft Type | T |
| Overall Length | 14.97 in | Frame Length | 9.50 in |
| Shaft Diameter | 1.125 in | Shaft Extension | 2.88 in |
| Assembly/Box Mounting | F1/F2 Capable | | |
| Outline Drawing | 035622-950 | Connection Diagram | 005010.01ME |

This is an uncontrolled document once printed or downloaded and is subject to change without notice. Date Created: 06/29/2018

035622



MAXIMUM FACE RUNOUT TO BE .004 T.I.R.
 MAXIMUM PILOT ECCENTRICITY TO BE .004 T.I.R.
 PERMISSIBLE SHAFT RUNOUT TO BE .002 T.I.R.

| DASH NO. | "C" | "AD" |
|----------|-------|------|
| 850 | 13.97 | 4.37 |
| 900 | 14.47 | 4.87 |
| 950 | 14.97 | 5.37 |
| 1000 | 15.47 | 5.87 |
| 1050 | 15.97 | 6.37 |
| 1100 | 16.47 | 6.87 |
| 1150 | 16.97 | 7.37 |

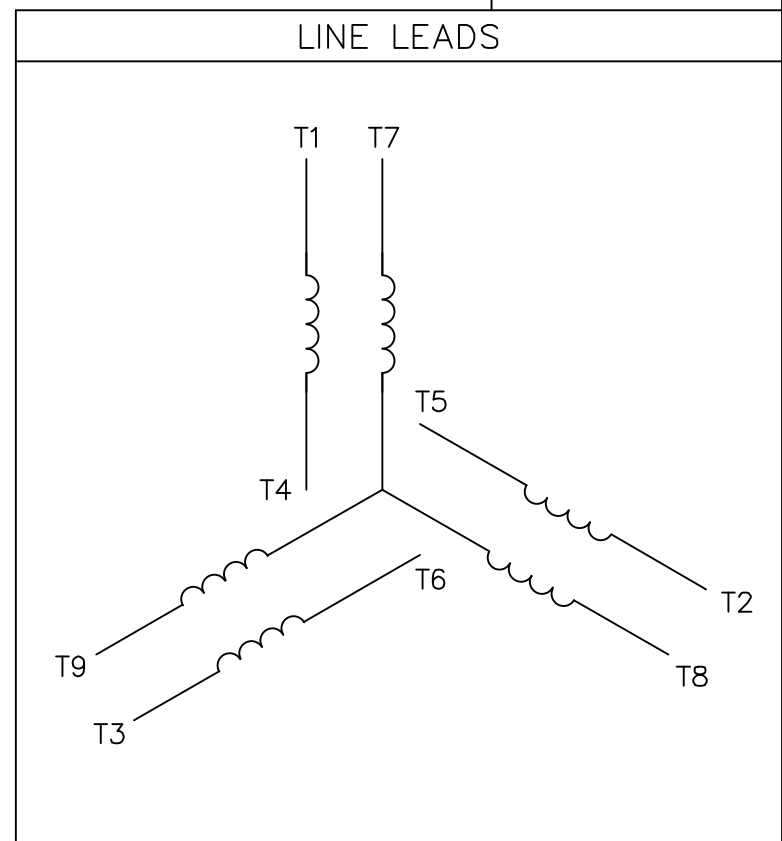
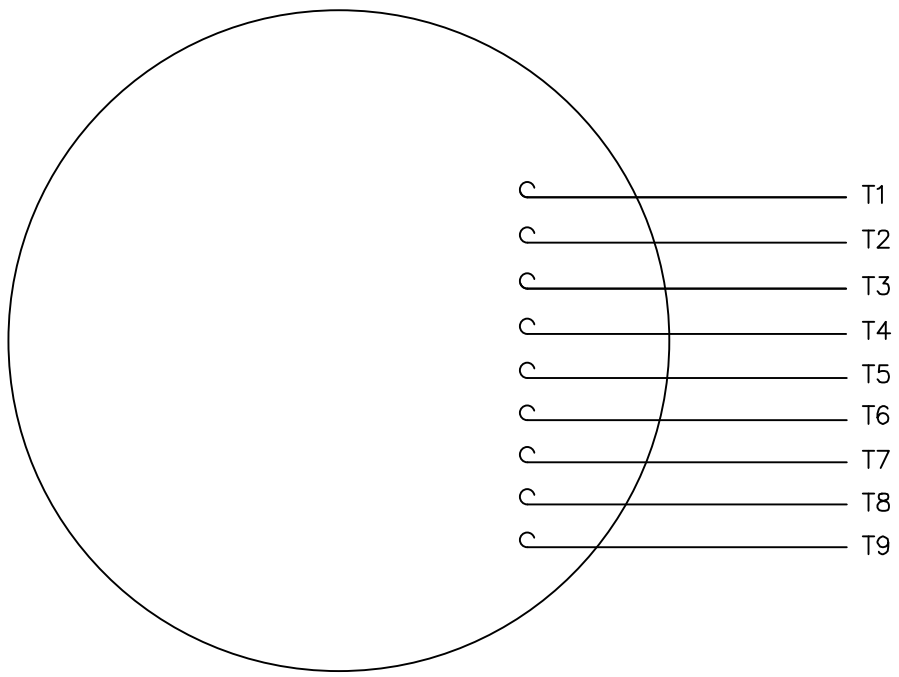
SPECIAL FEATURES:

- 1) SHAFT SEALS & V-RING
- 2) DRAIN HOLES IN FRAME & CONDUIT BOX
- 3) STAINLESS STEEL SHAFT, HARDWARE & NAMEPLATE
- 4) GASKETS THROUGHOUT

| TOLERANCES UNLESS SPECIFIED | | DRAWN | |
|--|--------|-----------------------------|-------------|
| DEC. | INCHES | YS | 01/29/08 |
| X | ±.1 | CHK | |
| .XX | ±.03 | APPD | |
| .XXX | ±.005 | SCALE | 1=2 |
| .XXXX | ±.0005 | REF | |
| F ITEM #850 ADDED IN TABLE PVR 02/20/14 GR | | TITLE OUTLINE - 180TC FRAME | |
| E WARNING DECAL ADDED PER ECO-0045263 UD 02/10/14 GR | | TEFC - RIGID "C" | |
| NO. REVISION BY & DATE | | MAT'L | |
| CHK ANG ±1/2' | | FINISH | |
| RFP | | CAD FILE | 035622 |
| DIST | | SIZE | DRAWING NO. |
| | | B | 035622 |
| | | | REV. F |

THIS DRAWING IN DESIGN AND DETAIL IS OUR PROPERTY AND MUST NOT BE USED EXCEPT IN CONNECTION WITH OUR WORK ALL RIGHTS OF DESIGN AND INVENTION ARE RESERVED THIS IS AN ELECTRONICALLY GENERATED DOCUMENT - DO NOT SCALE THIS PRINT

VIEW FROM OUTSIDE OF MOTOR AT SWITCH END.



| VOLTAGE | L1 | L2 | L3 | JOIN & INSULATE |
|---------|-------|-------|-------|-------------------------------|
| HIGH | T1 | T2 | T3 | (T4,T7) (T5,T8) (T6,T9) |
| LOW | T1,T7 | T2,T8 | T3,T9 | T4,T5,T6 |

| | | TOLERANCES UNLESS SPECIFIED | | | | DRAWN RDW 04/12/02 | | | |
|-----|----------|-----------------------------|--------|--|-------|---------------------|--------|-------------------------|------|
| | | DEC. | INCHES | | | CHK | | | |
| | | .X | ±.1 | EXTERNAL WIRING DIAGRAM 3 PHASE W/O PROTECTOR | | APPD | | | |
| | | .XX | ±.01 | | | SCALE 1=1 | | | |
| | | .XXX | ±.005 | | | REF FIG.2-51 | | | |
| | | .XXXX | ±.0005 | | | FMF | | | |
| NO. | REVISION | BY & DATE | CHK | ANG | ±1/2" | FINISH | PREV | | |
| | | | RFP | 04/12/02 | | CAD FILE 00501001ME | SIZE A | DRAWING NO. 005010-01ME | REV. |
| | | | DIST | | | | | | |

THIS DRAWING IN DESIGN AND DETAIL IS OUR PROPERTY AND MUST NOT BE USED EXCEPT IN CONNECTION WITH OUR WORK ALL RIGHTS OF DESIGN AND INVENTION ARE RESERVED THIS IS AN ELECTRONICALLY GENERATED DOCUMENT - DO NOT SCALE THIS PRINT

Data Sheet

Date: 19-06-2017
 Customer: _____
 Attention: _____
 Submitted by: FAREEDA DUDEKULA

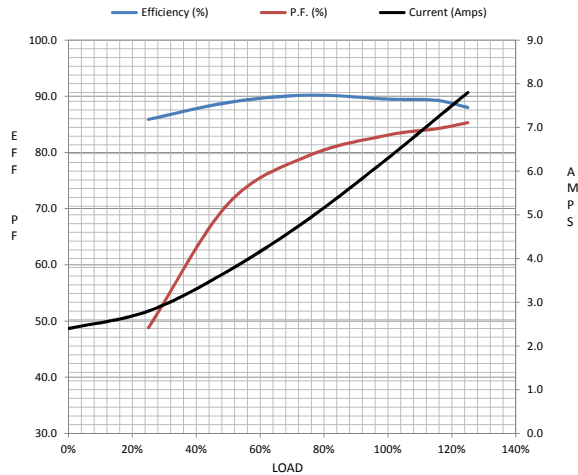


184TTWW6026

Submittal
 Data @ 460 V

| Motor Load Data | | | | | | | | | |
|-----------------|------|------|------|------|------|-------|------|------|--|
| Load | 0% | 25% | 50% | 75% | 100% | 115% | 125% | LR | |
| Current (Amps) | 2.40 | 2.80 | 3.7 | 4.9 | 6.3 | 7.2 | 7.8 | 49.0 | |
| Torque (ft-lb) | 0.00 | 3.7 | 7.4 | 11.1 | 15.0 | 17.4 | 18.8 | 30.1 | |
| RPM | 1800 | 1790 | 1779 | 1768 | 1760 | 1,747 | 1742 | 0 | |
| Efficiency (%) | | 85.9 | 88.9 | 90.2 | 89.5 | 89.3 | 88.0 | | |
| P.F. (%) | 6.8 | 48.8 | 70.9 | 79.4 | 83.1 | 84.2 | 85.3 | 0.0 | |

| Motor Speed Data | | | | | | Information Block | |
|------------------|------|---------|------|-------|------|---------------------|----------------|
| | LR | Pull-Up | BD | Rated | Idle | | |
| Speed (RPM) | 0 | 900 | 1656 | 1760 | 1800 | HP | 5.0 |
| Current (Amps) | 49.0 | 45.1 | 29.4 | 6.3 | 2.40 | Sync. RPM | 1800 |
| Torque (ft-lb) | 30.1 | 29.8 | 50.2 | 15.0 | 0.00 | Frame | 184 |
| | | | | | | Enclosure | TEFC |
| | | | | | | Construction | TFW |
| | | | | | | Voltage | 30/460#190/38V |
| | | | | | | Frequency | 60 Hz |
| | | | | | | Design | B |
| | | | | | | LR Code letter | J |
| | | | | | | Service Factor | 1.15 |
| | | | | | | Temp Rise @ FL | 65 ° C |
| | | | | | | Duty | CONT |
| | | | | | | Ambient | 40 ° C |
| | | | | | | Elevation | 1,000 feet |
| | | | | | | Rotor/Shaft wk² | 0.49 Lb-Ft² |
| | | | | | | Ref Wdg | T84170 FR |
| | | | | | | Sound Pressure @ 1M | 55 dBA |
| | | | | | | VFD Rating | CONSTANT 10:1 |
| | | | | | | Outline Dwg | 035622-950 |
| | | | | | | Conn. Diag | 005010.01ME |



| | | | | |
|----------------------------|----------------|--------|--------|--------|
| HP | 5.0 | | | |
| Sync. RPM | 1800 | | | |
| Frame | 184 | | | |
| Enclosure | TEFC | | | |
| Construction | TFW | | | |
| Voltage | 30/460#190/38V | | | |
| Frequency | 60 Hz | | | |
| Design | B | | | |
| LR Code letter | J | | | |
| Service Factor | 1.15 | | | |
| Temp Rise @ FL | 65 ° C | | | |
| Duty | CONT | | | |
| Ambient | 40 ° C | | | |
| Elevation | 1,000 feet | | | |
| Rotor/Shaft wk² | 0.49 Lb-Ft² | | | |
| Ref Wdg | T84170 FR | | | |
| Sound Pressure @ 1M | 55 dBA | | | |
| VFD Rating | CONSTANT 10:1 | | | |
| Outline Dwg | 035622-950 | | | |
| Conn. Diag | 005010.01ME | | | |
| Additional Specifications: | | | | |
| 0 | | | | |
| 365THFS8036 | | | | |
| EQUIV CKT (OHMS / PHASE) | | | | |
| R1 | R2 | X1 | X2 | Xm |
| 0.0000 | 0.0000 | 0.0000 | 0.0000 | 0.0000 |

