

# PRODUCT INFORMATION PACKET

Model No: 184TTTS6582

Catalog No: E468

XRI®-SD Severe Duty Motor, 2 HP, 3 Ph, 60 Hz, 230/460 V, 1200 RPM, 184T Frame, TENV



Regal and Marathon are trademarks of Regal Rexnord Corporation or one of its affiliated companies.  
©2022 Regal Rexnord Corporation, All Rights Reserved. MC017097E



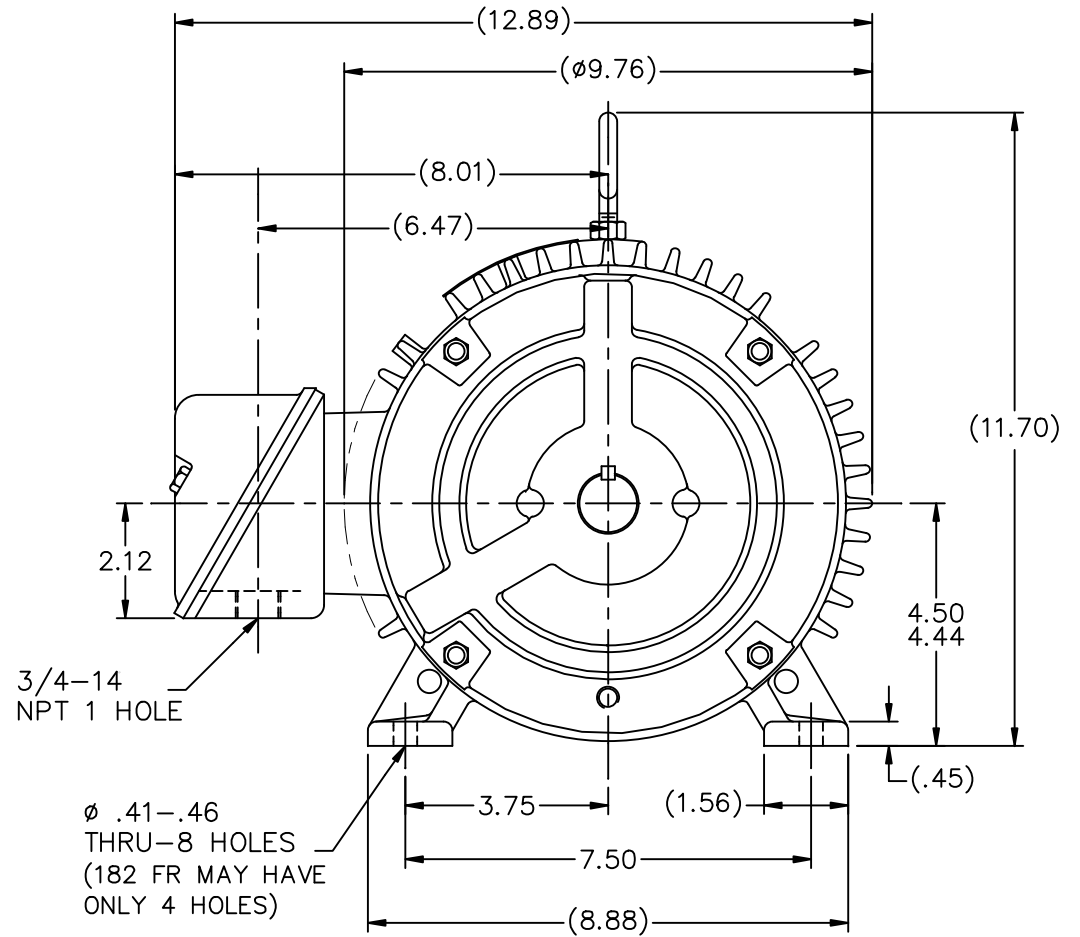
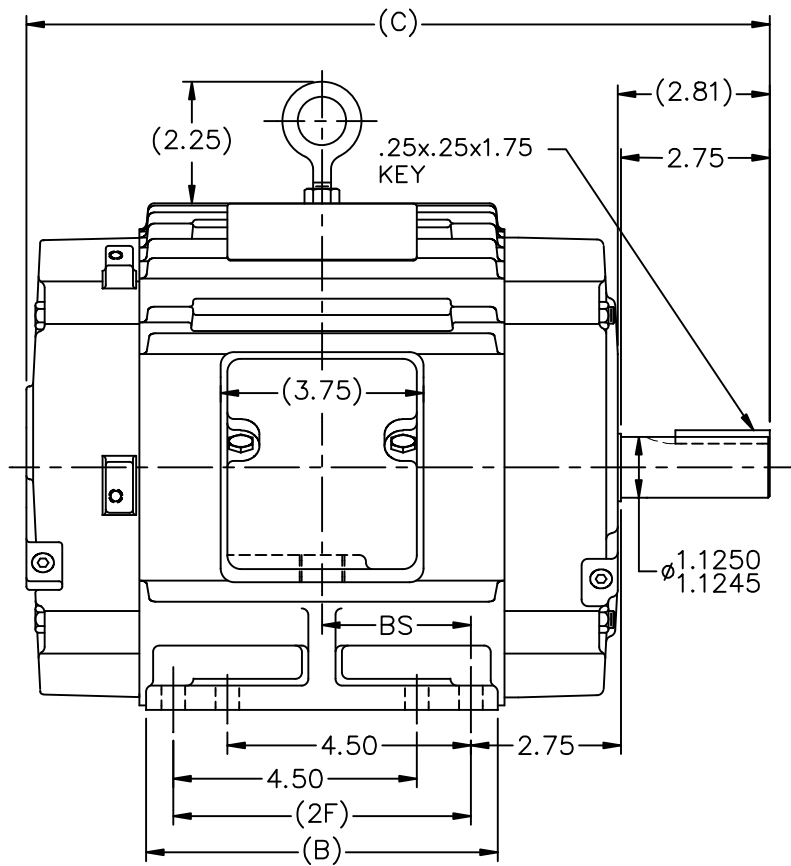
### Nameplate Specifications

Output HP	<b>2 Hp</b>	Output KW	<b>1.5 kW</b>
Frequency	<b>60 Hz</b>	Voltage	<b>230/460 V</b>
Current	<b>6.0/3.0 A</b>	Speed	<b>1170 rpm</b>
Service Factor	<b>1.15</b>	Phase	<b>3</b>
Efficiency	<b>88.5 %</b>	Power Factor	<b>71</b>
Duty	<b>Continuous</b>	Insulation Class	<b>F</b>
Design Code	<b>B</b>	KVA Code	<b>K</b>
Frame	<b>184T</b>	Enclosure	<b>Totally Enclosed Non Ventilated</b>
Thermal Protection	<b>No Protection</b>	Ambient Temperature	<b>40 °C</b>
Drive End Bearing Size	<b>6206</b>	Opp Drive End Bearing Size	<b>6205</b>
UL	<b>Recognized</b>	CSA	<b>Y</b>
CE	<b>Y</b>	IP Code	<b>54</b>
Hazardous Location	<b>DIVISION 2 T2B</b>	Number of Speeds	<b>1</b>

### Technical Specifications

Electrical Type	<b>Squirrel Cage Inverter Rated</b>	Starting Method	<b>Line Or Inverter</b>
Poles	<b>6</b>	Rotation	<b>Reversible</b>
Resistance Main	<b>5.65 Ohms</b>	Mounting	<b>Rigid Base</b>
Motor Orientation	<b>Horizontal</b>	Drive End Bearing	<b>Ball</b>
Opp Drive End Bearing	<b>Ball</b>	Frame Material	<b>Cast Iron</b>
Shaft Type	<b>T</b>	Overall Length	<b>13.74 in</b>
Frame Length	<b>6.75 in</b>	Shaft Diameter	<b>1.125 in</b>
Shaft Extension	<b>2.81 in</b>	Assembly/Box Mounting	<b>F1/F2 CAPABLE</b>
Inverter Load	<b>CONSTANT 20:1</b>		
Outline Drawing	<b>A-SS67889-675</b>	Connection Drawing	<b>A-EE7308</b>

This is an uncontrolled document once printed or downloaded and is subject to change without notice. Date Created:11/28/2022



DASH	FR.	C	B	2F	BS	MOUNTING
575	182T	12.74	5.50	4.50	2.25	F1 OR F2
675	182/4T	13.74	6.50	5.50	2.75	F1 OR F2
800	182/4T	14.99	7.75	5.50	3.38	F1 ONLY

NOTES:

1. CONDUIT BOX CAN BE ROTATED IN 90° STEPS.
2. CONDUIT BOX CAN BE MOUNTED ON OPPOSITE SIDE BY REMOVING BRACKETS AND TURNING FRAME 180°.
3. NAMEPLATE TO BE READ FROM CONDUIT BOX SIDE OF MOTOR.

NO.	REVISION	BY & DATE	CHK	ANG	±7'30"
10	REVISED -575 MOUNTING MU98218	SJW 11/9/2010			
9	SHAFT EXT. WAS 2.72 NOW 2.75 CN46656	RJW 03-15-2007	ML	DEC.	INCHES
8	ADDED 2F DIMENSION TO DASH 575 CN 33528	TAT 04-01-2004	ML	.X	±.1
7	SHOWED PROPER THREAD EXT. LOC. CN 29200-323	TJB 04-10-2000		.XX	±.03
6	ADDED -675 W/ 182T FRAME & MTGS. CN 27400-320	CAE 01-17-2000		.XXX	±.005
5	ADDED FOUR MOUNTING HOLES IN BASE CN 26348	DRS 08-11-1998		.XXXX	±.0005

TOLERANCES UNLESS SPECIFIED	INCHES
DEC.	INCHES
.X	±.1
.XX	±.03
.XXX	±.005
.XXXX	±.0005
ANG	±7'30"



TITLE OUTLINE	180 FR. - BB - TS - TENV
MAT'L.	
FINISH	

DRAWN	SMC 10-01-1992
CHK	MOL 10-01-1992
APPD	GK 10-01-1992
SCALE	9=32
REF	
FMF	
PREV	

THIS DRAWING IN DESIGN AND DETAIL IS OUR PROPERTY AND MUST NOT BE USED EXCEPT IN CONNECTION WITH OUR WORK ALL RIGHTS OF DESIGN AND INVENTION ARE RESERVED THIS IS AN ELECTRONICALLY GENERATED DOCUMENT - DO NOT SCALE THIS PRINT

RFP	CAD FILE	ss67889	SIZE	A	DRAWING NO.	SS67889	PAGE	OF	REV.	10
DIST	LB									



NO.	REVISION	BY & DATE	CHK	ANG	TOLERANCES UNLESS SPECIFIED		FINISH	DRAWN RM 11/20/1990				
					DEC.	INCHES						
5	CHG TO REGAL LOGO	SL 09/10/2015	AB					CHK ML 11/21/1990				
4	REVISED IEC NOTATIONS	MSG 11/15/2011	CMN	.X	±.1			APPD SAS 04/24/2003				
3	ADDED IEC NOTATIONS... (U1), (V1) ETC. MU95194	MSG 5/10/2010	MJS	.XX	±.02		TITLE CONNECTION DIAGRAM	SCALE 1=1				
2	ADDED THE OPTIONAL CORD CONNECTION MU46318	RDH 04/24/2003	DRS	.XXX	±.005		3Ø - DUAL VOLTAGE MOTOR	REF				
1	REDRAWN	RM 11/20/1990		.XXXX	±.0005		MAT'L.	FMF				
					±7'30"			PREV				
THIS DRAWING IN DESIGN AND DETAIL IS OUR PROPERTY AND MUST NOT BE USED EXCEPT IN CONNECTION WITH OUR WORK ALL RIGHTS OF DESIGN AND INVENTION ARE RESERVED THIS IS AN ELECTRONICALLY GENERATED DOCUMENT - DO NOT SCALE THIS PRINT							RFP	CAD FILE ee7308	SIZE A	DRAWING NO. EE7308	PAGE OF 5	REV. 5
							DIST WP					

**CERTIFICATION DATA SHEET**

**Model#:** 184TTTS6582 BR      **WINDING#:** K184659 NONE 1  
**CONN. DIAGRAM:** A-EE7308      **ASSEMBLY:** F1/F2 CAPABLE  
**OUTLINE:** A-SS67889-675

**TYPICAL MOTOR PERFORMANCE DATA**

HP	KW	SYNC. RPM	F.L. RPM	FRAME	ENCLOSURE	KVA CODE	DESIGN
2	1.49	1200	1170	184T	TENV	K	B

PH	Hz	VOLTS	FL AMPS	START TYPE	DUTY	INSL	S.F	AMB°C	ELEVATION
3	60	230/460	6/3	LINE OR INVERTER	CONTINUOU S	F3	1.15	40	3300

FULL LOAD EFF: 88.5	3/4 LOAD EFF: 88.5	1/2 LOAD EFF: 85.5	GTD. EFF	ELEC. TYPE	NO LOAD AMPS
FULL LOAD PF: 71	3/4 LOAD PF: 63	1/2 LOAD PF: 49	87.5	SQ CAGE INV RATED	3.8 / 1.9

F.L. TORQUE	LOCKED ROTOR AMPS	L.R. TORQUE	B.D. TORQUE	F.L. RISE°C
9 LB-FT	44 / 22	17.5 LB-FT 194	32 LB-FT 356	65

SOUND PRESSURE @ 3 FT.	SOUND POWER	ROTOR WK^2	MAX. WK^2	SAFE STALL TIME	STARTS /HOUR	APPROX. MOTOR WGT
60 dBA	70 dBA	0.46 LB-FT^2	40 LB-FT^2	25 SEC.	2	125 LBS.

**\*\*\* SUPPLEMENTAL INFORMATION \*\*\***

DE BRACKET TYPE	ODE BRACKET TYPE	MOUNT TYPE	ORIENTATION	SEVERE DUTY	HAZARDOUS LOCATION	DRIP COVER	SCREENS	PAINT
STANDARD	STANDARD	RIGID	HORIZONTAL	PREMIUM SEVERE DUTY	DIVISION 2 T2B	FALSE	NONE	BLUE (EPOXY)

BEARINGS		GREASE	SHAFT TYPE	SPECIAL DE	SPECIAL ODE	SHAFT MATERIAL	FRAME MATERIAL
DE	OPE						
BALL	BALL	POLYREX EM	T	NONE	NONE	1144 STRESSPROOF (C-223)	CAST IRON
6206	6205						

THERMO-PROTECTORS				THERMISTORS	CONTROL	SPACE /n HEATERS
THERMOSTATS	PROTECTORS	WDG RTDs	BRG RTDs			
NONE	NOT	NONE	NONE	NONE	FALSE	NONE VOLTS

If Inverter equals NONE, contact factory for further information

* N O T E S *	INVERTER TORQUE: CONSTANT 20:1 INV. HP SPEED RANGE: 1.5 X BASE SPEED
	ENCODER: NONE NONE NONE NONE NONE PPR
	BRAKE: NONE NONE NONE P/N NONE NONE NONE NONE FT-LB NONE V NONE Hz

DATE: 06/28/2017 07:43:41 AM  
 FORM 3531 REV.3 02/07/99  
 \*\* Subject to change without notice.

Data Sheet

Date: 29-06-2017  
 Customer: \_\_\_\_\_  
 Attention: \_\_\_\_\_  
 Submitted by: FAREEDA DUDEKULA



184TTTS6582

Submittal

Data @ 460 V

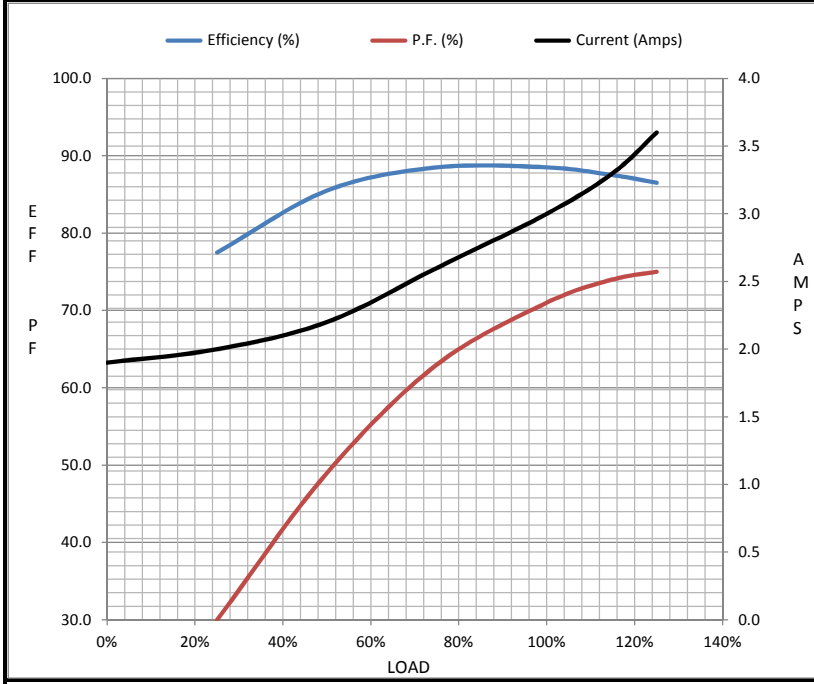
Motor Load Data

Load	0%	25%	50%	75%	100%	115%	125%	LR
Current (Amps)	1.90	2.00	2.20	2.60	3.0	3.3	3.6	22.0
Torque (ft-lb)	0.00	2.20	4.5	6.7	9.0	10.4	11.3	17.5
RPM	1200	1192	1185	1180	1170	1,168	1165	0
Efficiency (%)		77.5	85.5	88.5	88.5	87.5	86.5	
P.F. (%)	6.5	30.0	49.0	63.0	71.0	74.0	75.0	42.0

Motor Speed Data

	LR	Pull-Up	BD	Rated	Idle
Speed (RPM)	0	350	960	1170	1200
Current (Amps)	22.0	20.5	10.0	3.0	1.90
Torque (ft-lb)	17.5	16.0	32.0	9.0	0.00

Information Block				
HP	2.0			
Sync. RPM	1200			
Frame	184			
Enclosure	TENV			
Construction	TTS			
Voltage	230/460 V			
Frequency	60 Hz			
Design	B			
LR Code letter	K			
Service Factor	1.15			
Temp Rise @ FL	65 °C			
Duty	CONT			
Ambient	40 °C			
Elevation	1,000 feet			
Rotor/Shaft wk <sup>2</sup>	0.46 Lb-Ft <sup>2</sup>			
Ref Wdg	K184659 NONE			
Sound Pressure @ 1M	60 dBA			
VFD Rating	CONSTANT 20:1			
Outline Dwg	A-SS67889-675			
Conn. Diag	A-EE7308			
Additional Specifications:				
0				
365THFS8036				
EQUIV CKT (OHMS / PHASE)				
R1	R2	X1	X2	Xm
3.4220	2.4420	8.9890	10.1100	133.9060



Speed - Torque Curve

