

# PRODUCT INFORMATION PACKET

**marathon**<sup>®</sup>  
Motors

Model No: 184TBFW7034  
Catalog No: I315A  
5,1800,TEFC,184TC,1/60/230  
Pressure Washers



Regal and Marathon are trademarks of Regal Beloit Corporation or one of its affiliated companies.  
©2018 Regal Beloit Corporation, All Rights Reserved. MC017097E

**REGAL**<sup>®</sup>



### Nameplate Specifications

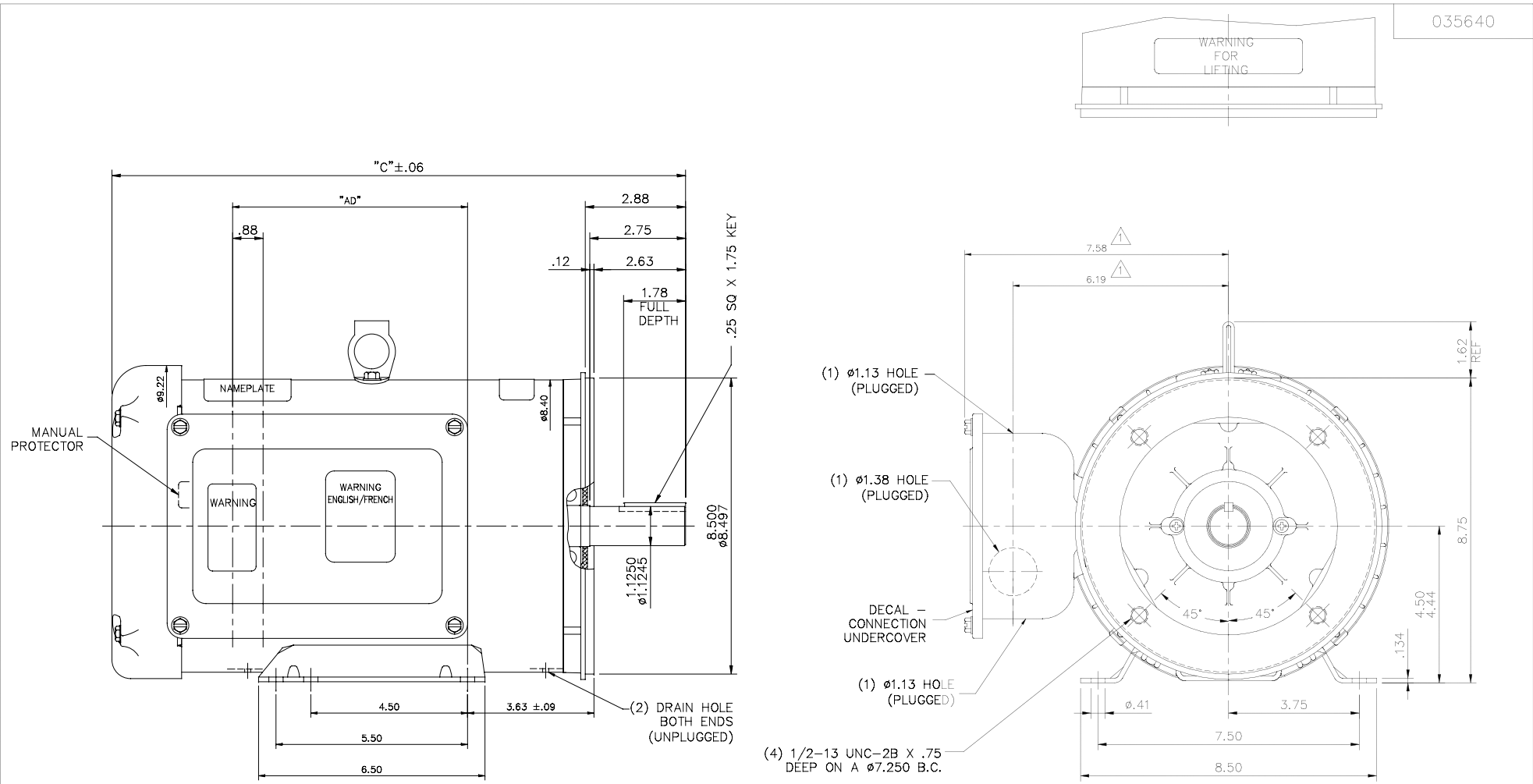
Output HP	<b>5 Hp</b>	Output KW	<b>3.7 kW</b>
Frequency	<b>60 Hz</b>	Voltage	<b>230 V</b>
Current	<b>19.5 A</b>	Speed	<b>1755 rpm</b>
Service Factor	<b>1</b>	Phase	<b>1</b>
Efficiency	<b>85.5 %</b>	Duty	<b>Continuous</b>
Insulation Class	<b>F</b>	Design Code	<b>NO DESIGN CODE</b>
KVA Code	<b>G</b>	Frame	<b>184TC</b>
Enclosure	<b>Totally Enclosed Fan Cooled</b>	Overload Protector	<b>Manual</b>
Ambient Temperature	<b>40 °C</b>	Drive End Bearing Size	<b>6206</b>
Opp Drive End Bearing Size	<b>6205</b>	UL	<b>Recognized ( Not Protector)</b>
CSA	<b>Y</b>	CE	<b>N</b>
IP Code	<b>43</b>		

### Technical Specifications

Electrical Type	<b>Capacitor Start Capacitor Run</b>	Starting Method	<b>Across The Line</b>
Poles	<b>4</b>	Rotation	<b>Selective Counterclockwise</b>
Mounting	<b>Rigid base</b>	Motor Orientation	<b>Horizontal</b>
Drive End Bearing	<b>Ball</b>	Opp Drive End Bearing	<b>Ball</b>
Frame Material	<b>Rolled Steel</b>	Shaft Type	<b>T</b>
Overall Length	<b>17.47 in</b>	Frame Length	<b>12.00 in</b>
Shaft Diameter	<b>1.125 in</b>	Shaft Extension	<b>2.88 in</b>
Assembly/Box Mounting	<b>F1 Only</b>		
Outline Drawing	<b>035640-1200</b>	Connection Diagram	<b>005056.03ME</b>

This is an uncontrolled document once printed or downloaded and is subject to change without notice. Date Created: 06/29/2018

035640



GASKETS THROUGHOUT  
 MAXIMUM FACE RUNOUT TO BE .004 T.I.R.  
 MAXIMUM PILOT ECCENTRICITY TO BE .004 T.I.R.  
 PERMISSIBLE SHAFT RUNOUT TO BE .002 T.I.R.

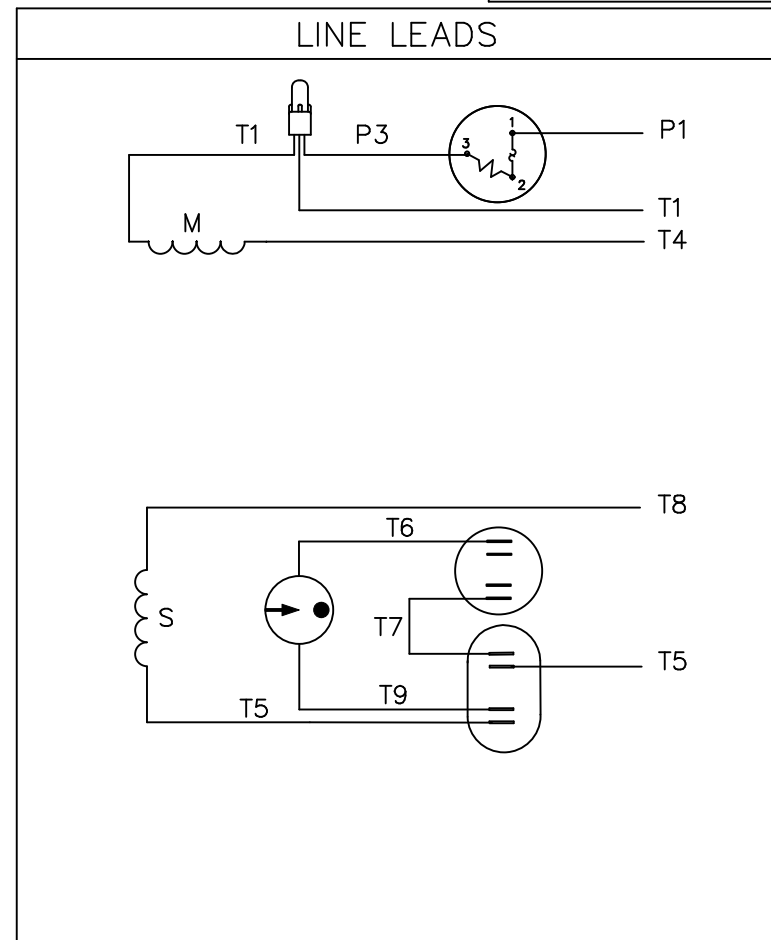
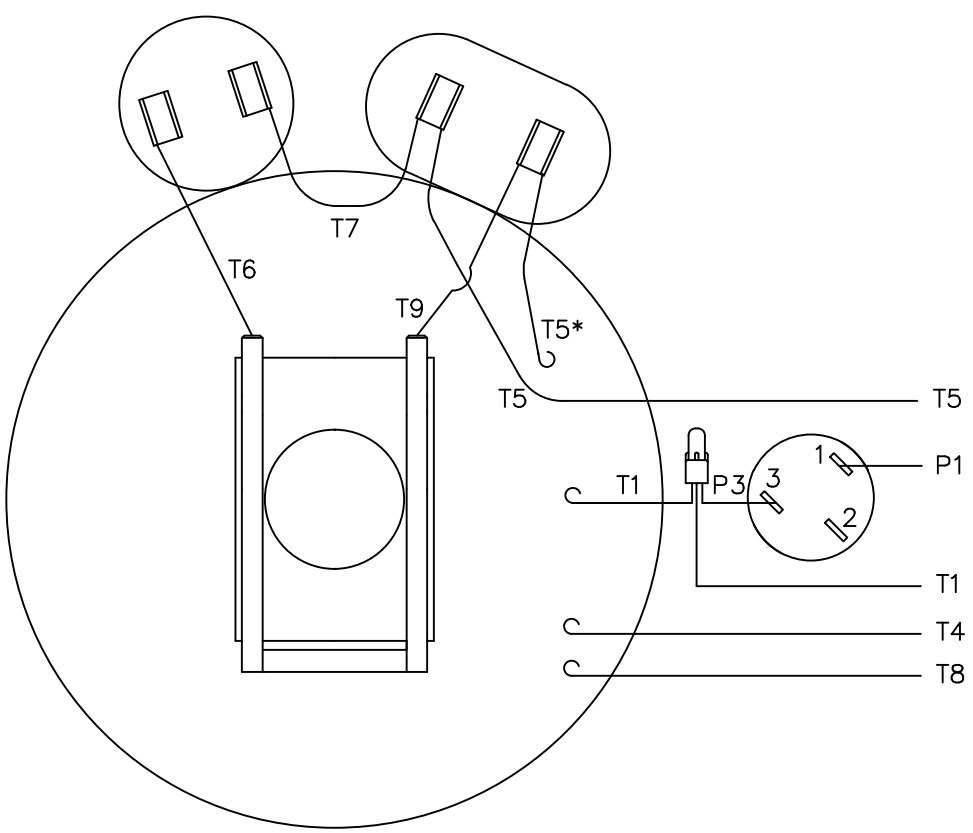
DASH NO.	"C"	"AD"	NO.	REVISION	BY & DATE	CHK	ANG	FINISH	PREV
1100	16.47	6.75	02	DRAIN HOLES ADDED	KIR 02/08/16	SS	.XXX ±.005		
1150	16.97	7.25	01	DIMENSIONS ADDED	KVN3/31/2008	SS	.XXX ±.005		
1200	17.47	7.75							
1250	17.97	8.25							
1300	18.47	8.75							
1350	18.97	9.25							

TOLERANCES UNLESS SPECIFIED		REGAL™		Regal Beloit America, Inc.		DRAWN KVN 02/29/08	
DEC.	INCHES	FILE	TITLE	SCALE	REF	APPD	CHK
.X	±.1		OUTLINE - 180TC FRAME	3=8	035620 & 035637		
.XX	±.03		TEFC - RIGID "C"				
.XXX	±.005						
.XXX	±.005						
ANG	±1/2'						
RFP		CAD FILE	035640	SIZE	DRAWING NO.	REV.	
DIST	NLV			B	035640	02	

THIS DRAWING IN DESIGN AND DETAIL IS OUR PROPERTY AND MUST NOT BE USED EXCEPT IN CONNECTION WITH OUR WORK ALL RIGHTS OF DESIGN AND INVENTION ARE RESERVED THIS IS AN ELECTRONICALLY GENERATED DOCUMENT - DO NOT SCALE THIS PRINT

VIEW FROM OUTSIDE OF MOTOR AT SWITCH END.



ROTATION FACING LEAD END	L1	L2	JOIN
C.C.W.	P1	T4, T5	T1, T8
C.W.	P1	T4, T8	T1, T5

\* THIS LEAD MAY BE WHITE

		TOLERANCES UNLESS SPECIFIED		REGAL-BELOIT <i>Motor Technologies</i> TITLE EXTERNAL WIRING DIAGRAM TYPE "K" W/ PROTECTOR MAT'L. DECAL - 004015 FINISH		DRAWN LST 9/9/03	
		DEC.	INCHES			CHK KH 9/9/03	
		.X	±.1			APPD	
		.XX	±.01			SCALE 1=1	
		.XXX	±.005			REF	
		.XXXX	±.0005	FMF 139045			
NO.	REVISION	BY & DATE	CHK	ANG	±1/2'	PREV	
THIS DRAWING IN DESIGN AND DETAIL IS OUR PROPERTY AND MUST NOT BE USED EXCEPT IN CONNECTION WITH OUR WORK ALL RIGHTS OF DESIGN AND INVENTION ARE RESERVED THIS IS AN ELECTRONICALLY GENERATED DOCUMENT - DO NOT SCALE THIS PRINT			RFP	CAD FILE 00505603ME		SIZE A	DRAWING NO. 005056-03ME
			DIST	BRF-NLV		REV.	

**CERTIFICATION DATA SHEET**

**Model#:** 184TBFW7034 AA      **WINDING#:** K8495 NONE 2  
**CONN. DIAGRAM:** 005056.03ME      **ASSEMBLY:** F1 ONLY  
**OUTLINE:** 035640-1200

**TYPICAL MOTOR PERFORMANCE DATA**

HP	KW	SYNC. RPM	F.L. RPM	FRAME	ENCLOSURE	KVA CODE	DESIGN
5	3.70	1800	1755	184TC	TEFC	G	NO DESIGN CODE

PH	Hz	VOLTS	FL AMPS	START TYPE	DUTY	INSL	S.F	AMB°C	ELEVATION
1	60	230	19.5	ACROSS THE LINE	CONTINUOUS	F4	1.0	40	3300

FULL LOAD EFF: 85.5	3/4 LOAD EFF: 85	1/2 LOAD EFF: 80.9	GTD. EFF	ELEC. TYPE	NO LOAD AMPS
FULL LOAD PF: 96.5	3/4 LOAD PF: 97.2	1/2 LOAD PF: 96.6	82.5	CAP START CAP RUN	2.9

F.L. TORQUE	LOCKED ROTOR AMPS	L.R. TORQUE	B.D. TORQUE	F.L. RISE°C
14.9 LB-FT	133.5	38.9 LB-FT 261	37.5 LB-FT 252	80

SOUND PRESSURE @ 3 FT.	SOUND POWER	ROTOR WK^2	MAX. WK^2	SAFE STALL TIME	STARTS /HOUR	APPROX. MOTOR WGT
0 dBA	10 dBA	0 LB-FT^2	0 LB-FT^2	10 SEC.	2	0 LBS.

**\*\*\* SUPPLEMENTAL INFORMATION \*\*\***

DE BRACKET TYPE	ODE BRACKET TYPE	MOUNT TYPE	ORIENTATION	SEVERE DUTY	HAZARDOUS LOCATION	DRIP COVER	SCREENS	PAINT
C-FACE	STANDARD	RIGID	HORIZONTAL	FALSE	NONE	FALSE	NONE	BLUE (ENAMEL)

BEARINGS		GREASE	SHAFT TYPE	SPECIAL DE	SPECIAL ODE	SHAFT MATERIAL	FRAME MATERIAL
DE	OPE	POLYREX EM	T	NONE	NONE	AISI 1045 (C-240)	ROLLED STEEL
BALL	BALL						
6206	6205						

THERMO-PROTECTORS				THERMISTORS	CONTROL	SPACE /n HEATERS
THERMOSTATS	PROTECTORS	WDG RTDs	BRG RTDs	NONE	FALSE	NONE VOLTS
NONE	MANUAL	NONE	NONE			

If Inverter equals NONE, contact factory for further information

INVERTER TORQUE: NONE
INV. HP SPEED RANGE: NONE
ENCODER: NONE
NONE NONE
NONE NONE PPR
BRAKE: NONE NONE
NONE P/N NONE
NONE NONE
NONE FT-LB NONE V NONE Hz

\*  
N  
O  
T  
E  
S  
\*

DATE: 06/28/2017 06:06:27 AM  
 FORM 3531 REV.3 02/07/99  
 \*\* Subject to change without notice.