

PRODUCT INFORMATION PACKET

Model No: 145TTWD16036
Catalog No: N471A
2,1800,TEFC,145TC,3/60/230/460
Washdown Duty



Regal and Marathon are trademarks of Regal Beloit Corporation or one of its affiliated companies.
©2018 Regal Beloit Corporation, All Rights Reserved. MC017097E





Nameplate Specifications

Output HP	2 Hp	Output KW	1.5 kW
Frequency	60 Hz	Voltage	230/460 V
Current	5.8/2.9 A	Speed	1745 rpm
Service Factor	1.15	Phase	3
Efficiency	86.5 %	Duty	Continuous
Insulation Class	F	Design Code	B
KVA Code	L	Frame	145TC
Enclosure	Totally Enclosed Fan Cooled	Overload Protector	No
Ambient Temperature	40 °C	Drive End Bearing Size	6205
Opp Drive End Bearing Size	6205	UL	Recognized
CSA	Y	CE	Y
IP Code	56		

Technical Specifications

Electrical Type	Squirrel Cage Inverter Rated	Starting Method	Line Or Inverter
Poles	4	Rotation	Reversible
Mounting	Round	Motor Orientation	Horizontal
Drive End Bearing	Ball	Opp Drive End Bearing	Ball
Frame Material	Stainless Steel	Shaft Type	T
Overall Length	13.25 in	Frame Length	8.25 in
Shaft Diameter	0.875 in	Shaft Extension	2.12 in
Assembly/Box Mounting	F1/F2 Capable		
Outline Drawing	028940-825	Connection Diagram	005010.01

This is an uncontrolled document once printed or downloaded and is subject to change without notice. Date Created: 06/29/2018

4

3

2

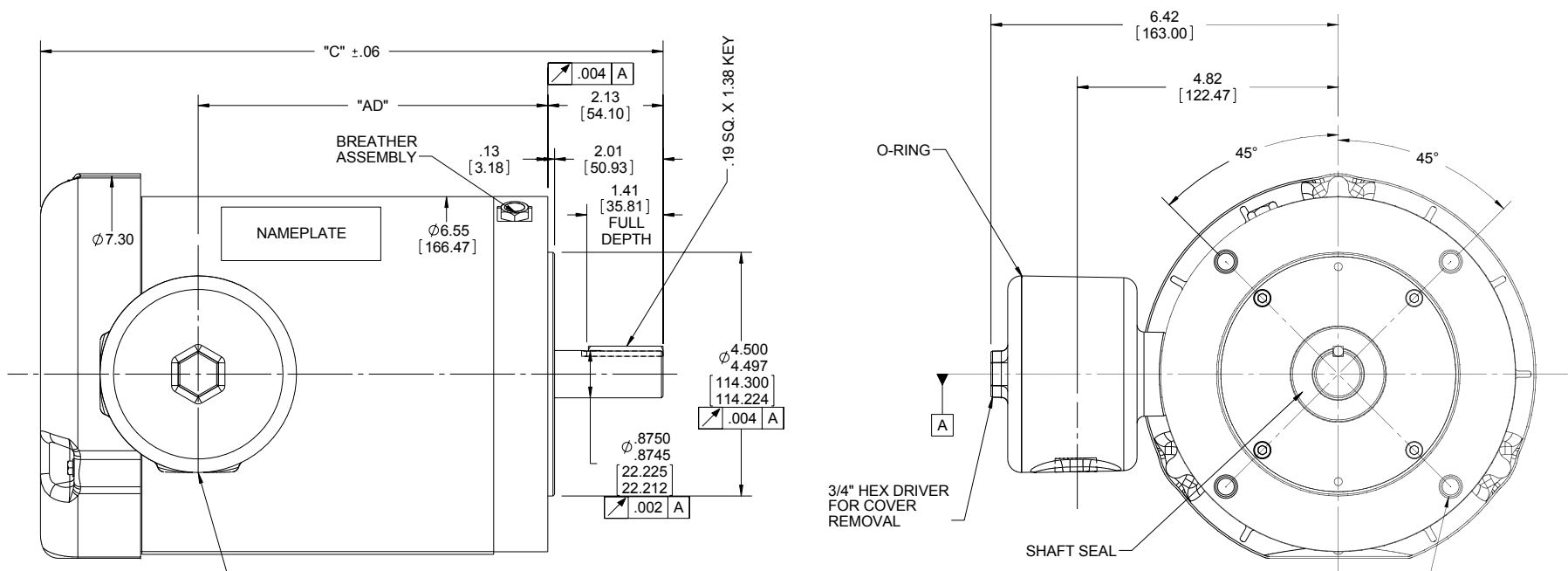
1

B

B

A

A



1/2-14 NPT
CONDUIT HOLE

3/4" HEX DRIVER
FOR COVER
REMOVAL

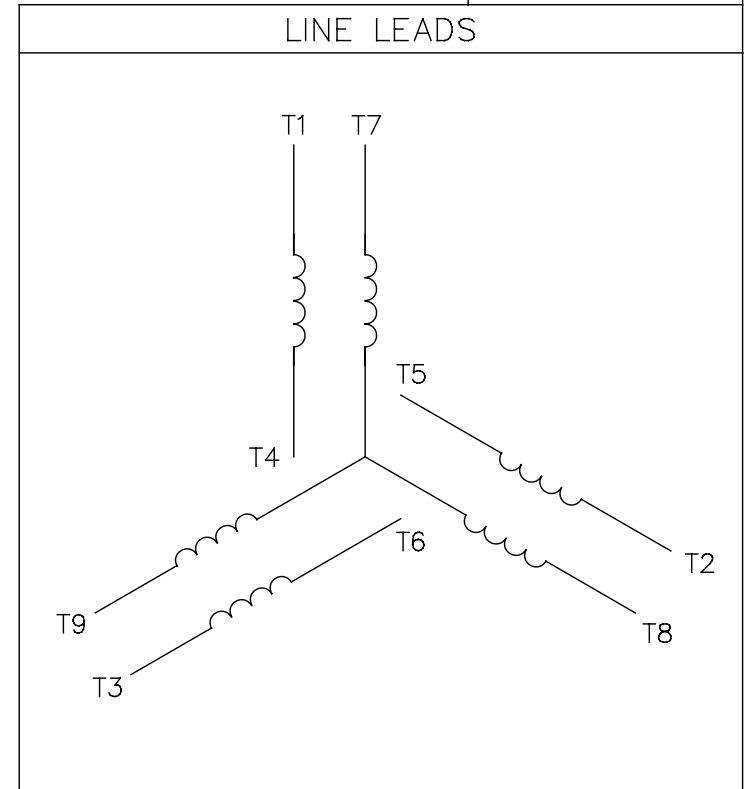
(4) 3/8-16 UNC-2B X .56 DEEP
ON A $\phi 5.875$ B.C.

DASH NO.	"C"	"AD"
525	10.25	5.21
550	10.50	5.46
575	10.75	5.71
600	11.00	5.96
625	11.25	6.21
650	11.50	6.46
675	11.75	6.71
700	12.00	6.96
750	12.50	7.46
775	12.75	7.71
800	13.00	7.96
825	13.25	8.21

DRAWING REVISION G	REVISION BY CHRIS FISHER	DATE 1/5/2015	TOLERANCES UNLESS OTHERWISE SPECIFIED: DEC. INCH mm ANGLE X ± 0.1 [± 2.5] $\pm 0.5^\circ$.XX ± 0.01 [± 0.25] .XXX ± 0.005 [± 0.127] .XXXX ± 0.0005 [± 0.0127]	DRAWN BY LST 1/9/09	Regal Beloit America, Inc.
ECO ECO-0090909	APPROVED BY	DATE	DATE	DATE	
ECO DESCRIPTION ADDED ITEMS #800 & #825			REMOVE BURRS & BREAK SHARP EDGES: .003/.015 [.076/.381] X 45° CORNER FILLETS: R.02 [.51]	APPROVED BY	DESCRIPTION OUTLINE TEFC "C" FACE
<small>COPYRIGHT REGAL BELOIT AMERICA, INC. ALL RIGHTS RESERVED. PROPRIETARY AND CONFIDENTIAL INFORMATION - THIS DOCUMENT IS THE PROPERTY OF REGAL BELOIT AMERICA, INC. ("OWNER") AND CONTAINS OWNER'S PROPRIETARY INFORMATION. ANY PERSON, CORPORATION OR OTHER FIRM RECEIVING IT IS DEEMED, BY RECEIVING IT, TO AGREE THAT IT, AND/OR ANY PART OF IT, SHALL NOT BE DISCLOSED TO ANY PERSON, CORPORATION OR OTHER ENTITY, DUPLICATED, AND/OR USED, EXCEPT AS EXPRESSLY APPROVED IN WRITING IN ADVANCE BY OWNER. THIS DOCUMENT SHALL BE RETURNED TO OWNER UPON REQUEST. IT MAY BE SUBJECT TO CERTAIN RESTRICTIONS UNDER APPLICABLE EXPORT CONTROL LAWS AND REGULATIONS.</small>			MACHINED SURFACES: $125 \sqrt{\quad}$ $3.2 \sqrt{\quad}$ INCH mm	REFERENCE	MATERIAL
			THIRD ANGLE PROJECTION	SIZE B	DRAWING NUMBER 028940
					PROCESS/FINISH
					SHEET 1 OF 1

005010-01

VIEW FROM OUTSIDE OF MOTOR AT SWITCH END.



VOLTAGE	L1	L2	L3	JOIN & INSULATE
HIGH	T1	T2	T3	(T4,T7) (T5,T8) (T6,T9)
LOW	T1,T7	T2,T8	T3,T9	T4,T5,T6

				TOLERANCES UNLESS SPECIFIED		REGAL ™ Regal Beloit America, Inc.		DRAWN RDW 04/12/02				
				DEC.	INCHES			CHK				
				.X	±.1			APPD				
				.XX	±.01	TITLE EXTERNAL WIRING DIAGRAM 3 PHASE W/O PROTECTOR		SCALE 1=1				
				.XXX	±.005			REF FIG.2-51				
A	UPDATED TO REGAL LOGO			SAJ	06/26/15	AJY	.XXXX	±.0005	MAT'L. DECAL - 004014	FMF		
NO.	REVISION			BY & DATE	CHK	ANG	±1/2"	FINISH	PREV			
THIS DRAWING IN DESIGN AND DETAIL IS OUR PROPERTY AND MUST NOT BE USED EXCEPT IN CONNECTION WITH OUR WORK ALL RIGHTS OF DESIGN AND INVENTION ARE RESERVED THIS IS AN ELECTRONICALLY GENERATED DOCUMENT - DO NOT SCALE THIS PRINT				RFP	04/12/02		CAD FILE	00501001		SIZE	DRAWING NO.	REV.
				DIST	BRF-NLV			A	005010-01		A	

CERTIFICATION DATA SHEET

Model#: 145TTWD16036 AA **WINDING#:** T634340 FR 3
CONN. DIAGRAM: 005010.01 **ASSEMBLY:** F1/F2 CAPABLE
OUTLINE: 028940-825

TYPICAL MOTOR PERFORMANCE DATA

HP	KW	SYNC. RPM	F.L. RPM	FRAME	ENCLOSURE	KVA CODE	DESIGN
2&1 1/2	1.49&1.12	1800	1745&1435	145TC	TEFC	L	B

PH	Hz	VOLTS	FL AMPS	START TYPE	DUTY	INSL	S.F	AMB°C	ELEVATION
3	60/50	230/460#190/ 380	5.8/2.9&6/3	LINE OR INVERTER	CONTINUOU S	F4	1.15/1.15	40	3300

FULL LOAD EFF: 86.5	3/4 LOAD EFF: 85.5	1/2 LOAD EFF: 83.5	GTD. EFF	ELEC. TYPE	NO LOAD AMPS
FULL LOAD PF: 75.6	3/4 LOAD PF: 64	1/2 LOAD PF: 52	0	SQ CAGE INV RATED	3.4 / 1.7

F.L. TORQUE	LOCKED ROTOR AMPS	L.R. TORQUE	B.D. TORQUE	F.L. RISE°C
6 LB-FT	53.2 / 26.6	24.6 LB-FT 410	28.8 LB-FT 480	55

SOUND PRESSURE @ 3 FT.	SOUND POWER	ROTOR WK^2	MAX. WK^2	SAFE STALL TIME	STARTS /HOUR	APPROX. MOTOR WGT
0 dBA	10 dBA	0.16 LB-FT^2	0.2 LB-FT^2	0 SEC.	0	0 LBS.

***** SUPPLEMENTAL INFORMATION *****

DE BRACKET TYPE	ODE BRACKET TYPE	MOUNT TYPE	ORIENTATION	SEVERE DUTY	HAZARDOUS LOCATION	DRIP COVER	SCREENS	PAINT
C-FACE	STANDARD	ROUND	HORIZONTAL	FALSE	NONE	FALSE	NONE	NO PAINT

BEARINGS		GREASE	SHAFT TYPE	SPECIAL DE	SPECIAL ODE	SHAFT MATERIAL	FRAME MATERIAL
DE	OPE						
BALL	BALL	POLYREX EM	T	NONE	NONE	303 STAINLESS (C-501)	STAINLESS STEEL
6205	6205						

THERMO-PROTECTORS				THERMISTORS	CONTROL	SPACE /n HEATERS
THERMOSTATS	PROTECTORS	WDG RTDs	BRG RTDs			
NONE	NOT	NONE	NONE	NONE	FALSE	NONE VOLTS

If Inverter equals NONE, contact factory for further information

*
N
O
T
E
S
*

INVERTER TORQUE: CONSTANT 3:1
INV. HP SPEED RANGE: NONE
ENCODER: NONE
NONE NONE
NONE NONE PPR
BRAKE: NONE NONE
NONE P/N NONE
NONE NONE
NONE FT-LB NONE V NONE Hz

DATE: 06/27/2017 12:34:04 AM
 FORM 3531 REV.3 02/07/99
 ** Subject to change without notice.

Data Sheet

Date: 19-06-2017
 Customer: _____
 Attention: _____
 Submitted by: FAREEDA DUDEKULA

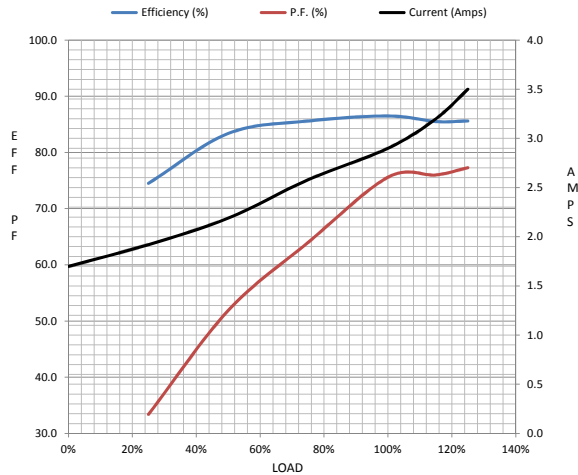


145TTWD16036

Submittal
 Data @ 460 V

Motor Load Data									
Load	0%	25%	50%	75%	100%	115%	125%	LR	
Current (Amps)	1.70	1.92	2.19	2.58	2.90	3.2	3.5	26.5	
Torque (ft-lb)	0.00	1.50	3.0	4.5	6.0	6.5	7.5	18.8	
RPM	1800	1787	1774	1763	1751	1,730	1732	0	
Efficiency (%)		74.5	83.4	85.6	86.5	85.5	85.6		
P.F. (%)	7.1	33.4	51.9	64.0	75.6	76.0	77.3	42.0	

Motor Speed Data						Information Block	
	LR	Pull-Up	BD	Rated	Idle		
Speed (RPM)	0	775	1085	1751	1800	HP	2.0
Current (Amps)	26.5	24.4	14.2	2.90	1.70	Sync. RPM	1800
Torque (ft-lb)	18.8	15.0	24.6	6.0	0.00	Frame	140
						Enclosure	TEFC
						Construction	TFR
						Voltage	30/460#190/38V
						Frequency	60 Hz
						Design	A
						LR Code letter	L
						Service Factor	1.15
						Temp Rise @ FL	53 ° C
						Duty	CONT
						Ambient	40 ° C
						Elevation	1,000 feet
						Rotor/Shaft wk ²	0.16 Lb-Ft ²
						Ref Wdg	T634340 FR
						Sound Pressure @ 1M	65 dBA
						VFD Rating	CONSTANT 3:1
						Outline Dwg	028940-825
						Conn. Diag	005010.01



Additional Specifications:	
0	
365THFS8036	
EQUIV CKT (OHMS / PHASE)	
R1	R2
0.0000	0.0000
X1	X2
0.0000	0.0000
Xm	
0.0000	

