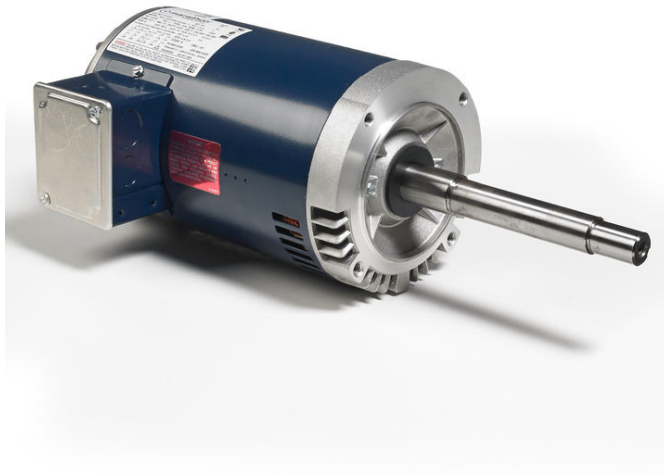


PRODUCT INFORMATION PACKET

Model No: 145TTDR16304
Catalog No: GT4509
3,3600,DP,145JPV,3/60/575
JP



Regal and Marathon are trademarks of Regal Beloit Corporation or one of its affiliated companies.
©2018 Regal Beloit Corporation, All Rights Reserved. MC017097E





Nameplate Specifications

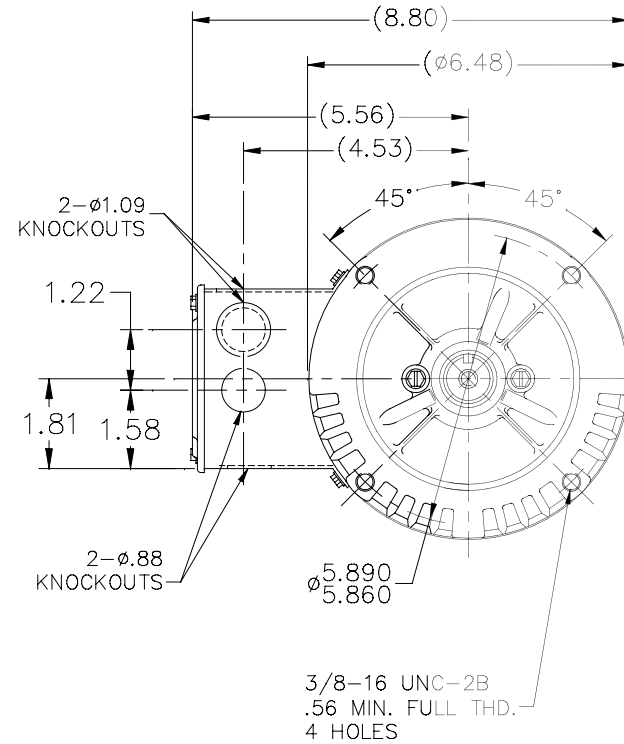
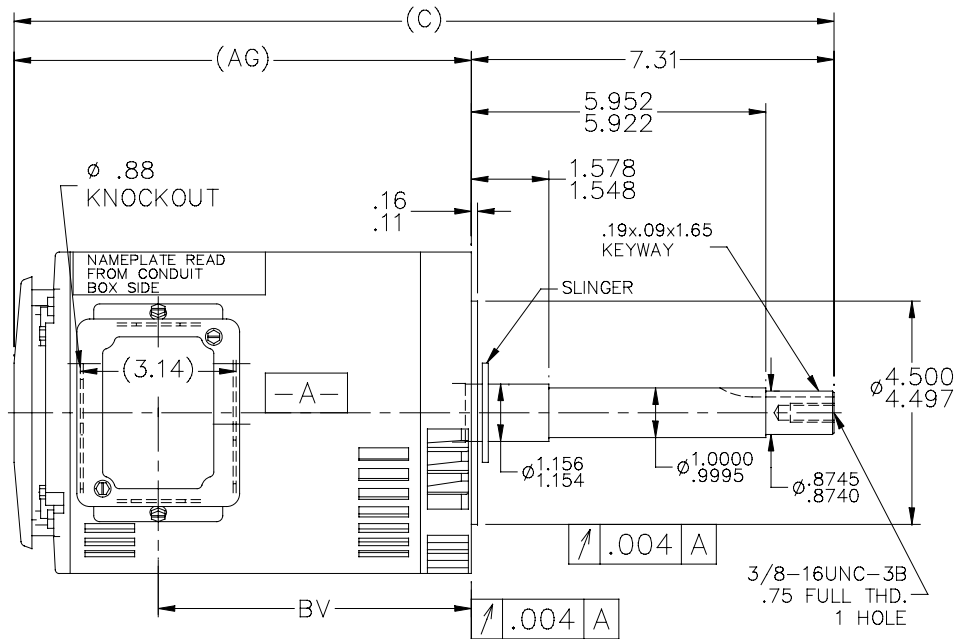
Output HP	3 Hp	Output KW	2.2 kW
Frequency	60 Hz	Voltage	575 V
Current	3.0 A	Speed	3510 rpm
Service Factor	1.15	Phase	3
Efficiency	87.5 %	Duty	Continuous
Insulation Class	F	Design Code	A
KVA Code	M	Frame	145JPV
Enclosure	Drip Proof	Overload Protector	No
Ambient Temperature	40 °C	Drive End Bearing Size	6206
Opp Drive End Bearing Size	6203	UL	Recognized
CSA	Y	CE	Y
IP Code	22		

Technical Specifications

Electrical Type	Squirrel Cage Inverter Rated	Starting Method	Line Or Inverter
Poles	2	Rotation	Reversible
Mounting	Round	Motor Orientation	Horizontal Or Shaft Down
Drive End Bearing	Ball	Opp Drive End Bearing	Ball
Frame Material	Rolled Steel	Shaft Type	JP
Overall Length	18.48 in	Frame Length	9.06 in
Shaft Diameter	0.875 in	Shaft Extension	7.31 in
Assembly/Box Mounting	F1 Only		
Outline Drawing	A-100231-906	Connection Diagram	A-EE7300

This is an uncontrolled document once printed or downloaded and is subject to change without notice. Date Created: 06/29/2018

100231



DASH	FR.	C	AG	BV	DASH	FR.	C	AG	BV
					806	145	17.48	10.17	7.31
656	145	15.98	8.67	5.81	856		17.98	10.67	7.81
706	145	16.48	9.17	6.31	906		18.48	11.17	8.31
756	145	16.98	9.67	6.81	956		18.98	11.67	8.81

NOTES: CONDUIT BOX CAN BE ROTATED 180°

		TOLERANCES UNLESS SPECIFIED		DRAWN BRH 10-24-1995	
		DEC.	INCHES	CHK DA 11-16-1995	
		.X	$\pm .1$	APPD GK 11-16-1995	
		.XX	$\pm .03$	SCALE 5=16	
5	CHANGE LOGO TO REGAL	SL 09/15/15	AB .XXX	$\pm .005$	TITLE OUTLINE
4	REDRAWN ON CADD	BRH 11-16-1995	.XXXX	$\pm .0005$	140 FR. - BB - DR.PR. 3 ϕ C'FACE - JP EXT
NO.	REVISION	BY & DATE	CHK ANG	$\pm '30"$	MAT'L.
			RFP	FINISH	REF
			DIST WP	CAD FILE 100231	PREV
				SIZE A	DRAWING NO. 100231
					PAGE 5 OF 5
					REV. 5



THIS DRAWING IN DESIGN AND DETAIL IS OUR PROPERTY AND MUST NOT BE USED EXCEPT IN CONNECTION WITH OUR WORK ALL RIGHTS OF DESIGN AND INVENTION ARE RESERVED THIS IS AN ELECTRONICALLY GENERATED DOCUMENT - DO NOT SCALE THIS PRINT

**THREE PHASE - SINGLE VOLTAGE
MOTOR - CONDUIT BOX @ 'A'**

**TO REVERSE ROTATION:
INTERCHANGE ANY TWO
LINE LEAD CONNECTIONS.**

TERMINAL BLOCK WHEN SPECIFIED



VIEW OF TERMINAL END

**IF MOTOR HAS
6 LEADS**



A-9806 DECAL

**OPTIONAL CORD
CONNECTION**



DRAWING REVISION AB	REVISION BY JJB	DATE 06-27-2017
ECO ECO-0125361	APPROVED BY TB	DATE 06-27-2017
ECO DESCRIPTION UPDATED TO CURRENT STANDARDS		
<small>COPYRIGHT REGAL BELOIT AMERICA, INC. ALL RIGHTS RESERVED. PROPRIETARY AND CONFIDENTIAL INFORMATION - THIS DOCUMENT IS THE PROPERTY OF REGAL BELOIT AMERICA, INC. ("OWNER") AND CONTAINS OWNER'S PROPRIETARY INFORMATION. ANY PERSON, CORPORATION OR OTHER FIRM RECEIVING IT IS DEEMED, BY RECEIVING IT, TO AGREE THAT IT, AND/OR ANY PART OF IT, SHALL NOT BE DISCLOSED TO ANY PERSON, CORPORATION OR OTHER ENTITY, DUPLICATED, AND/OR USED, EXCEPT AS EXPRESSLY APPROVED IN WRITING IN ADVANCE BY OWNER. THIS DOCUMENT SHALL BE RETURNED TO OWNER UPON REQUEST. IT MAY BE SUBJECT TO CERTAIN RESTRICTIONS UNDER APPLICABLE EXPORT CONTROL LAWS AND REGULATIONS.</small>		



DRAWN BY DA
DATE 03-26-1993
APPROVED BY TB
DATE 03-26-1993
REFERENCE
THIRD ANGLE PROJECTION

Regal Beloit America, Inc.		
		DESCRIPTION CONNECTION DIAGRAM EXTERNAL - SINGLE VOLTAGE - 3Ø MOTOR
MATERIAL	PROCESS/FINISH	
SIZE A	DRAWING NUMBER EE7300	SHEET 1 OF 1

CERTIFICATION DATA SHEET

Model#: 145TTDR16304 AA WINDING#: ZT2175 NONE 2
 CONN. DIAGRAM: A-EE7300 ASSEMBLY: F1 ONLY
 OUTLINE: A-100231-906

TYPICAL MOTOR PERFORMANCE DATA

HP	KW	SYNC. RPM	F.L. RPM	FRAME	ENCLOSURE	KVA CODE	DESIGN
3	2.24	3600	3510	145JPV	DP	M	A

PH	Hz	VOLTS	FL AMPS	START TYPE	DUTY	INSL	S.F	AMB°C	ELEVATION
3	60	575	3	LINE OR INVERTER	CONTINUOUS	F3	1.15	40	3300

FULL LOAD EFF: 87.5	3/4 LOAD EFF: 88.2	1/2 LOAD EFF: 86.8	GTD. EFF	ELEC. TYPE	NO LOAD AMPS
FULL LOAD PF: 83.5	3/4 LOAD PF: 77.3	1/2 LOAD PF: 65.7	85.5	SQ CAGE INV RATED	1.4

F.L. TORQUE	LOCKED ROTOR AMPS	L.R. TORQUE	B.D. TORQUE	F.L. RISE°C
4.5 LB-FT	32.9	17.8 LB-FT 396	23.2 LB-FT 516	41

SOUND PRESSURE @ 3 FT.	SOUND POWER	ROTOR WK^2	MAX. WK^2	SAFE STALL TIME	STARTS /HOUR	APPROX. MOTOR WGT
68 dBA	78 dBA	0.045 LB-FT^2	5 LB-FT^2	10 SEC.	2	43 LBS.

*** SUPPLEMENTAL INFORMATION ***

DE BRACKET TYPE	ODE BRACKET TYPE	MOUNT TYPE	ORIENTATION	SEVERE DUTY	HAZARDOUS LOCATION	DRIP COVER	SCREENS	PAINT
C-FACE	STANDARD	ROUND	HORIZONTAL OR SHAFT DOWN	FALSE	NONE	TRUE	NONE	BLUE (POWDER)

BEARINGS		GREASE	SHAFT TYPE	SPECIAL DE	SPECIAL ODE	SHAFT MATERIAL	FRAME MATERIAL
DE	OPE	POLYREX EM	JP	NONE	NONE	1144 STRESSPROOF (C-223)	ROLLED STEEL
BALL	BALL						
6206	6203						

THERMO-PROTECTORS				THERMISTORS	CONTROL	SPACE /n HEATERS
THERMOSTATS	PROTECTORS	WDG RTDs	BRG RTDs			
NONE	NOT	NONE	NONE	NONE	FALSE	NONE VOLTS

If Inverter equals NONE, contact factory for further information

INVERTER TORQUE: CONSTANT 2:1
INV. HP SPEED RANGE: NONE
ENCODER: NONE NONE NONE NONE NONE PPR
BRAKE: NONE NONE NONE P/N NONE NONE NONE - FT-LB NONE V NONE Hz

*
N
O
T
E
S
*

DATE: 06/23/2017 04:43:34 AM
 FORM 3531 REV.3 02/07/99
 ** Subject to change without notice.

Data Sheet

Date: 29-06-2017
 Customer: _____
 Attention: _____
 Submitted by: FAREEDA DUDEKULA



145TTDR16304

Submittal

Data @ 575 V

Motor Load Data

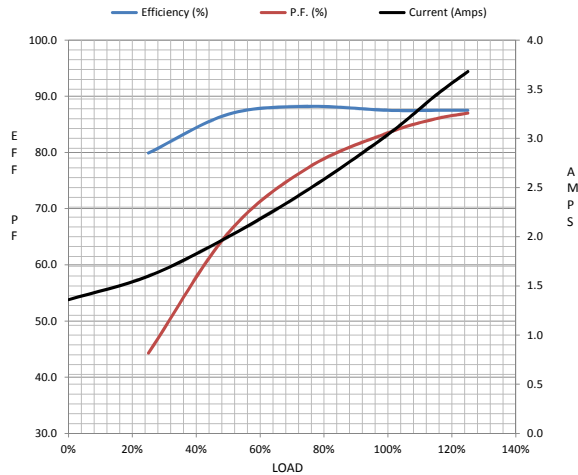
Load	0%	25%	50%	75%	100%	115%	125%	LR
Current (Amps)	1.36	1.60	2.00	2.48	3.0	3.4	3.7	32.9
Torque (ft-lb)	0.00	1.10	2.21	3.3	4.5	5.2	5.7	17.8
RPM	3600	3580	3560	3535	3510	3,495	3485	0
Efficiency (%)		79.9	86.8	88.2	87.5	87.5	87.5	
P.F. (%)	10.9	44.3	65.7	77.3	83.5	86.0	87.0	65.4

Motor Speed Data

	LR	Pull-Up	BD	Rated	Idle
Speed (RPM)	0	255	2310	3510	3600
Current (Amps)	32.9	32.3	23.8	3.0	1.36
Torque (ft-lb)	17.8	15.7	23.2	4.5	0.00

Information Block

HP	3.0			
Sync. RPM	3600			
Frame	145			
Enclosure	DP			
Construction	TDR			
Voltage	575 V			
Frequency	60 Hz			
Design	A			
LR Code letter	M			
Service Factor	1.15			
Temp Rise @ FL	41 ° C			
Duty	CONT			
Ambient	40 ° C			
Elevation	1,000 feet			
Rotor/Shaft wk ²	0.05 Lb-Ft ²			
Ref Wdg	ZT2175 NONE			
Sound Pressure @ 1M	68 dBA			
VFD Rating	CONSTANT 2:1			
Outline Dwg	A-100231-906			
Conn. Diag	A-EE7300			
Additional Specifications:				
0				
365THFS8036				
EQUIV CKT (OHMS / PHASE)				
R1	R2	X1	X2	Xm
6.0600	3.5480	8.4250	7.8340	271.2360



Speed -Torque Curve

