

# PRODUCT INFORMATION PACKET

Model No: 145TBFR5327  
Catalog No: I201  
1-1/2,1800,TEFC,145T,1/60/115/208-230  
Totally Enclosed Fan Cooled (TEFC)



Regal and Marathon are trademarks of Regal Beloit Corporation or one of its affiliated companies.

©2018 Regal Beloit Corporation, All Rights Reserved. MC017097E





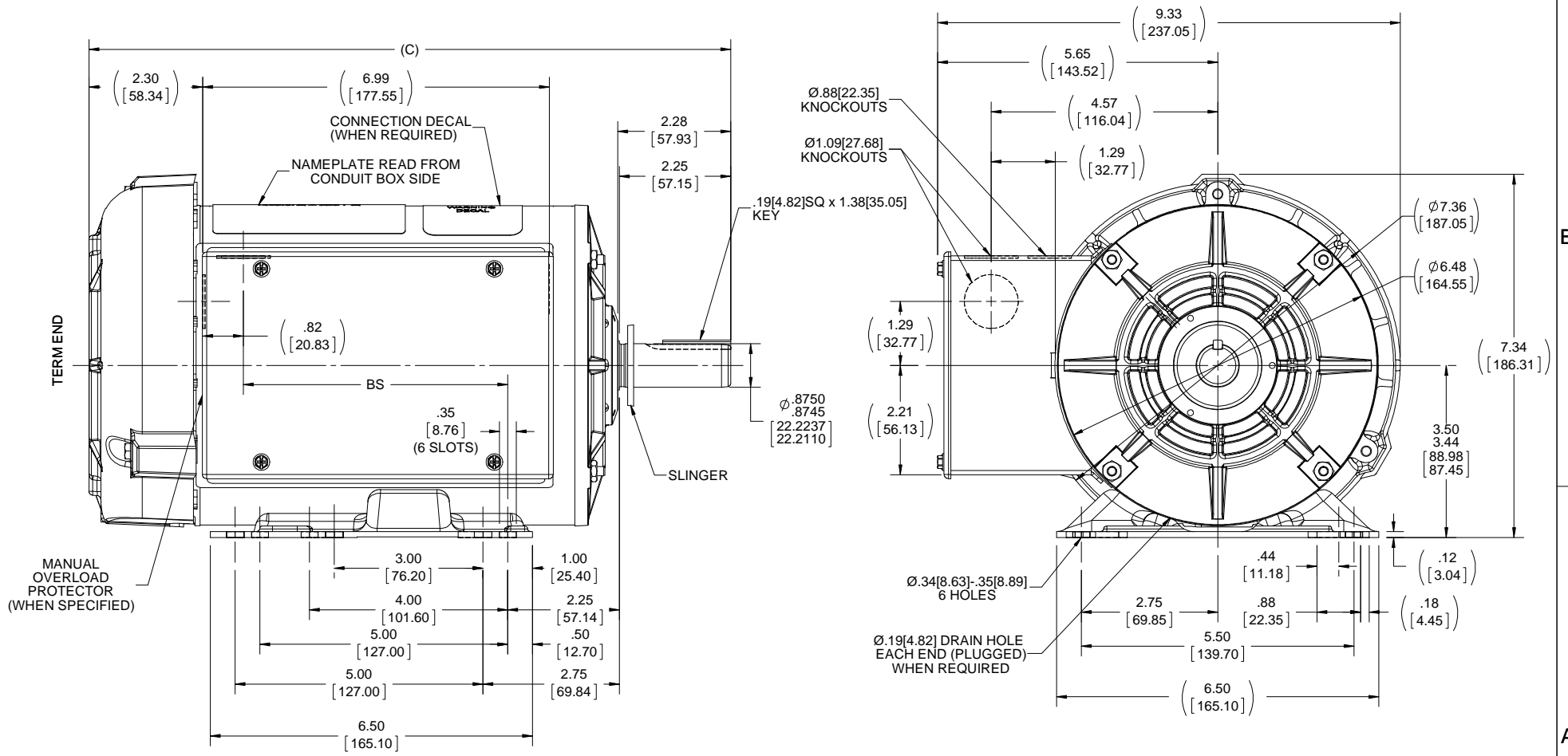
### Nameplate Specifications

Output HP	<b>1.50 Hp</b>	Output KW	<b>1.1 kW</b>
Frequency	<b>60 Hz</b>	Voltage	<b>115/208-230 V</b>
Current	<b>15.2/8.2-7.6 A</b>	Speed	<b>1740 rpm</b>
Service Factor	<b>1.15</b>	Phase	<b>1</b>
Efficiency	<b>80 %</b>	Duty	<b>Continuous</b>
Insulation Class	<b>B</b>	Design Code	<b>L</b>
KVA Code	<b>J</b>	Frame	<b>145T</b>
Enclosure	<b>Totally Enclosed Fan Cooled</b>	Overload Protector	<b>Manual</b>
Ambient Temperature	<b>40 °C</b>	Drive End Bearing Size	<b>6205</b>
Opp Drive End Bearing Size	<b>6203</b>	UL	<b>Recognized</b>
CSA	<b>Y</b>	CE	<b>Y</b>
IP Code	<b>43</b>		

### Technical Specifications

Electrical Type	<b>Capacitor Start Capacitor Run</b>	Starting Method	<b>Across The Line</b>
Poles	<b>4</b>	Rotation	<b>Selective Counterclockwise</b>
Mounting	<b>Rigid base</b>	Motor Orientation	<b>Horizontal</b>
Drive End Bearing	<b>Ball</b>	Opp Drive End Bearing	<b>Ball</b>
Frame Material	<b>Rolled Steel</b>	Shaft Type	<b>T</b>
Overall Length	<b>13.87 in</b>	Frame Length	<b>8.56 in</b>
Shaft Diameter	<b>0.875 in</b>	Shaft Extension	<b>2.28 in</b>
Assembly/Box Mounting	<b>F1 Only</b>		
Outline Drawing	<b>A-100116-856</b>	Connection Diagram	<b>102006-52</b>

This is an uncontrolled document once printed or downloaded and is subject to change without notice. Date Created: 06/29/2018



DASH	C	BS
756	12.94 [328.67]	5.33 [135.38]
806	13.44 [341.37]	5.83 [148.08]
856	13.94 [354.07]	6.33 [160.78]
906	14.44 [366.77]	6.83 [173.48]
956	14.94 [379.47]	7.33 [186.18]

DRAWING REVISION L	REVISION BY H. ADIKE	DATE 03-22-2018
ECO ECO-0143026	APPROVED BY PST	DATE 04/12/2018
ECO DESCRIPTION <b>OUTLINE CONVERSION PROJECT</b>		
<small>COPYRIGHT REGAL BELOIT AMERICA, INC. ALL RIGHTS RESERVED.          PROPRIETARY AND CONFIDENTIAL INFORMATION - THIS DOCUMENT IS THE PROPERTY OF          REGAL BELOIT AMERICA, INC. (OWNER) AND CONTAINS OWNER'S PROPRIETARY          INFORMATION. ANY PERSON, CORPORATION OR OTHER FIRM RECEIVING IT IS DEEMED,          BY RECEIVING IT, TO AGREE THAT IT, AND/OR ANY PART OF IT, SHALL NOT BE DISCLOSED          TO ANY PERSON, CORPORATION OR OTHER ENTITY, DUPLICATED, AND/OR USED, EXCEPT          AS EXPRESSLY APPROVED IN WRITING IN ADVANCE BY OWNER. THIS DOCUMENT SHALL          BE RETURNED TO OWNER UPON REQUEST. IT MAY BE SUBJECT TO CERTAIN          RESTRICTIONS UNDER APPLICABLE EXPORT CONTROL LAWS AND REGULATIONS.</small>		

TOLERANCES UNLESS OTHERWISE SPECIFIED:			
DEC.	INCH	mm	ANGLE
-X	+0.1	[±2.5]	±7-30°
.XX	+0.03	[±0.76]	
.XXX	+0.005	[±0.127]	
.XXXX	+0.0005	[±0.0127]	
REMOVE BURRS & BREAK SHARP EDGES: .003/.015 [0.076/.381] X 45°			
CORNER FILLETS: R.02 [51]			
MACHINED SURFACES: 200 INCH 5.1 mm			
mm SHOWN IN [BRACKETS]			

DRAWN BY RM	DATE 08-12-1991
APPROVED BY GK	DATE 08-12-1991
REFERENCE 100116	THIRD ANGLE PROJECTION

**REGAL**™ Regal Beloit America, Inc.

DESCRIPTION  
**OUTLINE**  
140 FR. 56 HZ - TEFC 1Ø - BB

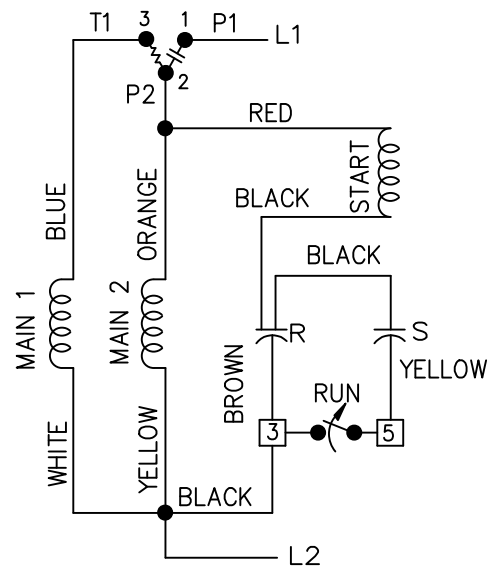
MATERIAL  
PROCESS/FINISH

SIZE  
**B**

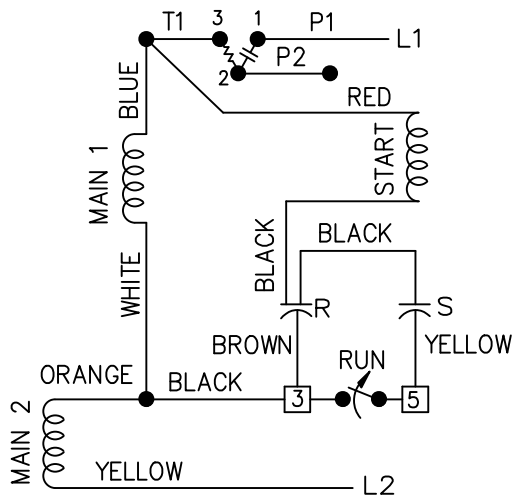
DRAWING NUMBER  
**100116**

SHEET  
**1 OF 1**

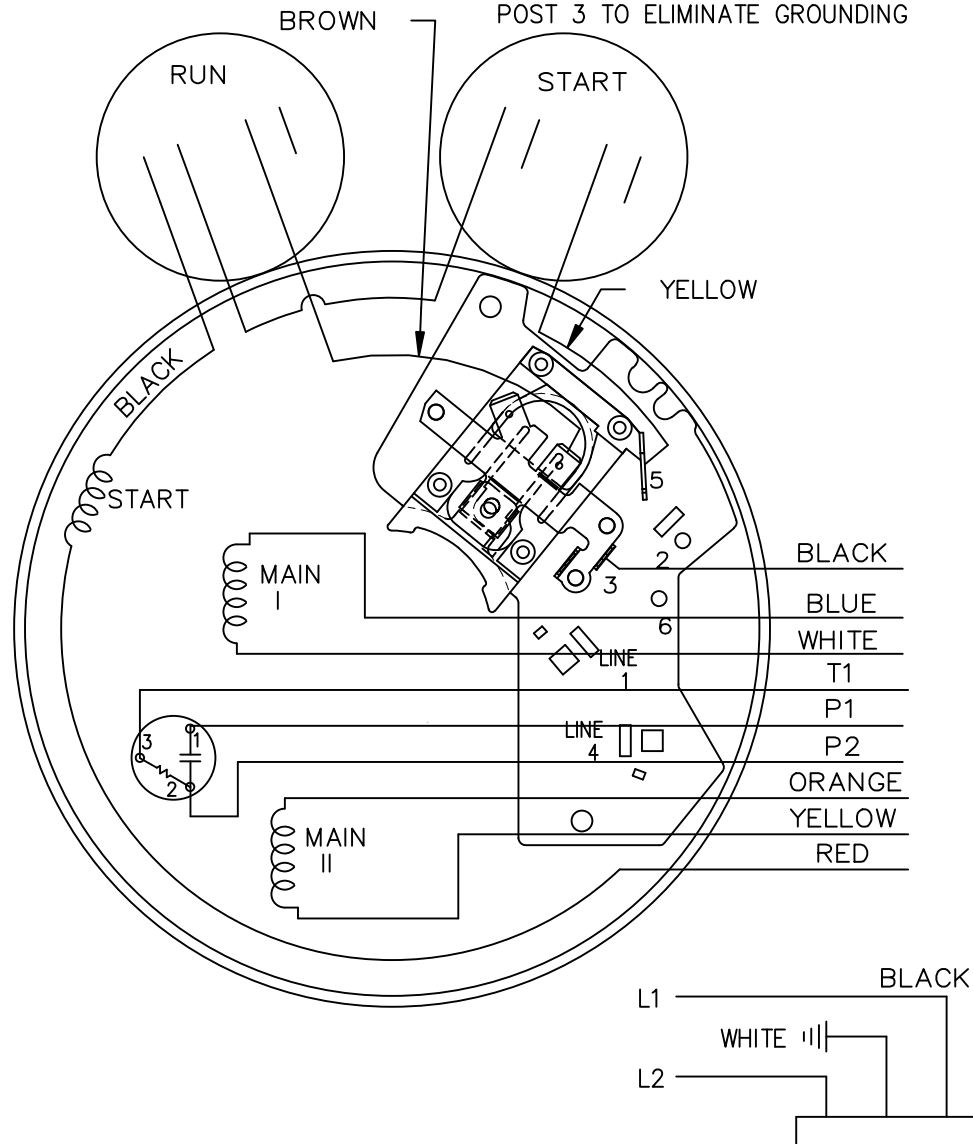
LOW VOLTAGE C.C.W.



HIGH VOLTAGE C.C.W.



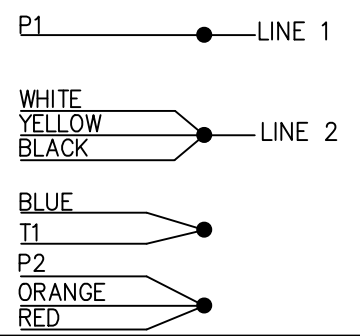
BROWN LEAD MAYBE CONNECTED ON POST 3 TO ELIMINATE GROUNDING



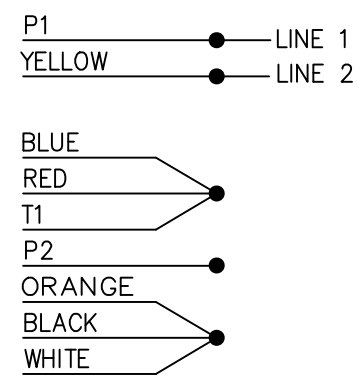
102006-52

DUAL VOLTAGE  
CAP START-CAP RUN  
OVERLOAD  
SELECT ROTATION

LOW VOLT. CCW ROT.



HIGH VOLT. CCW ROT.



FOR CW ROT. EITHER  
VOLTAGE INTERCHANGE  
RED WITH BLACK LEAD.

13	CHG'ED SWITCH TO OPEN WHEN RUNNING ISAAC 11-2715	KBB 06-23-2011	EH	TOLERANCES UNLESS SPECIFIED	
12	REMOVE 1,2,3 & 4 ON LOW & HIGH VOLT CN 31436	TJB 02-14-2002	DRS	DEC.	INCHES
11	REMOVE BRAKE VIEW CN 31436	TJB 01-30-2002	DRS	.X	±.1
10	ADDED BROW LEAD DETAIL NOTE CN 24300-323	BJW 02-28-2000		.XX	±.02
9	ADDED CORD VIEW MU20434	BLR 07-01-1998		.XXX	±.005
8	CAP LEAD COLORS REVISED CN 16210	AJS 08-29-1994		.XXXX	±.0005
NO.	REVISION	BY & DATE	CHK	ANG	±7'30"



TITLE CONNECTION DIAGRAM

MAT'L.  
FINISH

DRAWN ML	05-09-1992
CHK GK	05-09-1992
APPD FG	05-19-1992
SCALE	5=8
REF	
FMF	
PREV	

THIS DRAWING IN DESIGN AND DETAIL IS OUR PROPERTY AND MUST NOT BE USED EXCEPT IN CONNECTION WITH OUR WORK ALL RIGHTS OF DESIGN AND INVENTION ARE RESERVED THIS IS AN ELECTRONICALLY GENERATED DOCUMENT - DO NOT SCALE THIS PRINT

RFP	CAD FILE 102006-52	SIZE	DRAWING NO.	PAGE	OF	REV.
DIST WP		A	102006-52			13

CERTIFICATION DATA SHEET

Model#: 145TBFR5327 AF WINDING#: ZB406 NONE 3  
 CONN. DIAGRAM: 102006-52 ASSEMBLY: F1 ONLY  
 OUTLINE: A-100116-856

TYPICAL MOTOR PERFORMANCE DATA

HP	KW	SYNC. RPM	F.L. RPM	FRAME	ENCLOSURE	KVA CODE	DESIGN
1 1/2	1.12	1800	1740	145T	TEFC	J	L

PH	Hz	VOLTS	FL AMPS	START TYPE	DUTY	INSL	S.F	AMB°C	ELEVATION
1	60	115/208-230	15.2/8.2-7.6	ACROSS THE LINE	CONTINUOUS	B3	1.15	40	3300

FULL LOAD EFF: 80	3/4 LOAD EFF: 80.5	1/2 LOAD EFF: 76.1	GTD. EFF	ELEC. TYPE	NO LOAD AMPS
FULL LOAD PF: 80	3/4 LOAD PF: 71.2	1/2 LOAD PF: 61	0	CAP START CAP RUN	8.1 / 4.1

F.L. TORQUE	LOCKED ROTOR AMPS	L.R. TORQUE	B.D. TORQUE	F.L. RISE°C
4.51 LB-FT	107.6 / 53.8	14.8 LB-FT 328	12.4 LB-FT 275	70

SOUND PRESSURE @ 3 FT.	SOUND POWER	ROTOR WK^2	MAX. WK^2	SAFE STALL TIME	STARTS /HOUR	APPROX. MOTOR WGT
0 dBA	10 dBA	0 LB-FT^2	0 LB-FT^2	0 SEC.	0	0 LBS.

\*\*\* SUPPLEMENTAL INFORMATION \*\*\*

DE BRACKET TYPE	ODE BRACKET TYPE	MOUNT TYPE	ORIENTATION	SEVERE DUTY	HAZARDOUS LOCATION	DRIP COVER	SCREENS	PAINT
STANDARD	STANDARD	RIGID	HORIZONTAL	FALSE	NONE	FALSE	NONE	GRAY (POWDER)

BEARINGS		GREASE	SHAFT TYPE	SPECIAL DE	SPECIAL ODE	SHAFT MATERIAL	FRAME MATERIAL
DE	OPE						
BALL	BALL	POLYREX EM	T	NONE	NONE	1144 STRESSPROOF (C-223)	ROLLED STEEL
6205	6203						

THERMO-PROTECTORS				THERMISTORS	CONTROL	SPACE /n HEATERS
THERMOSTATS	PROTECTORS	WDG RTDs	BRG RTDs			
NONE	MANUAL	NONE	NONE	NONE	FALSE	NONE VOLTS

If Inverter equals NONE, contact factory for further information

\*  
N  
O  
T  
E  
S  
\*

INVERTER TORQUE: NONE
INV. HP SPEED RANGE: NONE
ENCODER: NONE
NONE NONE
NONE NONE PPR
BRAKE: PROVISIONS FOR KIT NONE
NONE P/N NONE
NONE NONE
NONE FT-LB NONE V NONE Hz

DATE: 06/23/2017 01:37:11 AM  
 FORM 3531 REV.3 02/07/99  
 \*\* Subject to change without notice.