

# PRODUCT INFORMATION PACKET

Model No: 143TTFR5582  
Catalog No: E2003  
1 1/2,3600,TEFC,143TC,3/60/230/460  
Totally Enclosed Fan Cooled (TEFC)



Regal and Marathon are trademarks of Regal Beloit Corporation or one of its affiliated companies.

©2018 Regal Beloit Corporation, All Rights Reserved. MC017097E





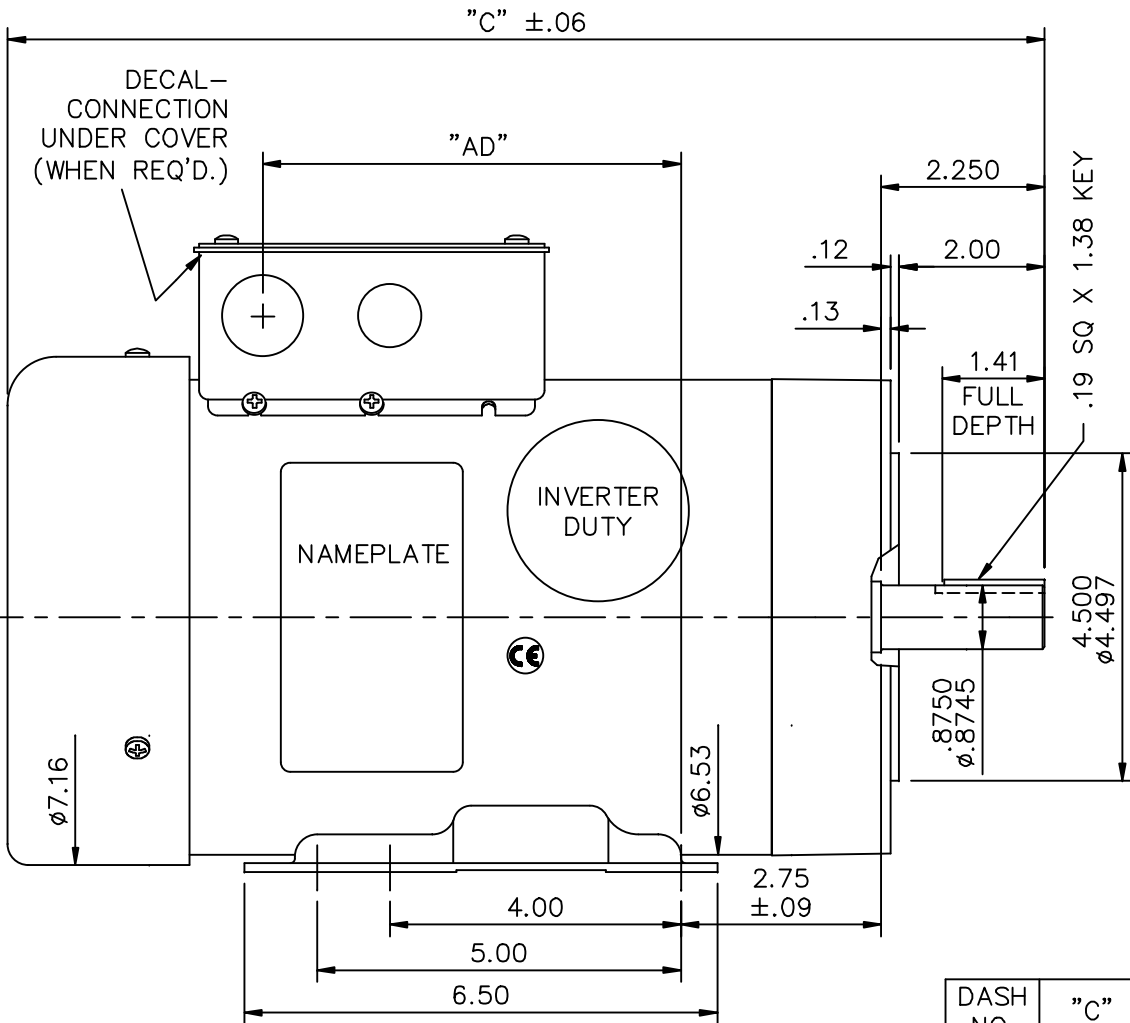
### Nameplate Specifications

Output HP	<b>1.50 Hp</b>	Output KW	<b>1.1 kW</b>
Frequency	<b>60 Hz</b>	Voltage	<b>230/460 V</b>
Current	<b>4.0/2.0 A</b>	Speed	<b>3490 rpm</b>
Service Factor	<b>1.15</b>	Phase	<b>3</b>
Efficiency	<b>84 %</b>	Duty	<b>Continuous</b>
Insulation Class	<b>F</b>	Design Code	<b>B</b>
KVA Code	<b>M</b>	Frame	<b>143TC</b>
Enclosure	<b>Totally Enclosed Fan Cooled</b>	Overload Protector	<b>No</b>
Ambient Temperature	<b>40 °C</b>	Drive End Bearing Size	<b>6205</b>
Opp Drive End Bearing Size	<b>6203</b>	UL	<b>Recognized</b>
CSA	<b>Y</b>	CE	<b>Y</b>
IP Code	<b>43</b>		

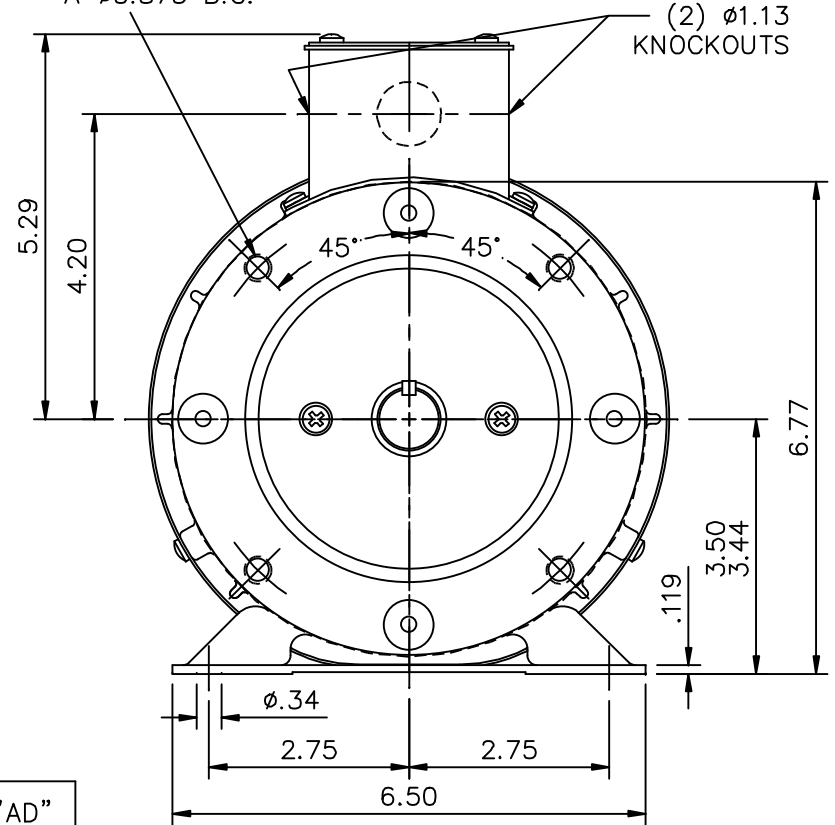
### Technical Specifications

Electrical Type	<b>Squirrel Cage Induction Run</b>	Starting Method	<b>Across The Line</b>
Poles	<b>2</b>	Rotation	<b>Reversible</b>
Mounting	<b>Rigid base</b>	Motor Orientation	<b>Horizontal</b>
Drive End Bearing	<b>Ball</b>	Opp Drive End Bearing	<b>Ball</b>
Frame Material	<b>Rolled Steel</b>	Shaft Type	<b>T</b>
Overall Length	<b>13.75 in</b>	Frame Length	<b>7.50 in</b>
Shaft Diameter	<b>0.875 in</b>	Shaft Extension	<b>2.25 in</b>
Assembly/Box Mounting	<b>F3</b>		
Outline Drawing	<b>028605-750</b>	Connection Diagram	<b>005010-01ME</b>

This is an uncontrolled document once printed or downloaded and is subject to change without notice. Date Created: 06/29/2018



(4) 3/8-16 UNC-2B  
X .56 DEEP ON  
A φ5.875 B.C.



DASH NO.	"C"	"AD"
650	12.75	4.25
700	13.25	4.75
750	13.75	5.25
800	14.25	5.75


GASKETS THROUGHOUT  
MAXIMUM FACE RUNOUT .004 T.I.R.  
MAXIMUM PILOT ECCENTRICITY .004 T.I.R.  
PERMISSIBLE SHAFT RUNOUT .002 T.I.R.

			TOLERANCES UNLESS SPECIFIED		MARATHON ELECTRIC	DRAWN LST 7/1/04			
			DEC.	INCHES		CHK RW 7/1/04			
			.X	±.1	TITLE OUTLINE- 143/145TC FRAME TEFC- RIGID "C"  MAT'L. GENERAL PURPOSE  FINISH	APPD KH 7/1/04	SCALE 3=8		
02	ADDED CE DECAL; ECR 89629	KLS 4/13/06	.XXX	±.005		REF			
01	REMOVED WATSAVER DECAL	RLW 7/21/04	.XXXX	±.0005		FMF			
NO.	REVISION	BY & DATE	CHK	ANG ±1/2'		PREV			
THIS DRAWING IN DESIGN AND DETAIL IS OUR PROPERTY AND MUST NOT BE USED EXCEPT IN CONNECTION WITH OUR WORK ALL RIGHTS OF DESIGN AND INVENTION ARE RESERVED THIS IS AN ELECTRONICALLY GENERATED DOCUMENT - DO NOT SCALE THIS PRINT			RFP		CAD FILE	028605	SIZE A	DRAWING NO. 028605	REV. 02
			DIST						

VIEW FROM OUTSIDE OF MOTOR AT SWITCH END.



VOLTAGE	L1	L2	L3	JOIN & INSULATE
HIGH	T1	T2	T3	(T4,T7) (T5,T8) (T6,T9)
LOW	T1,T7	T2,T8	T3,T9	T4,T5,T6

		TOLERANCES UNLESS SPECIFIED		 MARATHON ELECTRIC DRAWN RDW 04/12/02 CHK APPD				
		DEC.	INCHES			SCALE	1=1	
		.X	±.1	TITLE	EXTERNAL WIRING DIAGRAM 3 PHASE W/O PROTECTOR			
		.XX	±.01	MAT'L.	DECAL - 004014			
		.XXX	±.005	FINISH				
		.XXXX	±.0005					
NO.	REVISION	BY & DATE	CHK	ANG	±1/2'	SIZE	DRAWING NO.	REV.
			RFP	04/12/02		A	005010-01ME	
			DIST					

THIS DRAWING IN DESIGN AND DETAIL IS OUR PROPERTY AND MUST NOT BE USED EXCEPT IN CONNECTION WITH OUR WORK ALL RIGHTS OF DESIGN AND INVENTION ARE RESERVED THIS IS AN ELECTRONICALLY GENERATED DOCUMENT - DO NOT SCALE THIS PRINT

CERTIFICATION DATA SHEET

Model#: 143TTFR5582 BB WINDING#: T632173 FR 3  
 CONN. DIAGRAM: 005010-01ME ASSEMBLY: F3  
 OUTLINE: 028605-750

TYPICAL MOTOR PERFORMANCE DATA

HP	KW	SYNC. RPM	F.L. RPM	FRAME	ENCLOSURE	KVA CODE	DESIGN			
1 1/2&1 1/2	1.12&1.12	3600	3490&2890	143TC	TEFC	M	B			
PH	Hz	VOLTS	FL AMPS	START TYPE	DUTY	INSL	S.F	AMB°C	ELEVATION	
3	60/50	230/460#200/400	4/2&4.6/2.3	ACROSS THE LINE	CONTINUOUS	F4	1.15/1.15	40	3300	
FULL LOAD EFF: 84		3/4 LOAD EFF: 82.2		1/2 LOAD EFF: 79.1		GTD. EFF		ELEC. TYPE		NO LOAD AMPS
FULL LOAD PF: 82		3/4 LOAD PF: 76.3		1/2 LOAD PF: 64.7		0		SQ CAGE IND RUN		2 / 1
F.L. TORQUE		LOCKED ROTOR AMPS		L.R. TORQUE		B.D. TORQUE		F.L. RISE°C		
2.25 LB-FT		42 / 21		8.5 LB-FT 378		11.2 LB-FT 498		0		
SOUND PRESSURE @ 3 FT.	SOUND POWER	ROTOR WK^2	MAX. WK^2	SAFE STALL TIME	STARTS /HOUR	APPROX. MOTOR WGT				
0 dBA	10 dBA	0.06 LB-FT^2	0.1 LB-FT^2	10 SEC.	0	0 LBS.				

\*\*\* SUPPLEMENTAL INFORMATION \*\*\*

DE BRACKET TYPE	ODE BRACKET TYPE	MOUNT TYPE	ORIENTATION	SEVERE DUTY	HAZARDOUS LOCATION	DRIP COVER	SCREENS	PAIN
C-FACE	STANDARD	RIGID	HORIZONTAL	FALSE	NONE	FALSE	NONE	BLUE (ENAMEL)

BEARINGS		GREASE	SHAFT TYPE	SPECIAL DE	SPECIAL ODE	SHAFT MATERIAL	FRAME MATERIAL
DE	OPE	POLYREX EM	T	NONE	NONE	1144 STRESSPROOF (C-223)	ROLLED STEEL
BALL	BALL						
6205	6203						

THERMO-PROTECTORS				THERMISTORS	CONTROL	SPACE /n HEATERS
THERMOSTATS	PROTECTORS	WDG RTDs	BRG RTDs	NONE	FALSE	NONE VOLTS
NONE	NOT	NONE	NONE			

If Inverter equals NONE, contact factory for further information

\*  
N  
O  
T  
E  
S  
\*

INVERTER TORQUE: NONE
INV. HP SPEED RANGE: NONE
ENCODER: NONE
NONE NONE
NONE NONE PPR
BRAKE: NONE NONE
NONE P/N NONE
NONE NONE
NONE FT-LB NONE V NONE Hz

DATE: 06/23/2017 12:28:38 AM  
 FORM 3531 REV.3 02/07/99  
 \*\* Subject to change without notice.

Data Sheet

1431TFR5582



Submittal  
Data @ 460 V

Date: 6/29/2017

Customer:   
Attention:   
Submitted by: FAREEDA DUDEKULA

Load	Motor Load Data					
	0%	25%	50%	75%	100%	LR
Current (Amps)	1.00	1.14	1.39	1.69	2.00	2.30
Torque (ft-lb)	0.00	0.56	1.12	1.68	2.25	2.80
RPM	3600	3570	3549	3535	3500	3480
Efficiency (%)		67.6	78.9	81.9	84.0	84.4
P.F. (%)	12.6	46.2	64.7	76.5	83.6	85.1

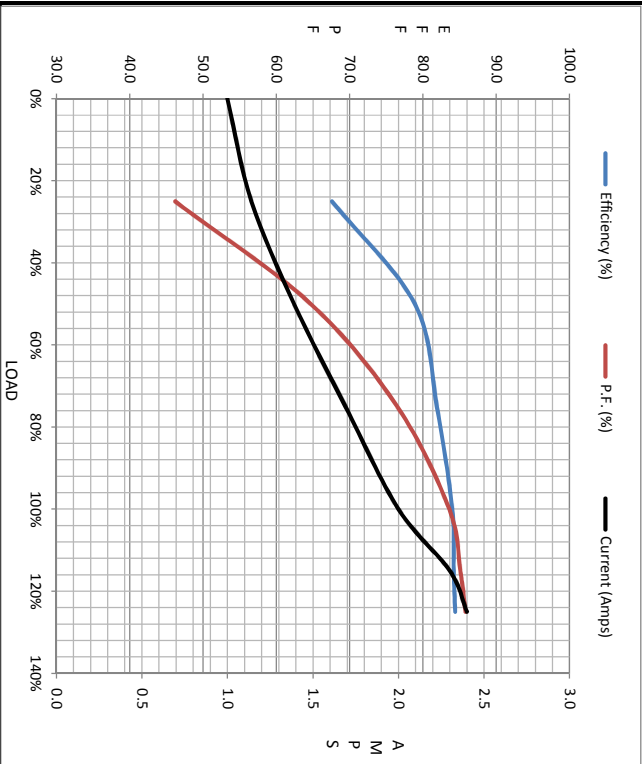
Motor Speed Data

	LR	Pull-Up	BD	Rated	Idle
Speed (rpm)	0	220	2200	3500	3600
Current (Amps)	20.1	18.5	16.0	2.00	1.00
Torque (ft-lb)	8.9	8.6	10.7	2.25	0.00

Information Block

HP	1.5
Sync. RPM	3600
Frame	140
Enclosure	TEFC
Construction	TFR
Voltage	30/460/200/40 V
Frequency	60 HZ
Design	A
LR Code letter	M
Service Factor	1.15
Temp Rise @ FL	50 °C
Duty	CONT
Ambient	40 °C
Elevation	1,000 feet
Rotor/Shaft wkt	0.06 Lb-Fe
Rel Wdg	T692173 FR
Sound Pressure @ 1M	0 dBA
VFD Rating	NONE
Outline Dwg	028605-750
Conn. Diag	005010-01ME
Additional Specifications:	
0	

EQUIV CKT (OHMS / PHASE)				
R1	R2	X1	X2	Xm
0.0000	0.0000	0.0000	0.0000	0.0000



Speed - Torque Curve

