

PRODUCT INFORMATION PACKET

marathon[®]
Motors

Model No: 143TTFN6526
Catalog No: E374
1,1800,TEFC,143T,3/60/460
Severe Duty



Regal and Marathon are trademarks of Regal Beloit Corporation or one of its affiliated companies.
©2018 Regal Beloit Corporation, All Rights Reserved. MC017097E

REGAL[®]



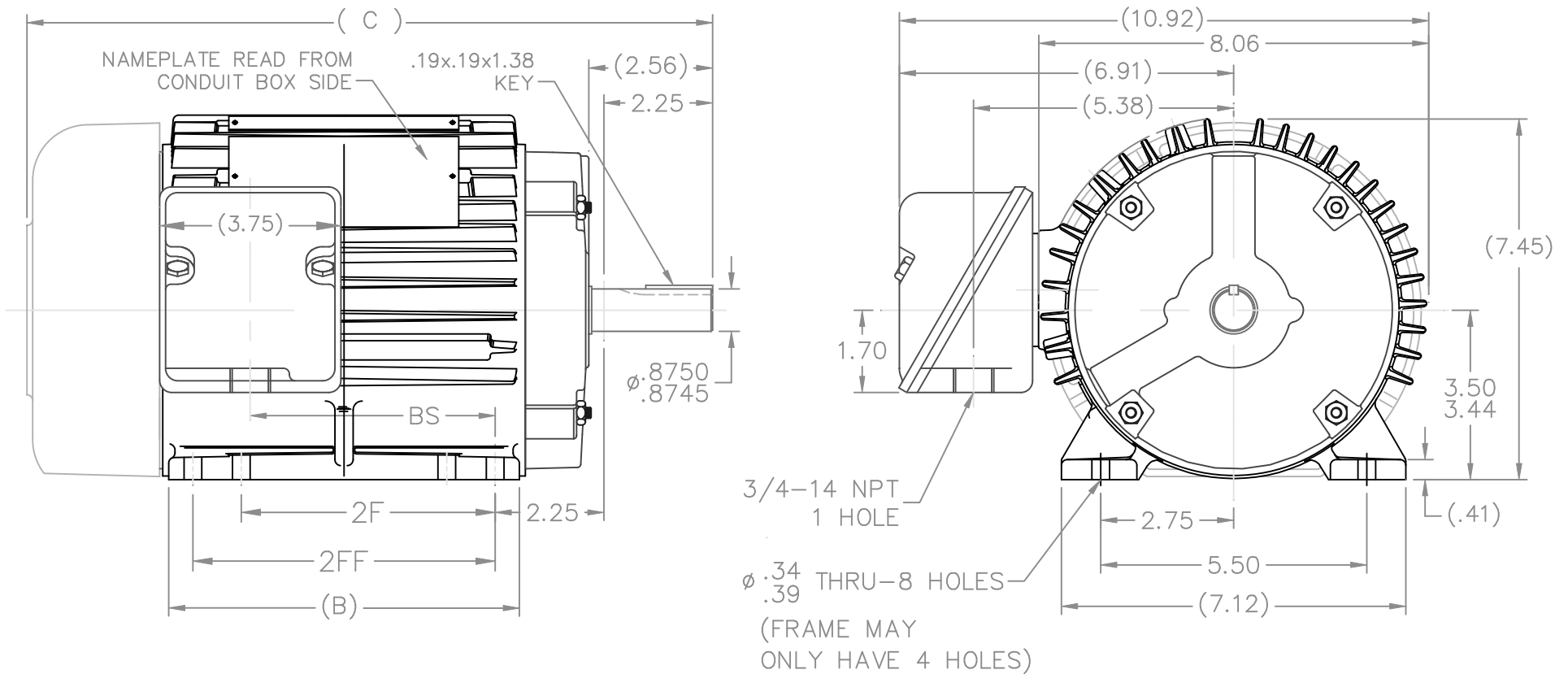
Nameplate Specifications

Output HP	1 Hp	Output KW	0.75 kW
Frequency	60 Hz	Voltage	460 V
Current	1.5 A	Speed	1735 rpm
Service Factor	1.25	Phase	3
Efficiency	85.5 %	Duty	Continuous
Insulation Class	F	Design Code	B
KVA Code	M	Frame	143T
Enclosure	Totally Enclosed Fan Cooled	Overload Protector	No
Ambient Temperature	40 °C	Drive End Bearing Size	6205
Opp Drive End Bearing Size	6203	UL	Recognized
CSA	Y	CE	Y
IP Code	54		

Technical Specifications

Electrical Type	Squirrel Cage Inverter Rated	Starting Method	Line Or Inverter
Poles	4	Rotation	Reversible
Mounting	Rigid base	Motor Orientation	Horizontal
Drive End Bearing	Ball	Opp Drive End Bearing	Ball
Frame Material	Cast Iron	Shaft Type	T
Overall Length	12.92 in	Frame Length	6.25 in
Shaft Diameter	0.875 in	Shaft Extension	2.56 in
Assembly/Box Mounting	F1/F2 Capable		
Outline Drawing	A-100634-625	Connection Diagram	A-EE7300

This is an uncontrolled document once printed or downloaded and is subject to change without notice. Date Created: 06/29/2018



- NOTES:
 1- BOX CAN BE ROTATED IN 90° STEPS.
 2- BOX CAN BE MOUNTED ON OPPOSITE SIDE BY REMOVING BRACKETS AND TURNING FRAME 180°.

DASH	FR.	B	C	BS	2F	2FF
525	143T	5.00	11.92	2.81	4.00	-
625	145T	6.00	12.92	3.81	-	5.00
625	143T	6.00	12.92	3.81	4.00	-

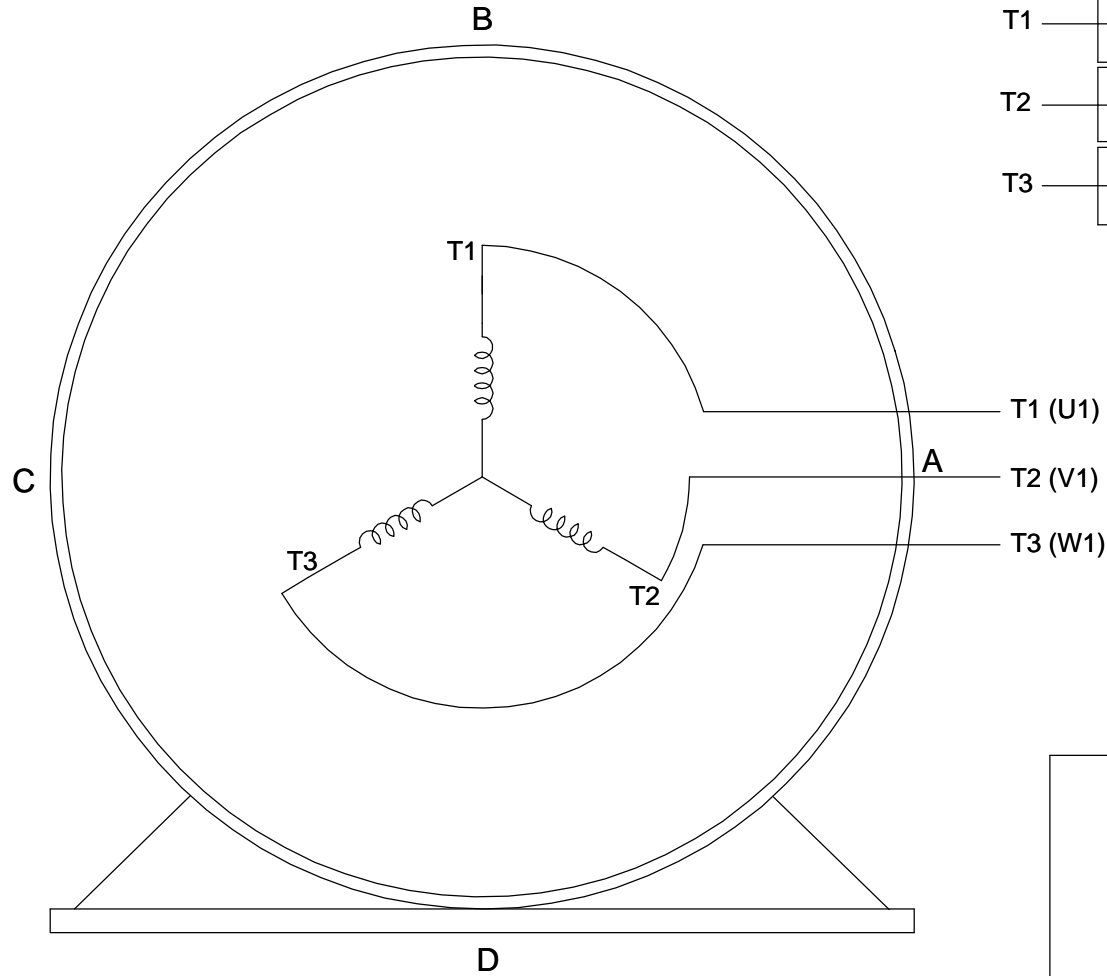
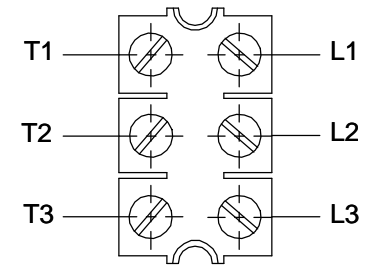
NO.	REVISION	BY & DATE	CHK	ANG	±7'30"	FINISH	PREV
7	REVISED NOTE FOR HOLES IN BASE	MU 49743	ERH	02-12-2004	PJB	TOLERANCES UNLESS SPECIFIED	DRAWN SMC 08-19-1992
6	ADDED 2FF TO DRAWING	MU 49743	ERH	02-05-2004	LAW	DEC. INCHES	CHK MOL 08-25-1992
5	CHANGED TO 4 HOLES REMOVED - 750 CN 2900-3336		NJS	01-02-2004	PJB	.X ±.1	APPD GK 08-25-1992
4	ADDED 4 HOLES TO BASE (WAS4, NOW 8)	MU41165	MSG	04-09-2002	SAS	.XX ±.03	SCALE 5=16
3	2.81 BS DIM. WAS 3.51	CN 21725-944	DRS	10-09-1996		.XXX ±.005	REF
2	REVISED, 806 WAS 7.75		DJK	12-22-1992		.XXXX ±.0005	FMF
						ANG ±7'30"	
			RFP			CAD FILE 100634	SIZE A DRAWING NO. 100634 PAGE OF 7 REV. 7
			DIST	WP			

THIS DRAWING IN DESIGN AND DETAIL IS OUR PROPERTY AND MUST NOT BE USED EXCEPT IN CONNECTION WITH OUR WORK ALL RIGHTS OF DESIGN AND INVENTION ARE RESERVED THIS IS AN ELECTRONICALLY GENERATED DOCUMENT - DO NOT SCALE THIS PRINT

**THREE PHASE - SINGLE VOLTAGE
MOTOR - CONDUIT BOX @ 'A'**

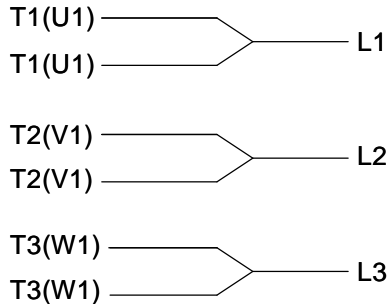
**TO REVERSE ROTATION:
INTERCHANGE ANY TWO
LINE LEAD CONNECTIONS.**

TERMINAL BLOCK WHEN SPECIFIED



VIEW OF TERMINAL END

**IF MOTOR HAS
6 LEADS**

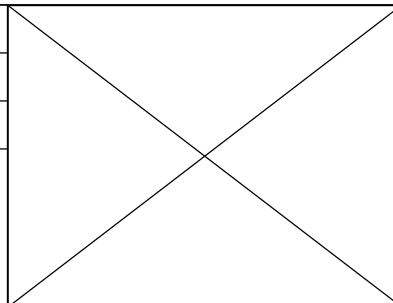



A-9806 DECAL

**OPTIONAL CORD
CONNECTION**

- L1 _____ WHITE _____
- L2 _____ RED _____
- L3 _____ BLACK _____

DRAWING REVISION AB	REVISION BY JJB	DATE 06-27-2017
ECO ECO-0125361	APPROVED BY TB	DATE 06-27-2017
ECO DESCRIPTION UPDATED TO CURRENT STANDARDS		
<small>COPYRIGHT REGAL BELOIT AMERICA, INC. ALL RIGHTS RESERVED. PROPRIETARY AND CONFIDENTIAL INFORMATION - THIS DOCUMENT IS THE PROPERTY OF REGAL BELOIT AMERICA, INC. ("OWNER") AND CONTAINS OWNER'S PROPRIETARY INFORMATION. ANY PERSON, CORPORATION OR OTHER FIRM RECEIVING IT IS DEEMED, BY RECEIVING IT, TO AGREE THAT IT, AND/OR ANY PART OF IT, SHALL NOT BE DISCLOSED TO ANY PERSON, CORPORATION OR OTHER ENTITY, DUPLICATED, AND/OR USED, EXCEPT AS EXPRESSLY APPROVED IN WRITING IN ADVANCE BY OWNER. THIS DOCUMENT SHALL BE RETURNED TO OWNER UPON REQUEST. IT MAY BE SUBJECT TO CERTAIN RESTRICTIONS UNDER APPLICABLE EXPORT CONTROL LAWS AND REGULATIONS.</small>		



DRAWN BY DA	 Regal Beloit America, Inc.
DATE 03-26-1993	
APPROVED BY TB	DESCRIPTION CONNECTION DIAGRAM EXTERNAL - SINGLE VOLTAGE - 3Ø MOTOR
DATE 03-26-1993	MATERIAL
REFERENCE	PROCESS/FINISH
THIRD ANGLE PROJECTION	SIZE A
	DRAWING NUMBER EE7300
	SHEET 1 OF 1

CERTIFICATION DATA SHEET

Model#: 143TTFN6526 AA WINDING#: ZT492 R16 6
 CONN. DIAGRAM: A-EE7300 ASSEMBLY: F1/F2 CAPABLE
 OUTLINE: A-100634-625

TYPICAL MOTOR PERFORMANCE DATA

HP	KW	SYNC. RPM	F.L. RPM	FRAME	ENCLOSURE	KVA CODE	DESIGN
1&1	.75&.75	1800	1735&1445	143T	TEFC	M	B

PH	Hz	VOLTS	FL AMPS	START TYPE	DUTY	INSL	S.F	AMB°C	ELEVATION
3	60/50	460#380	1.5&1.7	LINE OR INVERTER	CONTINUOUS	F3	1.25/1.0	40	3300

FULL LOAD EFF: 85.5&84.5	3/4 LOAD EFF: 85.5	1/2 LOAD EFF: 84	GTD. EFF	ELEC. TYPE	NO LOAD AMPS
FULL LOAD PF: 72&77.5	3/4 LOAD PF: 67	1/2 LOAD PF: 53.5	82.5	SQ CAGE INV RATED	.9

F.L. TORQUE	LOCKED ROTOR AMPS	L.R. TORQUE	B.D. TORQUE	F.L. RISE°C
3 LB-FT	13.5	11 LB-FT 367	14 LB-FT 467	21

SOUND PRESSURE @ 3 FT.	SOUND POWER	ROTOR WK^2	MAX. WK^2	SAFE STALL TIME	STARTS /HOUR	APPROX. MOTOR WGT
60 dBA	70 dBA	0.1 LB-FT^2	7 LB-FT^2	20 SEC.	2	55 LBS.

*** SUPPLEMENTAL INFORMATION ***

DE BRACKET TYPE	ODE BRACKET TYPE	MOUNT TYPE	ORIENTATION	SEVERE DUTY	HAZARDOUS LOCATION	DRIP COVER	SCREENS	PAINT
STANDARD	STANDARD	RIGID	HORIZONTAL	PREMIUM SEVERE DUTY	DIVISION 2 T2B	FALSE	NONE	BLUE (POWDER)

BEARINGS		GREASE	SHAFT TYPE	SPECIAL DE	SPECIAL ODE	SHAFT MATERIAL	FRAME MATERIAL
DE	OPE						
BALL	BALL	POLYREX EM	T	NONE	NONE	1144 STRESSPROOF (C-223)	CAST IRON
6205	6203						

THERMO-PROTECTORS				THERMISTORS	CONTROL	SPACE /n HEATERS
THERMOSTATS	PROTECTORS	WDG RTDs	BRG RTDs			
NONE	NOT	NONE	NONE	NONE	FALSE	NONE VOLTS

If Inverter equals NONE, contact factory for further information

*
N
O
T
E
S
*

INVERTER TORQUE: CONSTANT 20:1
INV. HP SPEED RANGE: NONE
ENCODER: NONE
NONE NONE
NONE NONE PPR
BRAKE: NONE NONE
NONE P/N NONE
NONE NONE
NONE FT-LB NONE V NONE Hz

DATE: 06/22/2017 07:49:46 AM
 FORM 3531 REV.3 02/07/99
 ** Subject to change without notice.

Data Sheet

Date: 29-06-2017
 Customer: _____
 Attention: _____
 Submitted by: FAREEDA DUDEKULA



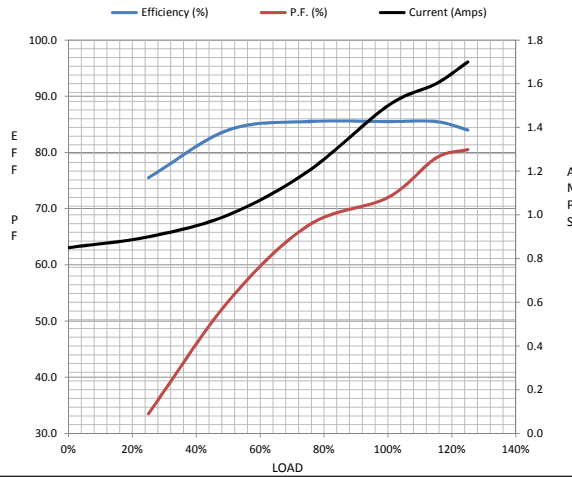
143TTFN6526

Submittal

Data @ 460 V

Motor Load Data									
Load	0%	25%	50%	75%	100%	115%	125%	LR	
Current (Amps)	0.85	0.90	1.00	1.20	1.50	1.60	1.70	13.5	
Torque (ft-lb)	0.00	0.74	1.50	2.20	3.0	3.5	3.8	11.0	
RPM	1800	1785	1770	1755	1735	1,730	1725	0	
Efficiency (%)		75.5	84.0	85.5	85.5	85.5	84.0		
P.F. (%)	10.0	33.5	53.5	67.0	72.0	79.0	80.5	67.0	

Motor Speed Data						Information Block	
	LR	Pull-Up	BD	Rated	Idle		
Speed (RPM)	0	900	1600	1735	1800	HP	1.0
Current (Amps)	13.5	12.1	9.0	1.50	0.85	Sync. RPM	1800
Torque (ft-lb)	11.0	9.9	14.0	3.0	0.00	Frame	143



Enclosure	TEFC			
Construction	TFN			
Voltage	460#380 V			
Frequency	60 Hz			
Design	A			
LR Code letter	M			
Service Factor	1.15			
Temp Rise @ FL	21 ° C			
Duty	CONT			
Ambient	40 ° C			
Elevation	1,000 feet			
Rotor/Shaft wk²	0.10 Lb-Ft²			
Ref Wdg	ZT492 R16			
Sound Pressure @ 1M	60 dBA			
VFD Rating	CONSTANT 20:1			
Outline Dwg	A-100E34-625			
Conn. Diag	A-EE7300			
Additional Specifications:				
0				
365THFS8036				
EQUIV CKT (OHMS / PHASE)				
R1	R2	X1	X2	Xm
7.8610	5.4770	11.6360	10.3590	300.8280

