

PRODUCT INFORMATION PACKET

Model No: 056T8O15504

Catalog No: X531

Refrigeration Motor, 1.50 & 1 HP, 3 Ph, 60 & 50 Hz, 208-230/460 & 190/380 V, 900 & 750 RPM,
56HZ Frame, OAO



Regal and Marathon are trademarks of Regal Rexnord Corporation or one of its affiliated companies.

©2023 Regal Rexnord Corporation, All Rights Reserved. MC017097E

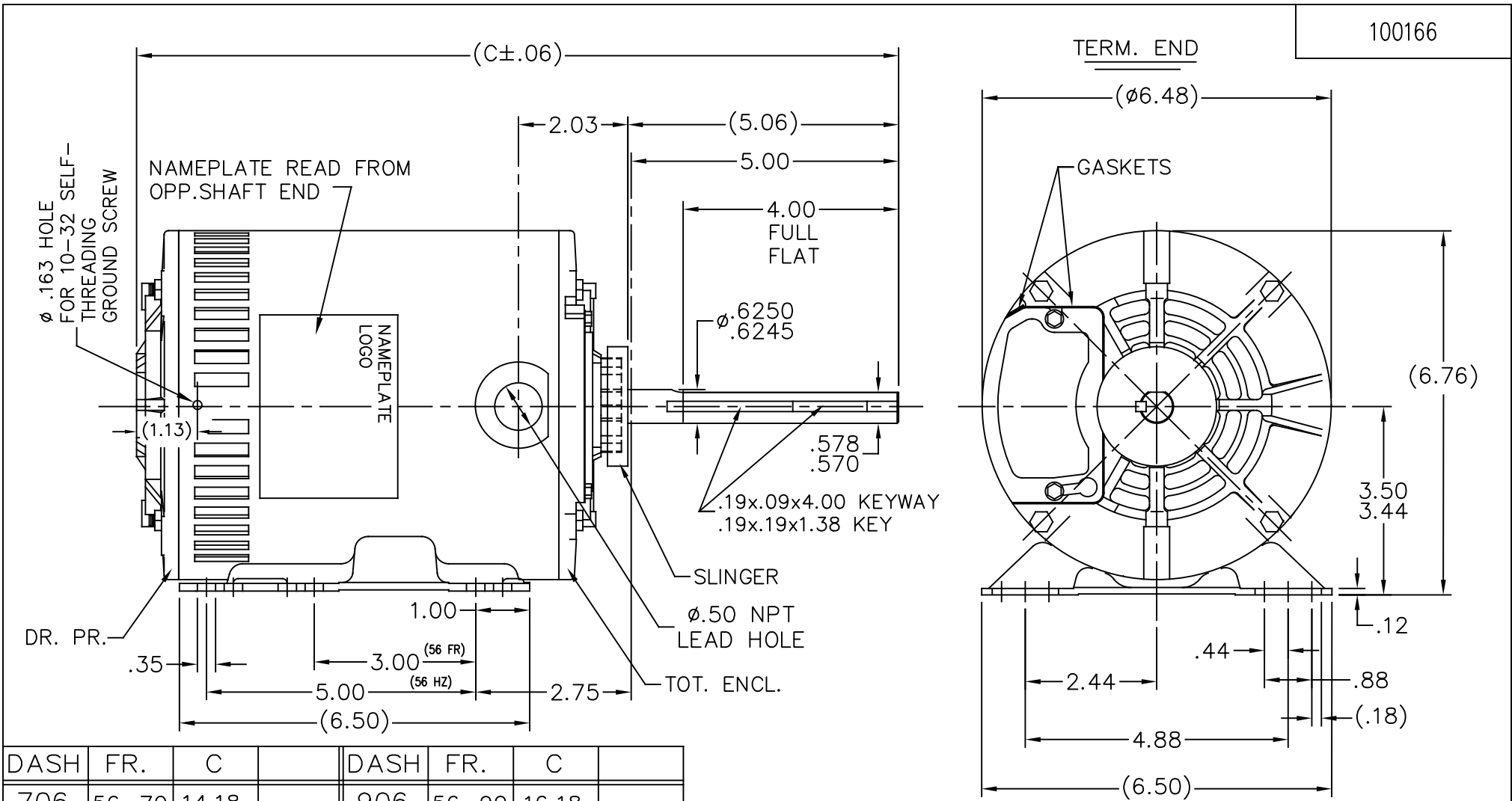


Nameplate Specifications

Phase	3	Output HP	1.50 & 1 Hp
Output KW	1.1 & 0.75 kW	Voltage	208-230/460 & 190/380 V
Speed	850 & 710 rpm	Service Factor	1.0 & 1.0
Frame	56HZ	Enclosure	Open Air Over
Thermal Protection	Automatic	Efficiency	73.5 & 72 %
Ambient Temperature	70 °C	Frequency	60 & 50 Hz
Current	7-7/3.5 & 5.8/2.9 A	Power Factor	60
Duty	Continuous	Insulation Class	H
Design Code	B	KVA Code	G
Drive End Bearing Size	6203	Opp Drive End Bearing Size	6203
UL	Recognized (Not Protector)	CSA	Y
CE	N	IP Code	10
Number of Speeds	1		

Technical Specifications

Electrical Type	Squirrel Cage Induction Run	Starting Method	Across The Line
Poles	8	Rotation	Reversible
Resistance Main	15.2 Ohms	Mounting	Rigid Base
Motor Orientation	Horizontal	Drive End Bearing	Ball
Opp Drive End Bearing	Ball	Frame Material	Rolled Steel
Shaft Type	Single Special Extension	Overall Length	16.68 in
Frame Length	9.56 in	Shaft Diameter	0.625 in
Shaft Extension	5.06 in	Assembly/Box Mounting	F1 ONLY
Connection Drawing	A-102007-1	Outline Drawing	A-100166-956



DASH	FR.	C	DASH	FR.	C
706	56-70	14.18	906	56-90	16.18
756	56-75	14.68	956	56-95	16.68
806	56-80	15.18			
856	56-85	15.68			

			TOLERANCES UNLESS SPECIFIED		DRAWN MJD 03-27-1998
			DEC.	INCHES	
6	ADDED DASH VALUES	PBS 3/6/2007	NB	.X ±.1	CHK ML 04-02-1998
5	REVISED FLAT TO 3 PLACE DECIMAL TOLERANCE	TAT 03-14-2005	ML	.XX ±.03	APPD GK 04-02-1998
4	REDRAWN IN AUTOCAD	TAT 08-03-2004	ML	.XXX ±.005	SCALE 3=8
3	REDRAWN ON CADD	MJD 04-02-1998		.XXXX ±.0005	REF
NO.	REVISION	BY & DATE	CHK	ANG ±7'30"	FMF

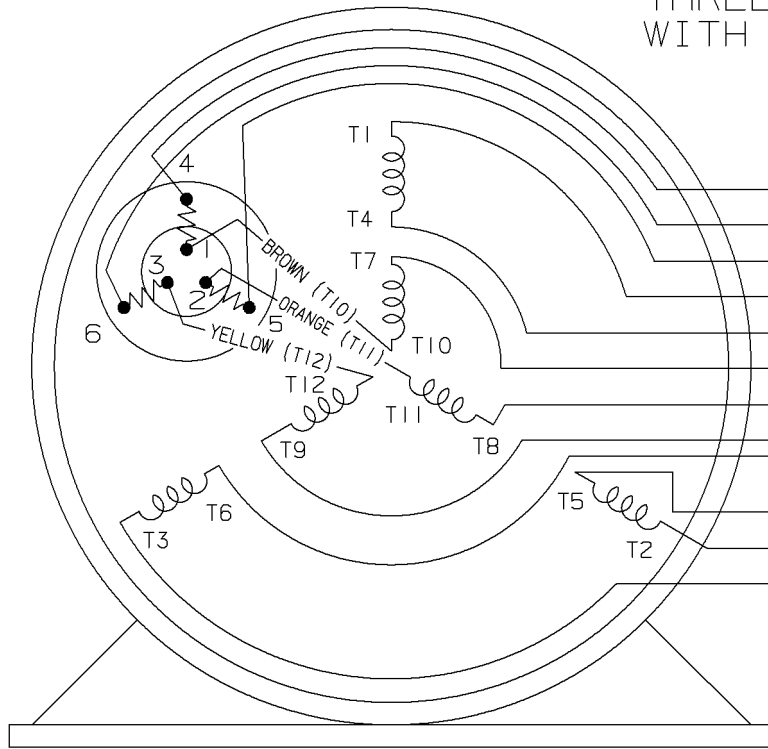


TITLE OUTLINE
56 FR. CONDENSER MOTOR

MAT'L.	PREV
--------	------

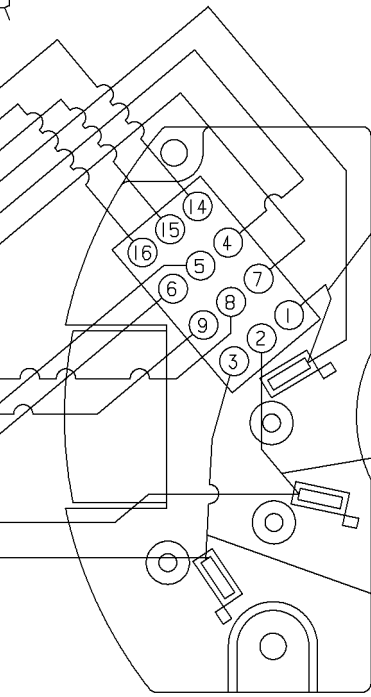
THIS DRAWING IN DESIGN AND DETAIL IS OUR PROPERTY AND MUST NOT BE USED EXCEPT IN CONNECTION WITH OUR WORK ALL RIGHTS OF DESIGN AND INVENTION ARE RESERVED THIS IS AN ELECTRONICALLY GENERATED DOCUMENT - DO NOT SCALE THIS PRINT			RFP	CAD FILE 100166	SIZE A	DRAWING NO. 100166	PAGE OF	REV. 6
			DIST WP					

THREE PHASE-DUAL VOLTAGE WITH THERMAL PROTECTOR



VIEW OF TERMINAL END

- (T14) BROWN
- (T16) YELLOW
- (T15) ORANGE
- (T1) RED
- T4
- T7
- T8
- T9
- T6
- T5
- (T2) BLUE
- (T3) BLACK

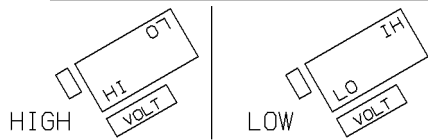


VIEWING BOTTOM OF TERMINAL BOARD

RED
 NUMBERS SHOWN ON TERM BOARD ARE FOR REF. ONLY.
 (NUMBERS DO NOT APPEAR ON PARTS.)

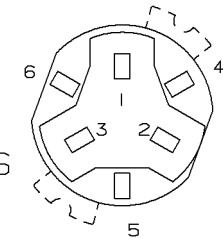
BLUE
 BLACK

TO CHANGE VOLTAGE, PULL PLUG, ROTATE 180° AND REINSERT



CONNECT LINES TO L1, L2 & L3

NOTE:
 ACTUAL PROTECTORS TERMINAL LOCATIONS FOR LEAD CONNECTIONS



4	06-26-1995	1,2,3 WERE SWITCHED WITH 4,5,6 ON THE TERMINAL CN 20644	BR	✓ MAX. SURFACE ROUGHNESS UNLESS NOTED OTHERWISE	UNLESS OTHERWISE SPECIFIED DIMENSIONS ARE IN INCHES TOL. ON XX±.02 XXX±.005 XXXX±.0005 ANGLES± 7°30"			
3	05-18-1994	ADDED ACTUAL PROTECTOR VIEW CN 17481	KL	MATL SPEC				DRAWN BY RM 07-20-1993
2	07-20-1993	REDRAWN ON CADD, ORIGINAL LOST. REV. VCD TO COLORED LEADS CNI3741	RM	FINISH				CHKD BY ET 07-20-1993
REV	DATE	CHANGE	NAME	REFERENCE DRW.	WAUSAU, WISCONSIN 54401			
				PART NAME CONNECTION DIAGRAM 3Ø - DUAL VOLTAGE MOTOR	DRWG NO A- 102007-1			

SHOP BOOK | PURCHASED | DISTRIBUTION - WA - LB - WP - LM - BR | CADD FILE NO. | 102007-1

CERTIFICATION DATA SHEET

Model#: 56T8O15504 D
CONN. DIAGRAM: A-102007-1
OUTLINE: A-100166-956

WINDING#: ZT812 DR 3
ASSEMBLY: F1 ONLY

TYPICAL MOTOR PERFORMANCE DATA

HP	KW	SYNC. RPM	F.L. RPM	FRAME	ENCLOSURE	KVA CODE	DESIGN
1 1/2&1	1.12&.75	900	850&710	56Z	OPAO	G	B

PH	Hz	VOLTS	FL AMPS	START TYPE	DUTY	INSL	S.F	AMB°C	ELEVATION
3	60/50	208- 230/460#190/ 380	7- 7/3.5&5.8/2.9	ACROSS THE LINE	CONTINUOU S	H1	1.0/1.0	70	3300

FULL LOAD EFF: 73.5&72	3/4 LOAD EFF: 73.5	1/2 LOAD EFF: 71	GTD. EFF	ELEC. TYPE	NO LOAD AMPS
			68.2	SQ CAGE IND RUN	4.6 / 2.3

F.L. TORQUE	LOCKED ROTOR AMPS	L.R. TORQUE	B.D. TORQUE	F.L. RISE°C
9.4 LB-FT	20.4 / 10.2	14.6 LB-FT 155	18.8 LB-FT 200	0

SOUND PRESSURE @ 3 FT.	SOUND POWER	ROTOR WK^2	MAX. WK^2	SAFE STALL TIME	STARTS /HOUR	APPROX. MOTOR WGT
60 dBA	70 dBA	0.14 LB-FT^2	74 LB-FT^2	15 SEC.	2	48 LBS.

***** SUPPLEMENTAL INFORMATION *****

DE BRACKET TYPE	ODE BRACKET TYPE	MOUNT TYPE	ORIENTATION	SEVERE DUTY	HAZARDOUS LOCATION	DRIP COVER	SCREENS	PAINT
STANDARD	STANDARD	RIGID	HORIZONTAL	FALSE	NONE	FALSE	NONE	GRAY (POWDER)

BEARINGS		GREASE	SHAFT TYPE	SPECIAL DE	SPECIAL ODE	SHAFT MATERIAL	FRAME MATERIAL
DE	OPE						
BALL	BALL	DC 44M	SGL SPL EXT	0.625 x 2.25 IN SEK WITH 25 MM BEARING	NONE	1144 STRESSPROOF (C-223)	ROLLED STEEL
6203	6203						

THERMO-PROTECTORS				THERMISTORS	CONTROL	SPACE /n HEATERS
THERMOSTATS	PROTECTORS	WDG RTDs	BRG RTDs			
NONE	AUTOMATIC	NONE	NONE	NONE	FALSE	NONE VOLTS

If Inverter equals NONE, contact factory for further information

INVERTER TORQUE: NONE
INV. HP SPEED RANGE: NONE
ENCODER: NONE
NONE NONE
NONE NONE PPR
BRAKE: NONE NONE
NONE P/N NONE
NONE NONE
NONE FT-LB NONE V NONE Hz

*
N
O
T
E
S
*

DATE: 06/28/2017 05:20:33 AM
 FORM 3531 REV.3 02/07/99

** Subject to change without notice.

Data Sheet

Date: 1/3/2019
 Customer: _____
 Attention: _____
 Submitted by: FAREEDA DUDEKULA



56T8015504

Submittal

Data @ 460 V

Motor Load Data

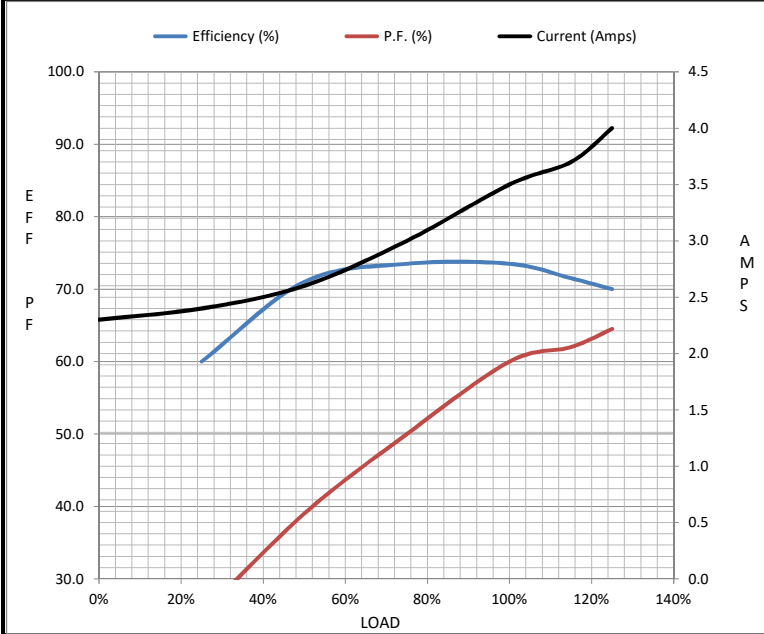
Load	0%	25%	50%	75%	100%	115%	125%	LR
Current (Amps)	2.30	2.40	2.60	3.0	3.5	3.7	4.0	10.2
Torque (ft-lb)	0.00	2.20	4.5	7.0	9.4	11.0	12.1	14.6
RPM	900	885	875	860	850	835	820	0
Efficiency (%)		60.0	71.0	73.5	73.5	71.5	70.0	
P.F. (%)	9.5	25.0	39.0	50.0	60.0	62.0	64.5	56.5

Motor Speed Data

	LR	Pull-Up	BD	Rated	Idle
Speed (RPM)	0	400	620	850	900
Current (Amps)	10.2	9.0	7.4	3.5	2.30
Torque (ft-lb)	14.6	17.0	18.8	9.4	0.00

Information Block

HP	1.5			
Sync. RPM	900			
Frame	56			
Enclosure	OPAO			
Construction	TS			
Voltage	208-230/460#190/380 V			
Frequency	60 Hz			
Design	B			
LR Code letter	G			
Service Factor	1			
Temp Rise @ FL	0 °C			
Duty	CONT			
Ambient	40 °C			
Elevation	3300 feet			
Rotor/Shaft wk ²	0.14 Lb-Ft ²			
Ref Wdg	ZT812 DR			
Sound Pressure @ 1M	60 dBA			
VFD Rating	NONE			
Outline Dwg	A-100166-956			
Conn. Diag	A-102007-1			
Additional Specifications:				
0				
0				
EQUIV CKT (OHMS / PHASE)				
R1	R2	X1	X2	Xm
0.0000	0.0000	0.0000	0.0000	0.0000



Speed - Torque Curve

