

PRODUCT INFORMATION PACKET

Model No: 056T17W5334
Catalog No: N628
1/3,1800,TEFC,56C,3/60/208-230/460
Washdown Duty



Regal and Marathon are trademarks of Regal Beloit Corporation or one of its affiliated companies.
©2018 Regal Beloit Corporation, All Rights Reserved. MC017097E



Nameplate Specifications

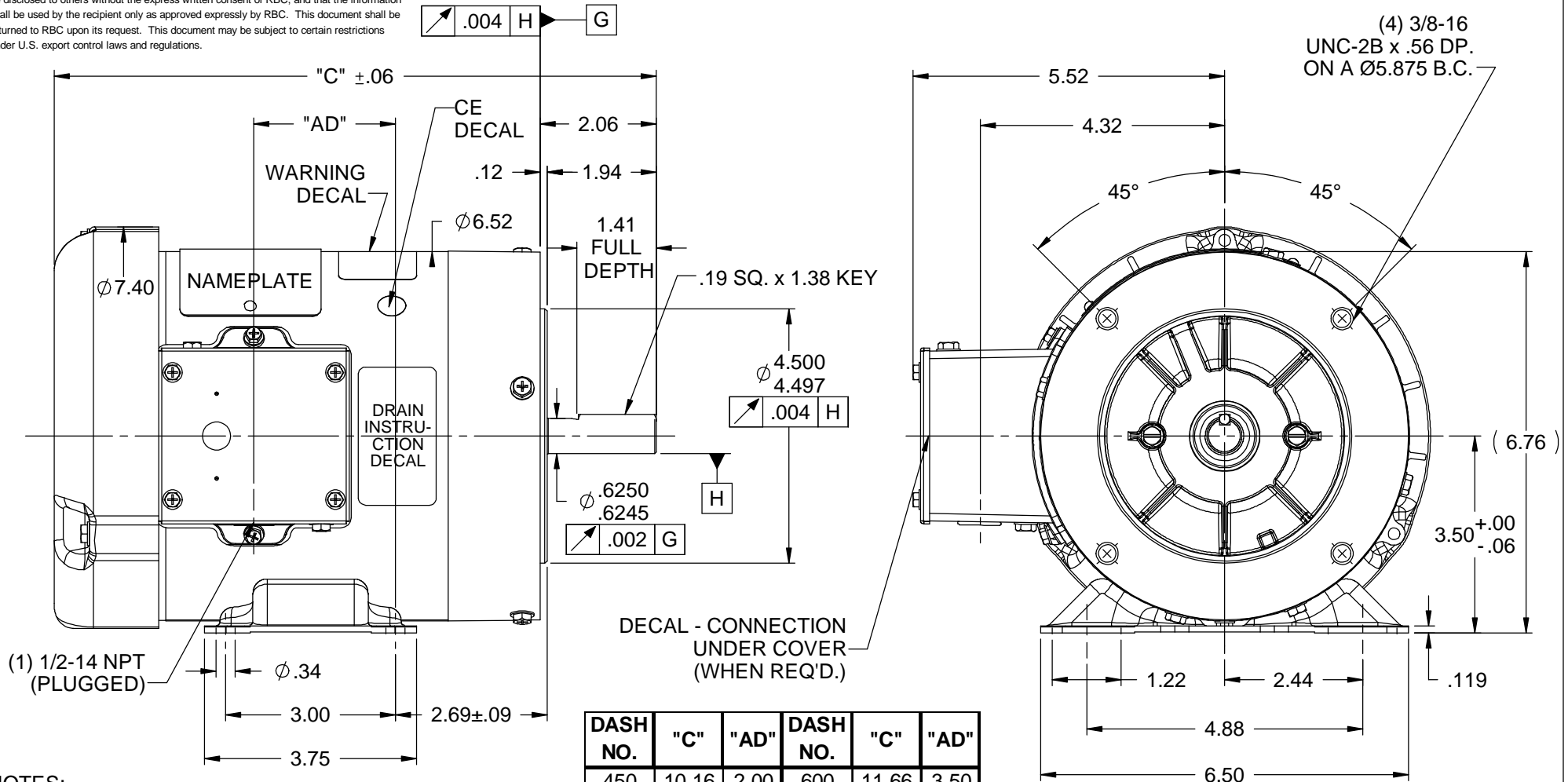
Output HP	0.33 Hp	Output KW	0.25 kW
Frequency	60 Hz	Voltage	208-230/460 V
Current	1.5-1.7/0.85 A	Speed	1725 rpm
Service Factor	1.15	Phase	3
Efficiency	68 %	Duty	Continuous
Insulation Class	F	Design Code	B
KVA Code	L	Frame	56C
Enclosure	Totally Enclosed Fan Cooled	Overload Protector	No
Ambient Temperature	40 °C	Drive End Bearing Size	6205
Opp Drive End Bearing Size	6203	UL	Recognized
CSA	Y	CE	Y
IP Code	55		

Technical Specifications

Electrical Type	Squirrel Cage Inverter Rated	Starting Method	Line Or Inverter
Poles	4	Rotation	Reversible
Mounting	Rigid Base	Motor Orientation	Horizontal
Drive End Bearing	Ball	Opp Drive End Bearing	Ball
Frame Material	Rolled Steel	Shaft Type	NEMA 56
Overall Length	10.16 in	Frame Length	4.50 in
Shaft Diameter	0.625 in	Shaft Extension	2.06 in
Assembly/Box Mounting	F1 Only		
Outline Drawing	028785ME-450	Connection Diagram	005010.01ME

This is an uncontrolled document once printed or downloaded and is subject to change without notice. Date Created: 10/08/2018

This document is the property of REGAL BELOIT CORPORATION ("RBC") including its subsidiaries and divisions and contains proprietary information of RBC. This document is loaned on the express condition that neither it nor the information contained therein shall be disclosed to others without the express written consent of RBC, and that the information shall be used by the recipient only as approved expressly by RBC. This document shall be returned to RBC upon its request. This document may be subject to certain restrictions under U.S. export control laws and regulations.

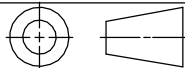


- NOTES:
- 1) SHAFT SEALS & V-RING.
 - 2) DRAIN HOLES IN ENDBELLS & CONDUIT BOX.
 - 3) GASKETS THROUGHOUT.
 - 4) STAINLESS STEEL SHAFT, HARDWARE, & NAMEPLATE

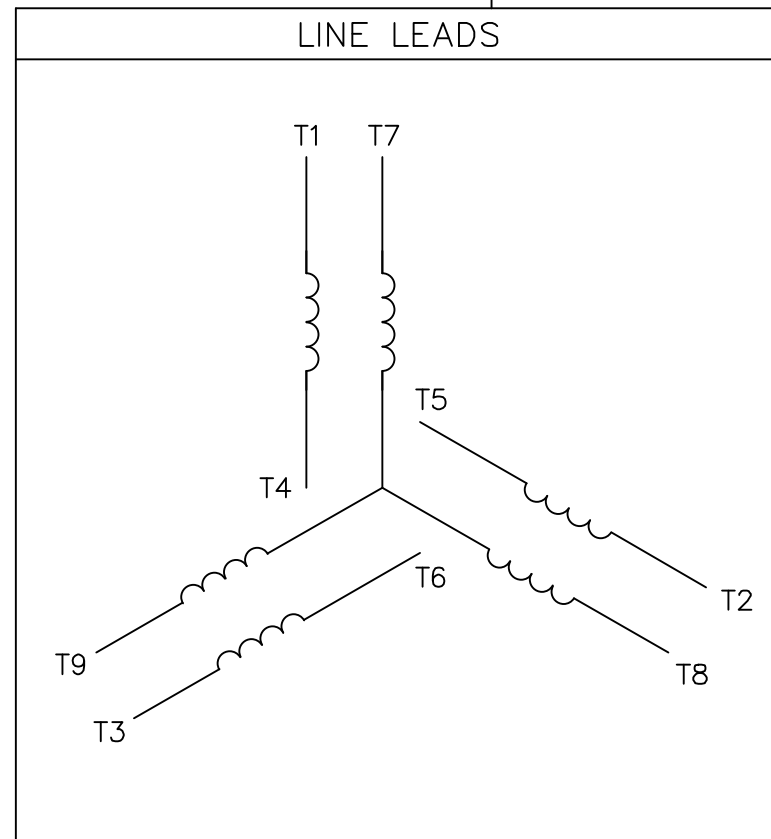
DASH NO.	"C"	"AD"	DASH NO.	"C"	"AD"
450	10.16	2.00	600	11.66	3.50
475	10.41	2.25	650	12.16	4.00
500	10.66	2.50	675	12.41	4.25
550	11.16	3.00	700	12.66	4.50

		TOLERANCES UNLESS SPECIFIED		marathon [®] electric		DRAWN RVD 02/26/2009	
		DEC	INCHES			CHK VS 02/26/2009	
		.X	±.1			APPR RVD 02/26/2009	
		.XX	±.03	TITLE OUTLINE - 56C FRAME		SCALE 3:8	
		.XXX	±.005	TEFC - RIGID "C" FACE		REF 028785	
		.XXXX	±.0005	MAT'L		FMF 56T34W15503	
NO	REVISION	BY & DATE	CHK	ANG	FINISH GENERAL PURPOSE	PAGE	OF
			RFP	±1/2°	PREV	SIZE	DRAWING NO
						A	028785ME
					NETWORK FILE NAME		REV
					028785ME		


THIRD ANGLE PROJECTION



VIEW FROM OUTSIDE OF MOTOR AT SWITCH END.



VOLTAGE	L1	L2	L3	JOIN & INSULATE
HIGH	T1	T2	T3	(T4,T7) (T5,T8) (T6,T9)
LOW	T1,T7	T2,T8	T3,T9	T4,T5,T6

		TOLERANCES UNLESS SPECIFIED				DRAWN RDW 04/12/02	
		DEC.	INCHES			CHK	APPD
		.X	±.1	TITLE EXTERNAL WIRING DIAGRAM 3 PHASE W/O PROTECTOR MAT'L. DECAL - 004014		SCALE	1=1
		.XX	±.01			REF	FIG.2-51
		.XXX	±.005			FINISH	PREV
		.XXXX	±.0005				
NO.	REVISION	BY & DATE	CHK	ANG	±1/2'	DRAWING NO.	
			RFP	04/12/02	CAD FILE	00501001ME	005010-01ME
				DIST		SIZE	A
THIS DRAWING IN DESIGN AND DETAIL IS OUR PROPERTY AND MUST NOT BE USED EXCEPT IN CONNECTION WITH OUR WORK ALL RIGHTS OF DESIGN AND INVENTION ARE RESERVED THIS IS AN ELECTRONICALLY GENERATED DOCUMENT - DO NOT SCALE THIS PRINT							

