

PRODUCT INFORMATION PACKET

Model No: 056T17V5337
Catalog No: N622
1/2, 1725, TENV, 56C, 3/60/575
Washdown Duty



Regal and Marathon are trademarks of Regal Beloit Corporation or one of its affiliated companies.

©2018 Regal Beloit Corporation, All Rights Reserved. MC017097E



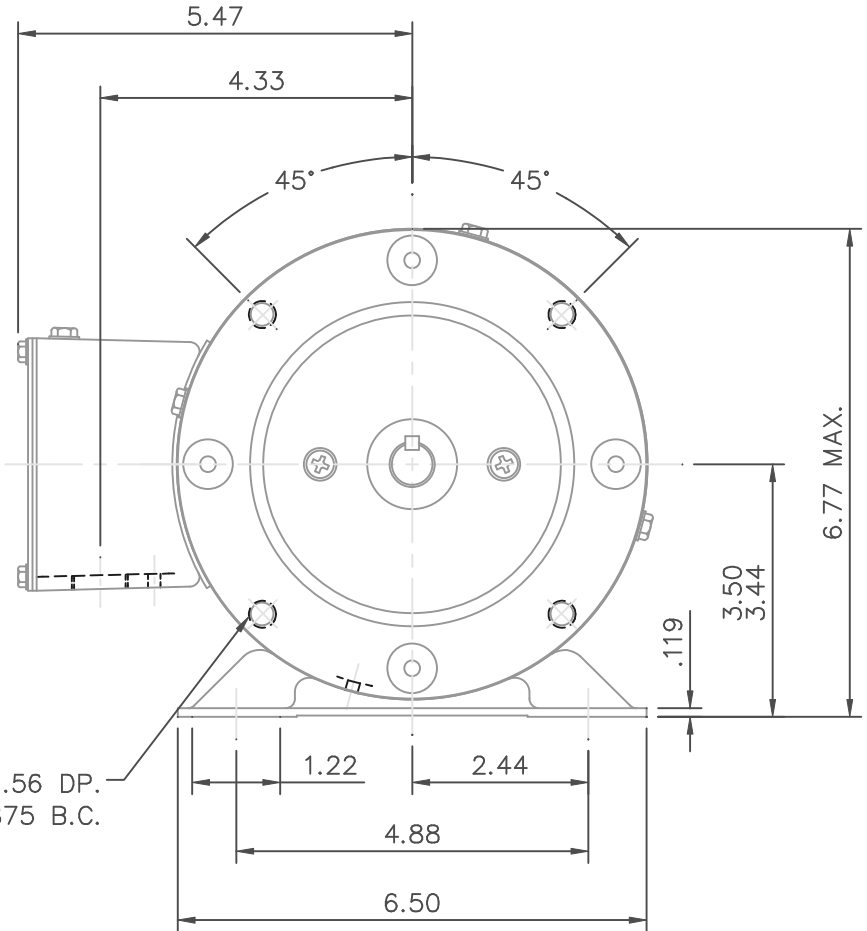
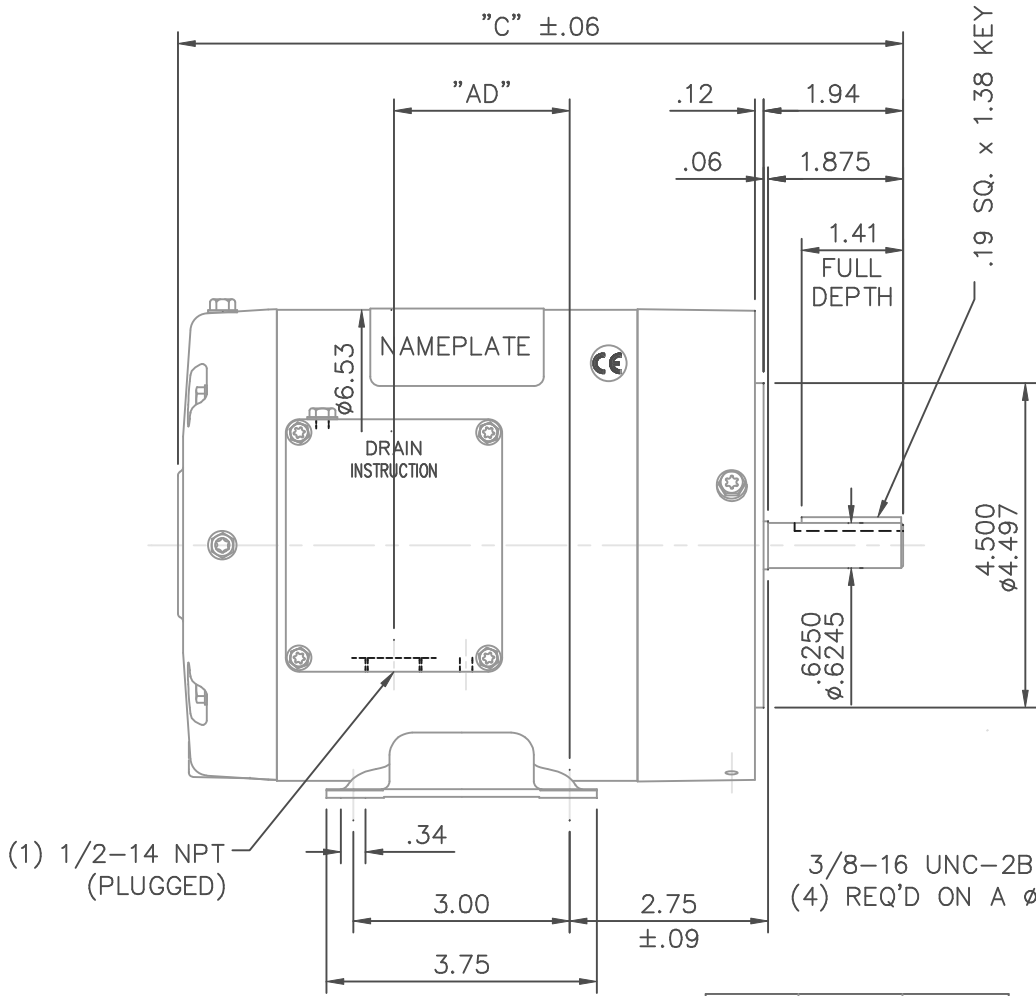


Nameplate Specifications

Output HP	0.50 Hp	Output KW	0.37 kW
Frequency	60 Hz	Voltage	575 V
Current	0.72 A	Speed	1725 rpm
Service Factor	1.15	Phase	3
Efficiency	78.5 %	Duty	Continuous
Insulation Class	F	Design Code	B
KVA Code	L	Frame	56C
Enclosure	Totally Enclosed Non Ventilated	Overload Protector	No
Ambient Temperature	40 °C	Drive End Bearing Size	6205
Opp Drive End Bearing Size	6203	UL	Recognized
CSA	Y	CE	Y
IP Code	55		

Technical Specifications

Electrical Type	Squirrel Cage Inverter Rated	Starting Method	Line Or Inverter
Poles	4	Rotation	Reversible
Mounting	Rigid base	Motor Orientation	Horizontal
Drive End Bearing	Ball	Opp Drive End Bearing	Ball
Frame Material	Rolled Steel	Shaft Type	T
Overall Length	10.08 in	Frame Length	5.00 in
Shaft Diameter	0.625 in	Shaft Extension	1.94 in
Assembly/Box Mounting	F1 Only		
Outline Drawing	034904ME-500	Connection Diagram	005102.01ME



MAXIMUM FACE RUNOUT .004 T.I.R.
 MAXIMUM PILOT ECCENTRICITY .004 T.I.R.
 PERMISSIBLE SHAFT RUNOUT .002 T.I.R.

DASH NO.	"C"	"AD"
500	10.08	2.44
550	10.58	2.94
600	11.08	3.44
650	11.58	3.94

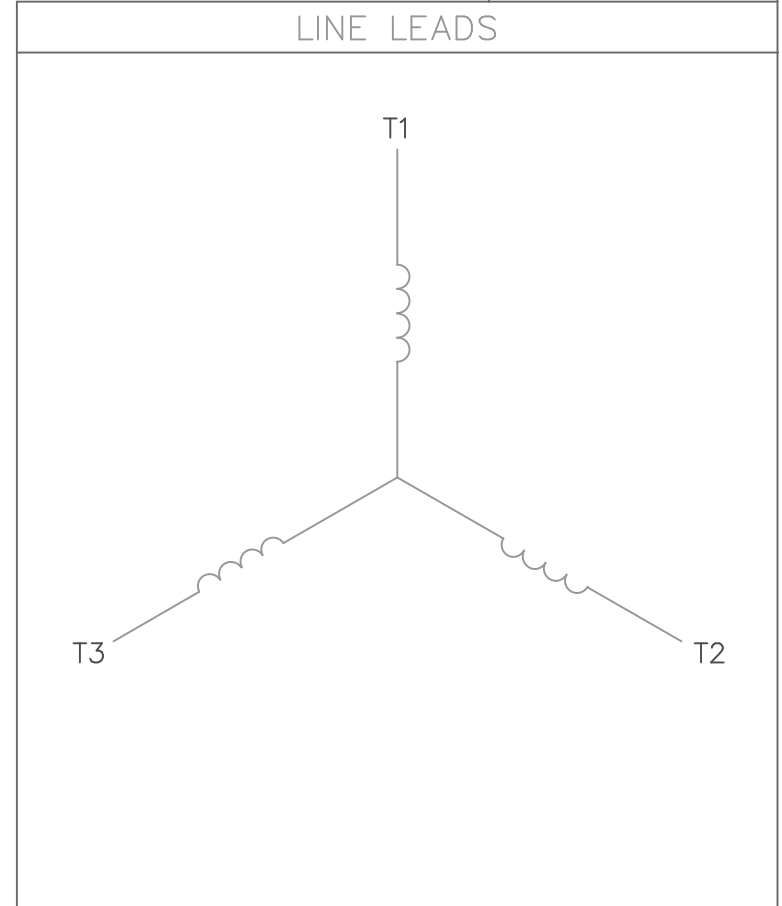
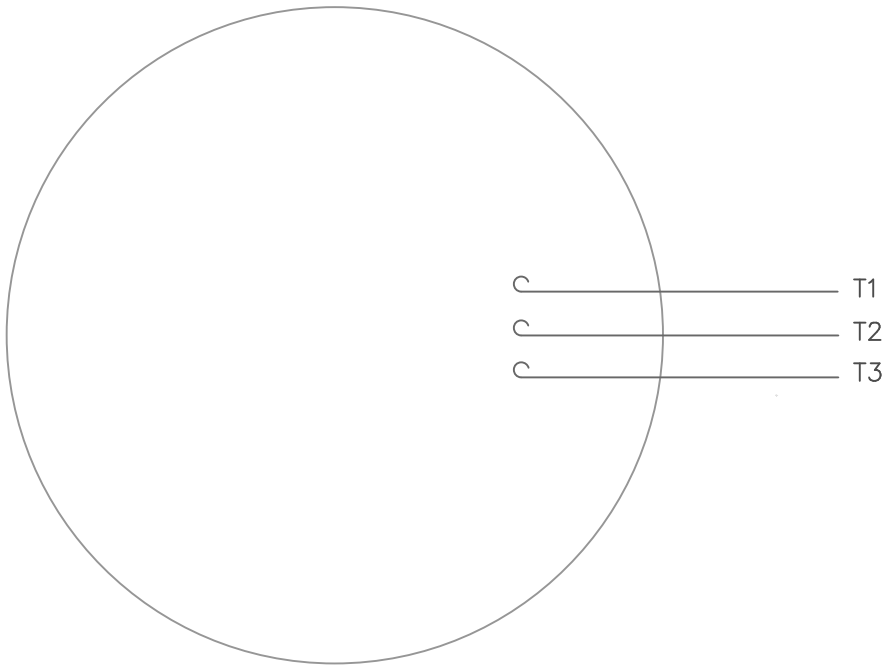
3/8-16 UNC-2B x .56 DP.
 (4) REQ'D ON A Ø5.875 B.C.

SPECIAL FEATURES:

- 1) SHAFT SEAL & V-RING
- 2) DRAIN HOLES IN ENDBELLS & CONDUIT BOX
- 3) STAINLESS STEEL SHAFT, HARDWARE, & NAMEPLATE
- 4) GASKETS THROUGHOUT


			TOLERANCES UNLESS SPECIFIED		MARATHON ELECTRIC	DRAWN KMM 10/29/01			
			DEC.	INCHES		CHK			
04	ADDED DRAIN INSTRUCTION DECAL; ECR 89940	KLS 7/21/06	.X	±.1	TITLE OUTLINE - 56C FRAME TENV - RIGID "C" MAT'L. FINISH STOCK	APPD	RDW 10/29/01		
03	ADDED CE DECAL TO MOTOR	KLS 12/12/05	RW	.XX ±.03		SCALE	3=8		
02	L.E. ENDBELL WAS 021209.27	KMM 8/15/02		.XXX ±.005		REF	033694		
01	REVISED BASE LENGTH TO MATCH BASE DWG, WAS 4.00	BPW 01/15/02	RW	.XXXX ±.0005		FMF	119000		
NO.	REVISION	BY & DATE	CHK	ANG ±1/2"		PREV			
THIS DRAWING IN DESIGN AND DETAIL IS OUR PROPERTY AND MUST NOT BE USED EXCEPT IN CONNECTION WITH OUR WORK ALL RIGHTS OF DESIGN AND INVENTION ARE RESERVED THIS IS AN ELECTRONICALLY GENERATED DOCUMENT - DO NOT SCALE THIS PRINT			RFP	10/29/01	CAD FILE	034904ME	SIZE	DRAWING NO.	REV.
			DIST				A	034904-ME	04

VIEW FROM OUTSIDE OF MOTOR AT SWITCH END.



CONNECT LEADS AS FOLLOWS
FOR FOUR CONDUCTOR CORD ()

CORD	L1 (RED)	L2 (WHITE)	L3 (BLACK)	(GREEN)
MOTOR	T1	T2	T3	GROUND

				TOLERANCES UNLESS SPECIFIED				DRAWN RDW 5/1/02		
				DEC.	INCHES			CHK		
				.X	±.1			APPD		
				.XX	±.01			SCALE 1=1		
				.XXX	±.005			REF		
				.XXXX	±.0005	MAT'L. DECAL - 004169		FMF		
NO.	REVISION	BY & DATE	CHK	ANG	±1/2'	FINISH		PREV		
THIS DRAWING IN DESIGN AND DETAIL IS OUR PROPERTY AND MUST NOT BE USED EXCEPT IN CONNECTION WITH OUR WORK ALL RIGHTS OF DESIGN AND INVENTION ARE RESERVED THIS IS AN ELECTRONICALLY GENERATED DOCUMENT - DO NOT SCALE THIS PRINT				RFP	5/1/02	CAD FILE 00510201ME		SIZE	DRAWING NO.	REV.
				DIST				A	005102-01ME	

CERTIFICATION DATA SHEET

Model#: 56T17V5337 B **WINDING#:** T634208 NR 4
CONN. DIAGRAM: 005102.01ME **ASSEMBLY:** F1 ONLY
OUTLINE: 034904ME-500

TYPICAL MOTOR PERFORMANCE DATA

HP	KW	SYNC. RPM	F.L. RPM	FRAME	ENCLOSURE	KVA CODE	DESIGN
1/2	.37	1800	1725	56C	TENV	L	B

PH	Hz	VOLTS	FL AMPS	START TYPE	DUTY	INSL	S.F	AMB°C	ELEVATION
3	60	575	.72	LINE OR INVERTER	CONTINUOUS	F4	1.15	40	3300

FULL LOAD EFF: 78.5	3/4 LOAD EFF: 76.4	1/2 LOAD EFF: 71	GTD. EFF	ELEC. TYPE	NO LOAD AMPS
FULL LOAD PF: 67	3/4 LOAD PF: 56	1/2 LOAD PF: 44	-	SQ CAGE INV RATED	.5

F.L. TORQUE	LOCKED ROTOR AMPS	L.R. TORQUE	B.D. TORQUE	F.L. RISE°C
0 LB-FT	4.9	72.1 LB-FT 300	97.8 LB-FT 408	-

SOUND PRESSURE @ 3 FT.	SOUND POWER	ROTOR WK^2	MAX. WK^2	SAFE STALL TIME	STARTS /HOUR	APPROX. MOTOR WGT
- dBA	- dBA	0.06 LB-FT^2	0.1 LB-FT^2	- SEC.	-	0 LBS.

***** SUPPLEMENTAL INFORMATION *****

DE BRACKET TYPE	ODE BRACKET TYPE	MOUNT TYPE	ORIENTATION	SEVERE DUTY	HAZARDOUS LOCATION	DRIP COVER	SCREENS	PAINT
C-FACE	STANDARD	RIGID	HORIZONTAL	FALSE	NONE	FALSE	NONE	WHITE - LEESON (EPOXY)

BEARINGS		GREASE	SHAFT TYPE	SPECIAL DE	SPECIAL ODE	SHAFT MATERIAL	FRAME MATERIAL
DE	OPE	POLYREX EM	T	NONE	NONE	303 STAINLESS (C-501)	ROLLED STEEL
BALL	BALL						
6205	6203						

THERMO-PROTECTORS				THERMISTORS	CONTROL	SPACE /n HEATERS
THERMOSTATS	PROTECTORS	WDG RTDs	BRG RTDs	NONE	FALSE	NONE VOLTS
NONE	NOT	NONE	NONE			

If Inverter equals NONE, contact factory for further information

INVERTER TORQUE: CONSTANT 1000:1
INV. HP SPEED RANGE: 1.5 X BASE SPEED
ENCODER: NONE
NONE NONE
NONE NONE PPR
BRAKE: NONE NONE
NONE P/N NONE
NONE NONE
NONE FT-LB NONE V NONE Hz

*
N
O
T
E
S
*

DATE: 06/29/2017 01:41:23 AM
 FORM 3531 REV.3 02/07/99
 ** Subject to change without notice.