

PRODUCT INFORMATION PACKET

Model No: 5KH39EN2887X

Catalog No: H685

Jet Pump Motor, 0.33 HP, 1 Ph, 60 Hz, 115 V, 3600 RPM, 56J Frame, DP



Regal and Marathon are trademarks of Regal Rexnord Corporation or one of its affiliated companies.
©2022 Regal Rexnord Corporation, All Rights Reserved. MC017097E



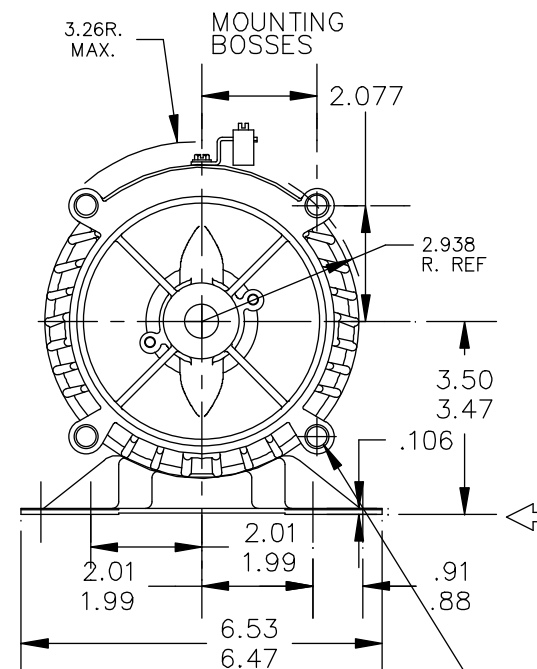
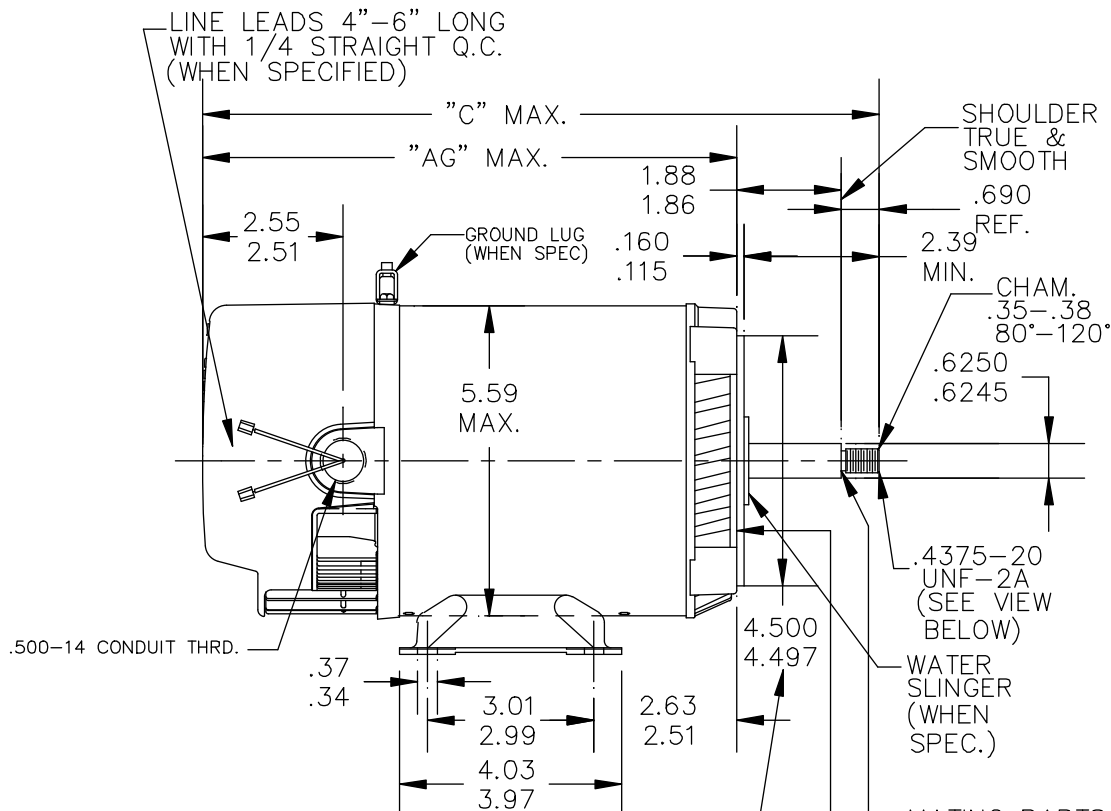
Nameplate Specifications

Output HP	0.33 Hp	Output KW	0.25 kW
Frequency	60 Hz	Voltage	115 V
Current	6.2 A	Speed	3450 rpm
Service Factor	1.75	Phase	1
Efficiency	54.5 %	Power Factor	0
Duty	Continuous	Insulation Class	B
KVA Code	S	Frame	56J
Enclosure	Drip Proof	Thermal Protection	Automatic
Ambient Temperature	50 °C	Drive End Bearing Size	6203
Opp Drive End Bearing Size	6203	UL	Recognized
CSA	Yes	CE	N
Number of Speeds	1		

Technical Specifications

Electrical Type	Split Phase	Starting Method	SM
Poles	2	Rotation	Clockwise
Mounting	Rigid Base	Motor Orientation	ANY
Drive End Bearing	LOCKED	Opp Drive End Bearing	Ball
Frame Material	Rolled Steel	Overall Length	11.54 in
Frame Length	4.43 in	Shaft Diameter	0.630 in
Shaft Extension	2.39 in		
Connection Drawing	52A106891	Outline Drawing	52A109357P1

This is an uncontrolled document once printed or downloaded and is subject to change without notice. Date Created:11/28/2022

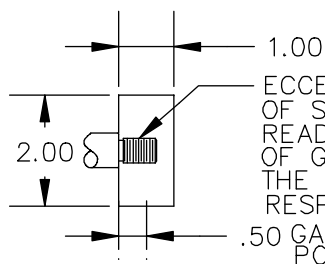


ECCENTRICITY OF THIS SURFACE (WITH INDICATOR MOUNTED STATIONARY RELATIV TO SHAFT) MUST NOT EXCEED .004 T.I.R.

FACE RUNOUT (WITH INDICATOR MOUNTED STATIONARY RELATIVE TO SHAFT) MUST NOT EXCEED .004 T.I.R.

MATING PARTS SHOULD BE RELIEVED ONE THREAD TO CLEAR FILLET

.375-16 UNC-2B (4 HOLES) .82 MIN. FULL THD. THESE HOLES FIT A GAGE HAVING A RABBET 4.5005 DIA. & 4 PINS .2917 DIA. LOCATED ON THE BASIC HOLE POSITIONS.



ECCENTRICITY OF THREADED PORTION OF SHAFT IS HELD WITHIN .004 GAGE READING WITH THE INDICATOR ON O.D. OF GROUND RING GAGE AS SHOWN, THE GAGE BEING STATIONARY WITH RESPECT TO THE ROTOR.

3	KC	39	56J	13.98	11.35		6.87
2	KC	33	56J	12.52	9.89		5.41
1	KC,KH	39	56J	11.54	8.91		4.43
P	TYPE	RBC SIZE	NEMA FR	C	AG		SHELL REF.

				TOLERANCES UNLESS SPECIFIED		DRAWN M M 11/08/93	
				DEC.	INCHES	CHK	
				.X	±0.1	APPD M.A.M. 11/08/93	
3	JET/POOL IS REPLACED BY JET PUMP PER ECO-0033464	PVR	05/16/13	DS	.XX	±0.02	SCALE 1=1
2	REDRAWN IN DRAFTSIGHT NO CHANGES	GR	10/16/12	PKG	.XXX	±0.005	REF
1	CHG TO RBC FORMAT PER ISO5-1777	SD	03/13/06		.XXXX	±0.0005	FMF
NO.	REVISION	BY & DATE	CHK	ANG	±1.0	FINISH	PREV
THIS DRAWING IN DESIGN AND DETAIL IS OUR PROPERTY AND MUST NOT BE USED EXCEPT IN CONNECTION WITH OUR WORK ALL RIGHTS OF DESIGN AND INVENTION ARE RESERVED THIS IS AN ELECTRONICALLY GENERATED DOCUMENT - DO NOT SCALE THIS PRINT				RFP	CAD FILE	52A109357	SIZE A
				DIST			DRAWING NO. 52A109357
						REV. 3	

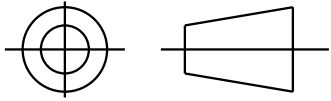


REGAL-BELOIT CORPORATION

TITLE OUTLINE
56J - JET PUMP - WELD BASE

SHEET 1
REV 1
52A106891
SIZE DRAWING NO. A

THIRD ANGLE PROJECTION

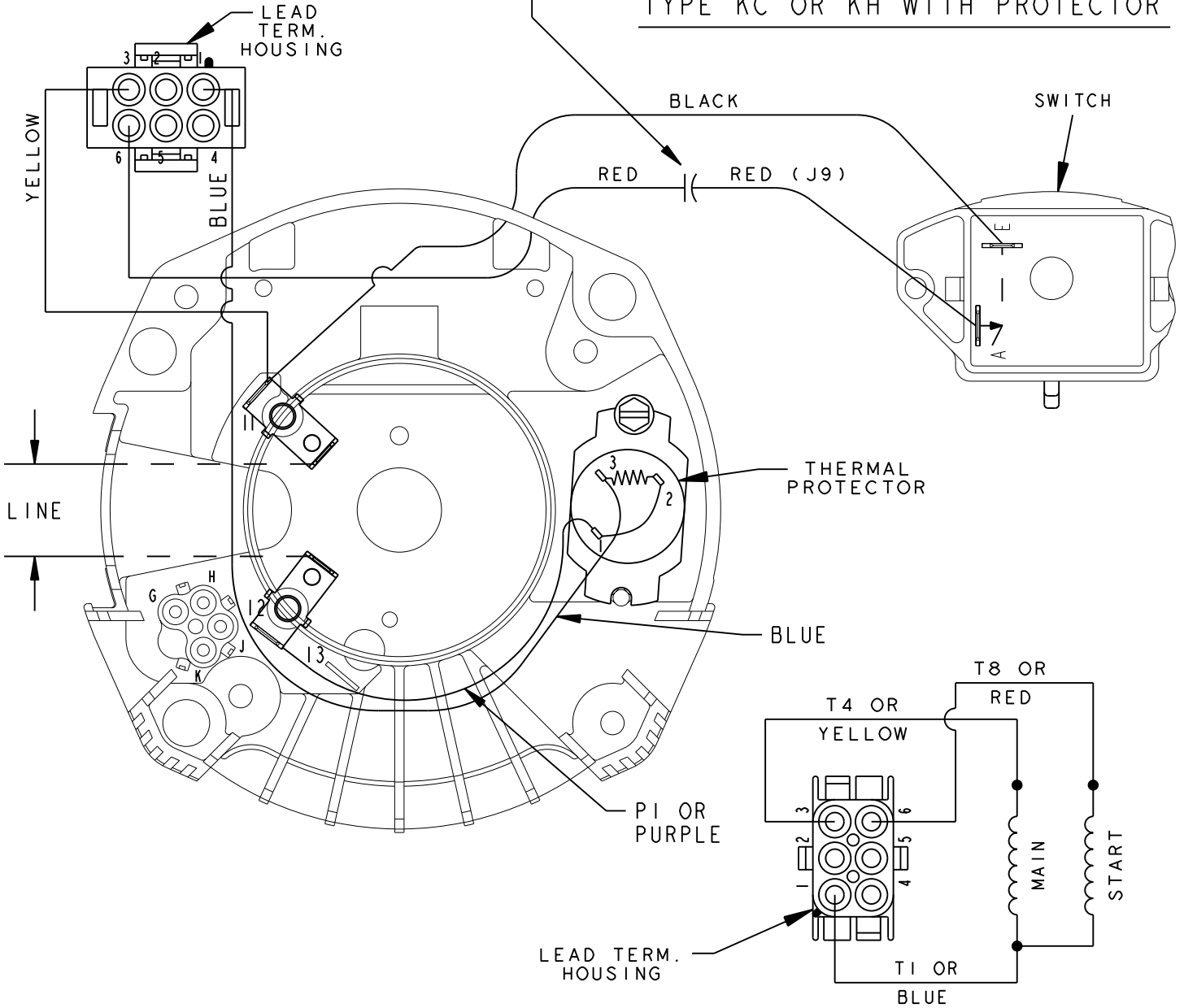


REVISIONS

REV.	DESCRIPTION	DATE	APPROVED
I	UPDATED TO RBC FORMAT	01/11/06	MAM

START CAPACITOR FOR KC MOTORS
ONLY CONNECT RED LEAD DIRECTLY
TO SWITCH FOR KC MOTORS

SET ROTATION - SINGLE VOLTAGE
TYPE KC OR KH WITH PROTECTOR



CONNECTION LABEL - 52X333028

	SIGNATURES	DATE
MODEL	B.L.J.	07/22/92
DETAIL	.	.
CHECKED	.	.
ENGRG	.	.
MFG	.	.
FOR ADDITIONAL INFO REFER TO:	QUALITY	.
APPLIED PRACTICES	ISSUED	B.L.J. 07/22/92
DIMENSIONS ARE IN INCHES ✓		
MATERIAL	SOLID MODEL: 52A106891	



REGAL-BELOIT CORPORATION

TITLE	CONNECTION DIAGRAM		
	FMF: 2 COMPARTMENT SINGLE VOLT, SET ROTATION		
SIZE	DRAWING		REV
A		52A106891	1
SCALE: 1.000	REF. No: .	SHEET 1 of 1	