

PRODUCT INFORMATION PACKET

marathon[®]
Motors

Model No: 365TSTDS16042
Catalog No: E768C
60,1800,DP,365TS,3/60/230/460
Open Drip Proof (ODP)



Regal and Marathon are trademarks of Regal Beloit Corporation or one of its affiliated companies.
©2018 Regal Beloit Corporation, All Rights Reserved. MC017097E

REGAL[®]



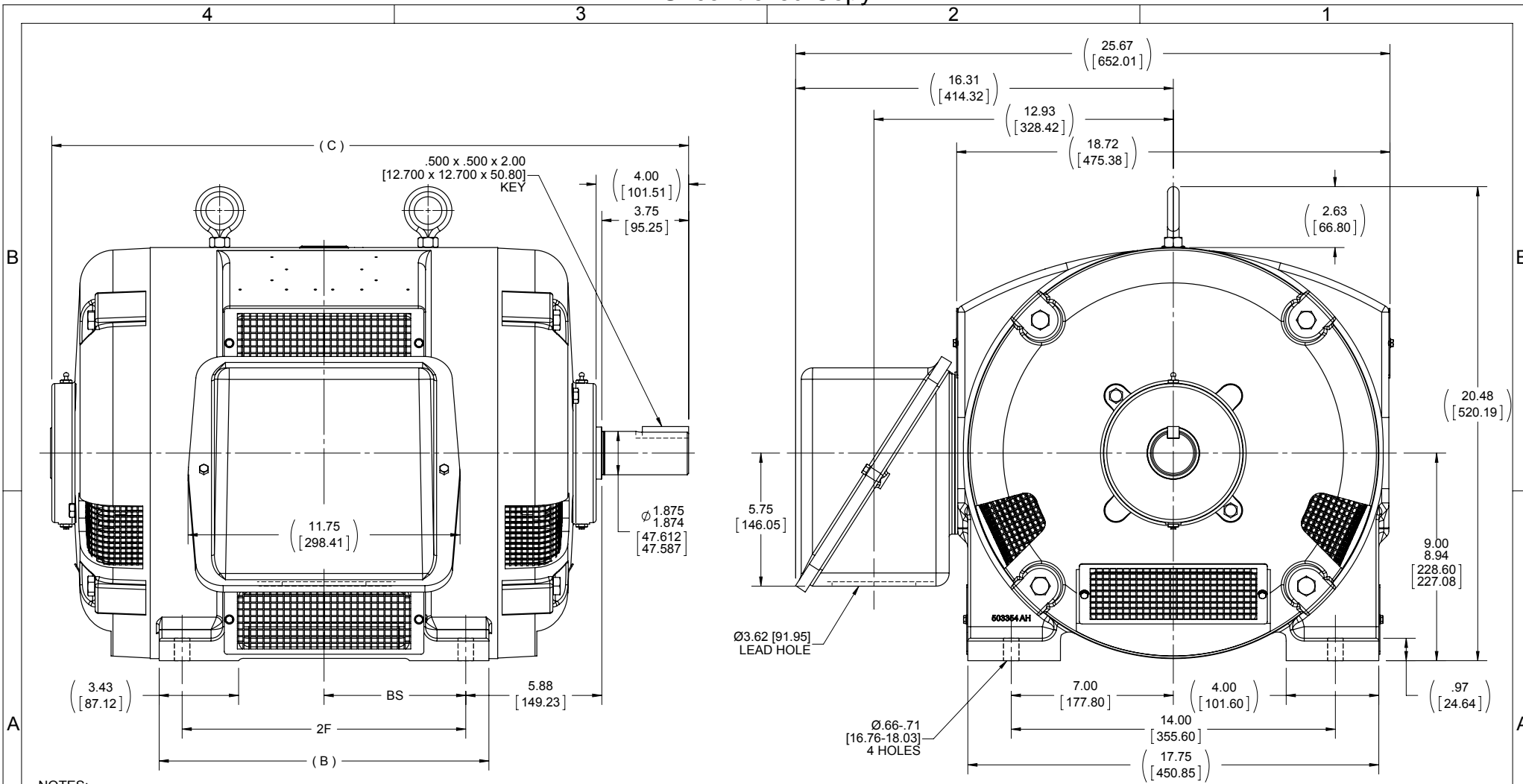
Nameplate Specifications

Output HP	60 Hp	Output KW	45.0 kW
Frequency	60 Hz	Voltage	230/460 V
Current	139.0/69.5 A	Speed	1782 rpm
Service Factor	1.15	Phase	3
Efficiency	95 %	Duty	Continuous
Insulation Class	F	Design Code	B
KVA Code	G	Frame	365TS
Enclosure	Drip Proof	Overload Protector	No
Ambient Temperature	40 °C	Drive End Bearing Size	6312
Opp Drive End Bearing Size	6312	UL	Recognized
CSA	Y	CE	Y
IP Code	12		

Technical Specifications

Electrical Type	Squirrel Cage Induction Run	Starting Method	Across The Line
Poles	4	Rotation	Reversible
Mounting	Rigid base	Motor Orientation	Horizontal
Drive End Bearing	Ball	Opp Drive End Bearing	Ball
Frame Material	Cast Iron	Shaft Type	TS
Overall Length	27.5 in	Frame Length	15.00 in
Shaft Diameter	1.875 in	Shaft Extension	4 in
Assembly/Box Mounting	F1/F2 Capable		
Outline Drawing	B-SS509966-1500	Connection Diagram	A-EE7308K

This is an uncontrolled document once printed or downloaded and is subject to change without notice. Date Created: 06/29/2018



- NOTES:
 1. CONDUIT BOX CAN BE ROTATED IN 90° STEPS.
 2. CONDUIT BOX CAN BE MOUNTED ON OPPOSITE SIDE BY REMOVING BRACKETS AND TURNING FRAME 180°.
 3. NAMEPLATES TO BE READ FROM CONDUIT BOX SIDE OF MOTOR.
 4. DIMENSION IN [] DESIGNATE MILLIMETERS.

DASH	FRAME	B	C	2F	BS
1400	364TS	13.25 [336.55]	26.50 [673.10]	11.25 [285.75]	5.62 [142.75]
1500	365TS	14.25 [361.95]	27.50 [698.50]	12.25 [311.15]	6.12 [155.45]

DRAWING REVISION A	REVISION BY JJB	DATE 06-19-2014
ECO ECO-0053523	APPROVED BY TDB	DATE 06-19-2014
ECO DESCRIPTION UPDATED TO CURRENT STANDARDS		
<small>COPYRIGHT REGAL BELOIT AMERICA, INC. ALL RIGHTS RESERVED. PROPRIETARY AND CONFIDENTIAL INFORMATION - THIS DOCUMENT IS THE PROPERTY OF REGAL BELOIT AMERICA, INC. (OWNER) AND CONTAINS OWNER'S PROPRIETARY INFORMATION. ANY PERSON, CORPORATION OR OTHER FIRM RECEIVING IT IS DEEMED, BY RECEIVING IT, TO AGREE THAT IT, AND/OR ANY PART OF IT, SHALL NOT BE DISCLOSED TO ANY PERSON, CORPORATION OR OTHER ENTITY, DUPLICATED, AND/OR USED, EXCEPT AS EXPRESSLY APPROVED IN WRITING IN ADVANCE BY OWNER. THIS DOCUMENT SHALL BE RETURNED TO OWNER UPON REQUEST. IT MAY BE SUBJECT TO CERTAIN RESTRICTIONS UNDER APPLICABLE EXPORT CONTROL LAWS AND REGULATIONS.</small>		

TOLERANCES UNLESS OTHERWISE SPECIFIED:	
DEC.	INCH mm ANGLE
.X	±0.1 [±2.5] ±0.5°
.XX	±0.01 [±0.25]
.XXX	±0.005 [±0.127]
.XXXX	±0.0005 [±0.0127]
REMOVE BURRS & BREAK SHARP EDGES: .003/.015 [0.076/ 381] CORNER FILLETS: .02 [51] MACHINED SURFACES: 125/ INCH V mm 3.2	
mm SHOWN IN [BRACKETS]	

DRAWN BY TLB
DATE 02-04-1988
APPROVED BY GK
DATE 02-04-1988
REFERENCE
THIRD ANGLE PROJECTION

Regal Beloit America, Inc.	
DESCRIPTION OUTLINE 360TS & US FR - DR PR - SCREENED	
MATERIAL	PROCESS/FINISH
SIZE B	DRAWING NUMBER SS509966
SHEET 1 OF 1	


LOW VOLTAGE



HIGH VOLTAGE



VIEW OF TERMINAL END

				TOLERANCES UNLESS SPECIFIED		 REGAL - BELOIT CORPORATION	DRAWN PGK 06-04-1997			
NO.	REVISION	BY & DATE	CHK	ANG	±		UNIT	CHK	ML 06-05-1997	
E	CORRECTED IEC MARKINGS	ECO-0111208	WGJ	01-23-2017	EMH	DEC.	INCHES	APPD	GK 06-15-1997	
D	RE-DRAWN WITH REGAL LOGO	ECO-0110493	WGJ	09-30-2016	EMH	.X	±.1			
8	ADDED IEC DESIGNATIONS	MU95020	TJW	4/30/2010	MJS	.XX	±.02	TITLE CONNECTION DIAGRAM		
7	REVISED HIGH VOLTAGE L2 WAS L3	CN52600-354	MRB	09-21-1998		.XXX	±.005	SCALE		
6	REDRAWN ON CADD		PGK	06-05-1997		.XXXX	±.0005	REF		
								FINISH		
								PREV		
THIS DRAWING IN DESIGN AND DETAIL IS OUR PROPERTY AND MUST NOT BE USED EXCEPT IN CONNECTION WITH OUR WORK ALL RIGHTS OF DESIGN AND INVENTION ARE RESERVED THIS IS AN ELECTRONICALLY GENERATED DOCUMENT - DO NOT SCALE THIS PRINT				RFP	CAD FILE EE7308K			SIZE	DRAWING NO. PAGE OF	REV.
				DIST				A	EE7308K	E

CERTIFICATION DATA SHEET

Model#: 365TSTD16042 AN WINDING#: T3654202 NONE 2
 CONN. DIAGRAM: A-EE7308K ASSEMBLY: F1/F2 CAPABLE
 OUTLINE: B-SS509966-1500

TYPICAL MOTOR PERFORMANCE DATA

HP	KW	SYNC. RPM	F.L. RPM	FRAME	ENCLOSURE	KVA CODE	DESIGN
60&50	45&37	1800	1782&1482	365TS	DP	G	B

PH	Hz	VOLTS	FL AMPS	START TYPE	DUTY	INSL	S.F	AMB°C	ELEVATION
3	60/50	230/460#190/ 380	139/69.5&140/ 70	ACROSS THE LINE	CONTINUOU S	F3	1.15/1.0	40	3300

FULL LOAD EFF: 95&94.1	3/4 LOAD EFF: 95	1/2 LOAD EFF: 94.5	GTD. EFF	ELEC. TYPE	NO LOAD AMPS
			94.1	SQ CAGE IND RUN	47 / 23.5

F.L. TORQUE	LOCKED ROTOR AMPS	L.R. TORQUE	B.D. TORQUE	F.L. RISE°C
177 LB-FT	870 / 435	350 LB-FT 195	450 LB-FT 255	30

SOUND PRESSURE @ 3 FT.	SOUND POWER	ROTOR WK^2	MAX. WK^2	SAFE STALL TIME	STARTS /HOUR	APPROX. MOTOR WGT
75 dBA	85 dBA	15 LB-FT^2	- LB-FT^2	20 SEC.	-	875 LBS.

*** SUPPLEMENTAL INFORMATION ***

DE BRACKET TYPE	ODE BRACKET TYPE	MOUNT TYPE	ORIENTATION	SEVERE DUTY	HAZARDOUS LOCATION	DRIP COVER	SCREENS	PAINT
STANDARD	STANDARD	RIGID	HORIZONTAL	FALSE	NONE	FALSE	NONE	BLUE (ENAMEL)

BEARINGS		GREASE	SHAFT TYPE	SPECIAL DE	SPECIAL ODE	SHAFT MATERIAL	FRAME MATERIAL
DE	OPE	POLYREX EM	TS	NONE	NONE	1045 HOT ROLLED (C-204)	CAST IRON
BALL	BALL						
6312	6312						

THERMO-PROTECTORS				THERMISTORS	CONTROL	SPACE /n HEATERS
THERMOSTATS	PROTECTORS	WDG RTDs	BRG RTDs	NONE	FALSE	NONE VOLTS
NONE	NOT	NONE	NONE			

If Inverter equals NONE, contact factory for further information

*
N
O
T
E
S
*

INVERTER TORQUE: NONE
INV. HP SPEED RANGE: NONE
ENCODER: NONE
NONE NONE
NONE NONE PPR
BRAKE: NONE NONE
NONE P/N NONE
NONE NONE
NONE FT-LB NONE V NONE Hz

DATE: 06/21/2017 08:50:32 AM
 FORM 3531 REV.3 02/07/99
 ** Subject to change without notice.

Data Sheet

3657S TDS16042



Submittal
Data @ 460 V

Date: 6/19/2017

Customer:
Attention:
Submitted by: FAREEDA DUDEKULA

Motor Load Data

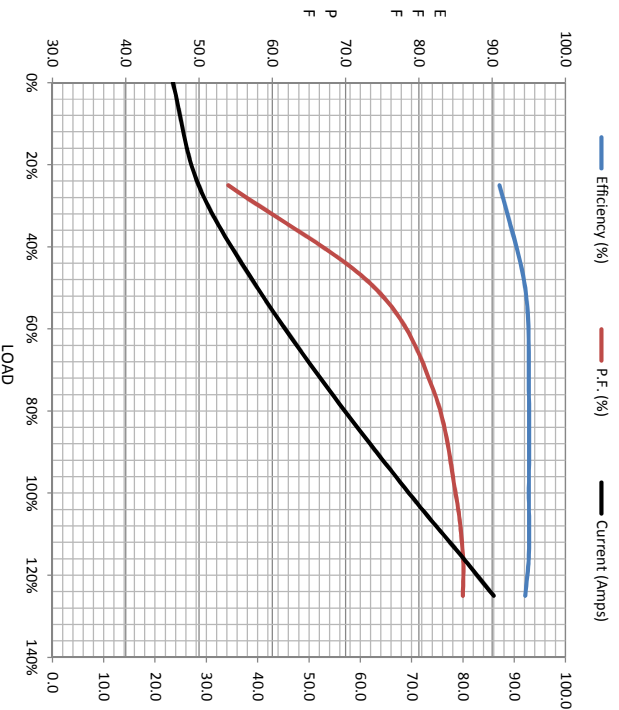
Load	0%	25%	50%	75%	100%	115%	125%	LR
Current (Amps)	23.5	28.5	40.0	54.0	69.5	79.5	86.0	435
Torque (ft-lb)	0.00	44.0	88.0	132	177	203	221	350
RPM	1800	1795	1792	1788	1782	1780	1778	0
Efficiency (%)		91.0	94.5	95.0	95.0	95.0	94.5	
P.F. (%)	5.0	54.0	74.0	82.0	85.0	86.0	86.0	32.0

Motor Speed Data

	LR	Pull-Up	BD	Rated	Idle
Speed (rpm)	0	900	1700	1782	1800
Current (Amps)	435	400	250	69.5	23.5
Torque (ft-lb)	350	300	450	177	0.00

Information Block

HP	60.0
Sync. RPM	1800
Frame	365
Enclosure	DP
Construction	TDS
Voltage	30/460#190/38 V
Frequency	60 Hz
Design	A
LR Code letter	G
Service Factor	1.15
Temp Rise @ FL	30 °C
Duty	CONT
Ambient	40 °C
Elevation	1,000 feet
Rotor/Shaft wkt	15.0 Lb-Fe
Rel Wdg	T3654202 NONE
Sound Pressure @ 1M	75 dbA
VFD Rating	NONE
Outline Dwg	B-SS509966-1500
Conn. Diag	A-EE7308K
Additional Specifications:	
0	
EQUIV CKT (OHMS / PHASE)	
R1	R2
0.0640	0.0330
X1	X2
0.4070	0.4820
Xm	Xm
	11.2810



Speed -Torque Curve

