

PRODUCT INFORMATION PACKET

marathon[®]
Motors

Model No: 286TTFNA6576
Catalog No: E639
20,1200,TEFC,286T,3/60/460
Severe Duty



Regal and Marathon are trademarks of Regal Beloit Corporation or one of its affiliated companies.
©2018 Regal Beloit Corporation, All Rights Reserved. MC017097E

REGAL[®]

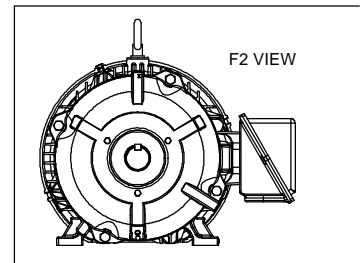
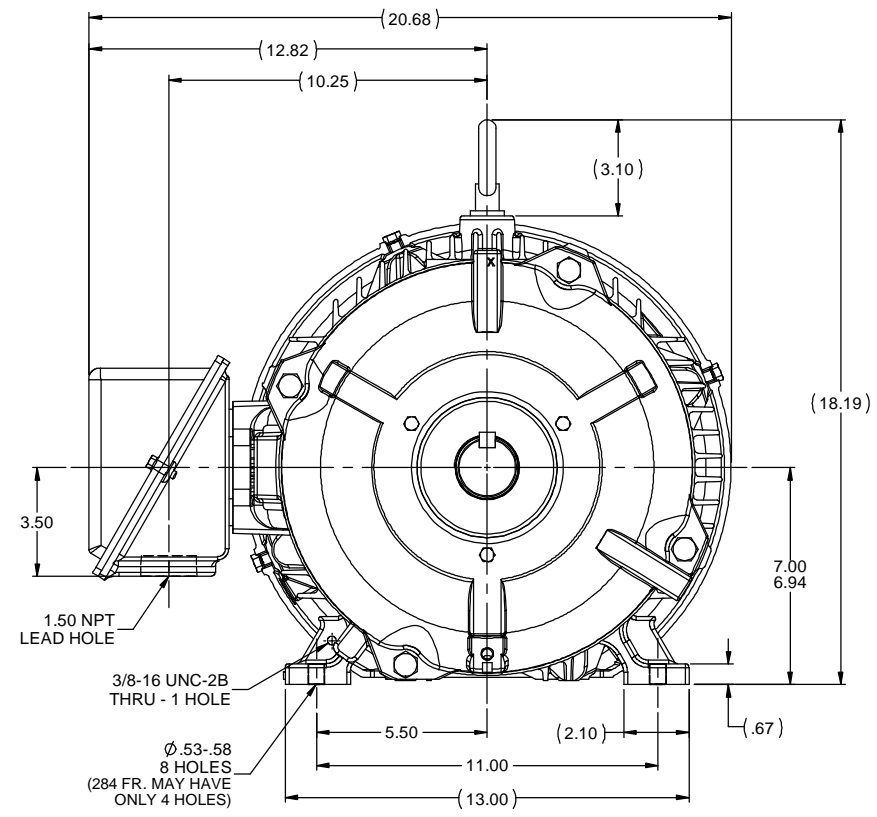
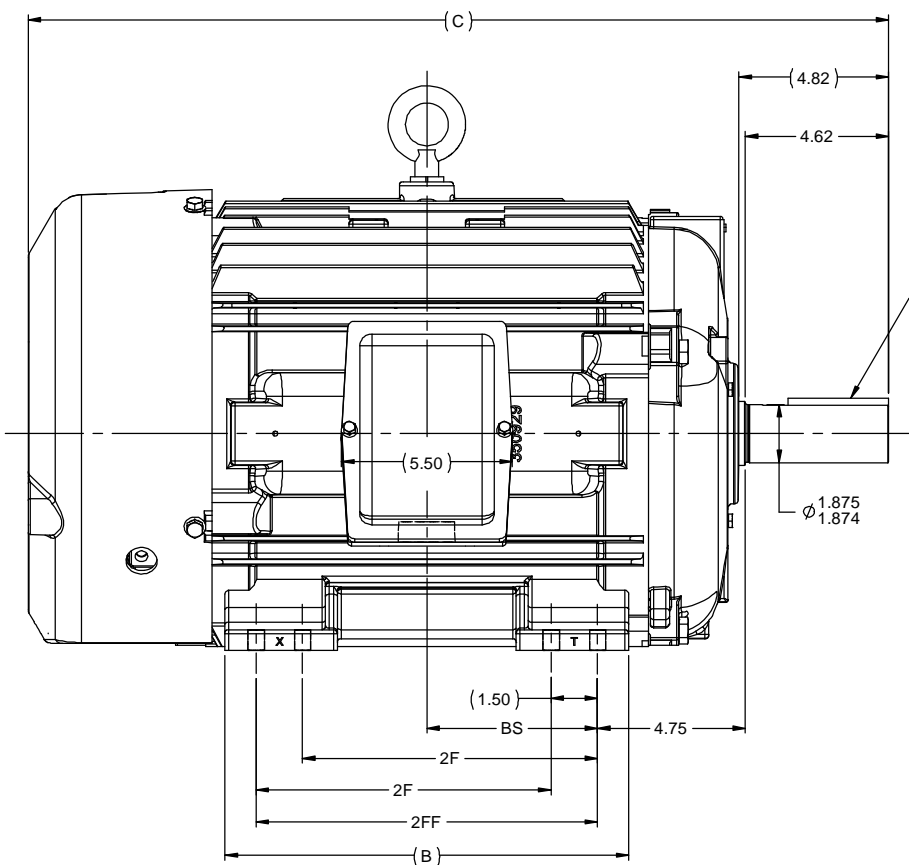
Nameplate Specifications

Output HP	20 Hp	Output KW	14.9 kW
Frequency	60 Hz	Voltage	460 V
Current	26.8 A	Speed	1175 rpm
Service Factor	1.15	Phase	3
Efficiency	91.7 %	Duty	Continuous
Insulation Class	F	Design Code	B
KVA Code	G	Frame	286T
Enclosure	Totally Enclosed Fan Cooled	Overload Protector	No
Ambient Temperature	40 °C	Drive End Bearing Size	6311
Opp Drive End Bearing Size	6210	UL	Recognized
CSA	Y	CE	Y
IP Code	54		

Technical Specifications

Electrical Type	Squirrel Cage Inverter Rated	Starting Method	Line Or Inverter
Poles	6	Rotation	Reversible
Mounting	Rigid Base	Motor Orientation	Horizontal
Drive End Bearing	Ball	Opp Drive End Bearing	Ball
Frame Material	Cast Iron	Shaft Type	T
Overall Length	27.71 in	Frame Length	14.25 in
Shaft Diameter	1.875 in	Shaft Extension	4.82 in
Assembly/Box Mounting	F1/F2 Capable		
Outline Drawing	B-SS311057-1425	Connection Diagram	A-EE7300

This is an uncontrolled document once printed or downloaded and is subject to change without notice. Date Created: 10/08/2018



- NOTES:
1. CONDUIT BOX CAN BE ROTATED UP TO 270 ° FROM ITS ORIGINAL POSITION.
 2. CONDUIT BOX CAN BE MOUNTED ON OPPOSITE SIDE BY REMOVING BRACKETS AND TURNING FRAME 180 °.
 3. NAMEPLATE TO BE READ FROM CONDUIT BOX SIDE OF MOTOR.

1275	284T	26.21	12.50	9.50	---	4.75
1425	284/286T	27.71	13.00	9.50	11.00	5.50
DASH	FRAME	C	B	2F	2FF	BS

		TOLERANCES UNLESS SPECIFIED		marathon electric		DRAWN
		DEC	INCHES			CAV 10-18-2000
4	UPDATED TO NEW FRAME DESIGN	MU106205	MSG 08-22-2012	MSG	x	±.1
3	REDRAWN IN AUTOCAD - NO CHANGE		TAT 06-29-2004	ML	xx	±.03
2	ADDED NOTE 3	MU35810	DAH 02-06-2001	ML	xxx	±.005
1	NEW DRAWING	MU34031	MSG 08-23-2012	ML	xxxx	±.0005
NO	REVISION	BY & DATE	CHK	LANG	±1/2°	FINISH
			RFP 10-18-2000		PREV	
			NETWORK FILE NAME SS311057		SIZE	DRAWING NO
					B	SS311057
						REV
						4

**THREE PHASE - SINGLE VOLTAGE
MOTOR - CONDUIT BOX @ 'A'**

**TO REVERSE ROTATION:
INTERCHANGE ANY TWO
LINE LEAD CONNECTIONS.**

TERMINAL BLOCK WHEN SPECIFIED



VIEW OF TERMINAL END

**IF MOTOR HAS
6 LEADS**



A-9806 DECAL

**OPTIONAL CORD
CONNECTION**

- L1 WHITE
- L2 RED
- L3 BLACK

DRAWING REVISION AB	REVISION BY JJB	DATE 06-27-2017
ECO ECO-0125361	APPROVED BY TB	DATE 06-27-2017
ECO DESCRIPTION UPDATED TO CURRENT STANDARDS		
<small>COPYRIGHT REGAL BELOIT AMERICA, INC. ALL RIGHTS RESERVED. PROPRIETARY AND CONFIDENTIAL INFORMATION - THIS DOCUMENT IS THE PROPERTY OF REGAL BELOIT AMERICA, INC. ("OWNER") AND CONTAINS OWNER'S PROPRIETARY INFORMATION. ANY PERSON, CORPORATION OR OTHER FIRM RECEIVING IT IS DEEMED, BY RECEIVING IT, TO AGREE THAT IT, AND/OR ANY PART OF IT, SHALL NOT BE DISCLOSED TO ANY PERSON, CORPORATION OR OTHER ENTITY, DUPLICATED, AND/OR USED, EXCEPT AS EXPRESSLY APPROVED IN WRITING IN ADVANCE BY OWNER. THIS DOCUMENT SHALL BE RETURNED TO OWNER UPON REQUEST. IT MAY BE SUBJECT TO CERTAIN RESTRICTIONS UNDER APPLICABLE EXPORT CONTROL LAWS AND REGULATIONS.</small>		



DRAWN BY DA
DATE 03-26-1993
APPROVED BY TB
DATE 03-26-1993
REFERENCE
THIRD ANGLE PROJECTION

Regal Beloit America, Inc.		
		DESCRIPTION CONNECTION DIAGRAM EXTERNAL - SINGLE VOLTAGE - 3Ø MOTOR
MATERIAL	PROCESS/FINISH	
SIZE A	DRAWING NUMBER EE7300	SHEET 1 OF 1

CERTIFICATION DATA SHEET

Model#: 286TTFNA6576 AA WINDING#: 286654 NONE 7
 CONN. DIAGRAM: A-EE7300 ASSEMBLY: F1/F2 CAPABLE
 OUTLINE: B-SS311057-1425

TYPICAL MOTOR PERFORMANCE DATA

HP	KW	SYNC. RPM	F.L. RPM	FRAME	ENCLOSURE	KVA CODE	DESIGN
20	14.9	1200	1175	286T	TEFC	G	B

PH	Hz	VOLTS	FL AMPS	START TYPE	DUTY	INSL	S.F	AMB°C	ELEVATION
3	60	460	26.8	LINE OR INVERTER	CONTINUOUS	F3	1.15	40	3300

FULL LOAD EFF: 91.7	3/4 LOAD EFF: 91.7	1/2 LOAD EFF: 91.7	GTD. EFF	ELEC. TYPE	NO LOAD AMPS
FULL LOAD PF: 76	3/4 LOAD PF: 70.5	1/2 LOAD PF: 59.5	91	SQ CAGE INV RATED	12.5

F.L. TORQUE	LOCKED ROTOR AMPS	L.R. TORQUE	B.D. TORQUE	F.L. RISE°C
89 LB-FT	145	157 LB-FT 176	238 LB-FT 267	60

SOUND PRESSURE @ 3 FT.	SOUND POWER	ROTOR WK^2	MAX. WK^2	SAFE STALL TIME	STARTS /HOUR	APPROX. MOTOR WGT
56 dBA	66 dBA	4.8 LB-FT^2	350 LB-FT^2	20 SEC.	2	550 LBS.

*** SUPPLEMENTAL INFORMATION ***

DE BRACKET TYPE	ODE BRACKET TYPE	MOUNT TYPE	ORIENTATION	SEVERE DUTY	HAZARDOUS LOCATION	DRIP COVER	SCREENS	PAINT
STANDARD	STANDARD	RIGID	HORIZONTAL	PREMIUM SEVERE DUTY	DIVISION 2 T2B	FALSE	NONE	BLUE (EPOXY)

BEARINGS		GREASE	SHAFT TYPE	SPECIAL DE	SPECIAL ODE	SHAFT MATERIAL	FRAME MATERIAL
DE	OPE						
BALL	BALL	POLYREX EM	T	NONE	NONE	1045 HOT ROLLED (C-204)	CAST IRON
6311	6210						

THERMO-PROTECTORS				THERMISTORS	CONTROL	SPACE /n HEATERS
THERMOSTATS	PROTECTORS	WDG RTDs	BRG RTDs			
NONE	NOT	NONE	NONE	NONE	FALSE	NONE VOLTS

If Inverter equals NONE, contact factory for further information

INVERTER TORQUE: CONSTANT 20:1
INV. HP SPEED RANGE: 1.5 X BASE SPEED
ENCODER: NONE
NONE NONE
NONE NONE PPR
BRAKE: NONE NONE
NONE P/N NONE
NONE NONE
NONE FT-LB NONE V NONE Hz

*
N
O
T
E
S
*

DATE: 06/21/2017 10:19:00 AM
 FORM 3531 REV.3 02/07/99
 ** Subject to change without notice.

Data Sheet

Date: 20-06-2017
 Customer: _____
 Attention: _____
 Submitted by: FAREEDA DUDEKULA



286TTFNA6576

Submittal

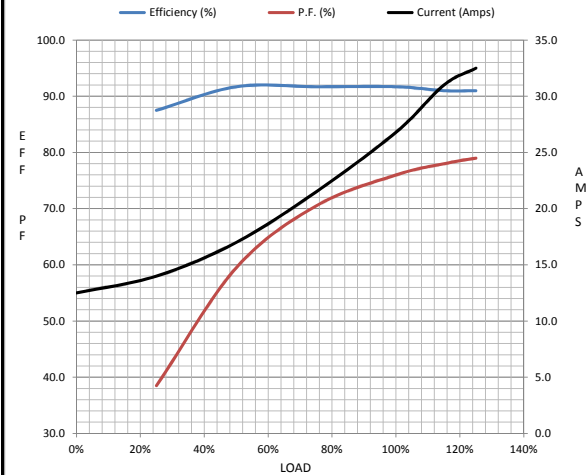
Data @ 460 V

Motor Load Data

Load	0%	25%	50%	75%	100%	115%	125%	LR
Current (Amps)	12.5	14.0	17.0	21.5	26.8	31.0	32.5	145
Torque (ft-lb)	0.00	22.0	44.0	66.5	89.0	103	112	157
RPM	1200	1195	1190	1180	1175	1,170	1167	0
Efficiency (%)		87.5	91.7	91.7	91.7	91.0	91.0	
P.F. (%)	20.5	38.5	59.5	70.5	76.0	78.0	79.0	36.0

Motor Speed Data

	LR	Pull-Up	BD	Rated	Idle	Information Block	
Speed (RPM)	0	600	1070	1175	1200	HP	20.0
Current (Amps)	145	135	93.5	26.8	12.5	Sync. RPM	1200
Torque (ft-lb)	157	152	238	89.0	0.00	Frame	286
						Enclosure	TEFC
						Construction	TFN
						Voltage	460 V
						Frequency	60 Hz
						Design	B
						LR Code letter	G
						Service Factor	1.15
						Temp Rise @ FL	60 ° C
						Duty	CONT
						Ambient	40 ° C
						Elevation	1,000 feet
						Rotor/Shaft wk²	4.8 Lb-FT²
						Ref Wdg	286654 NONE
						Sound Pressure @ 1M	56 dBA
						VFD Rating	CONSTANT 20:1
						Outline Dwg	B-SS311057-1425
						Conn. Diag	A-EE7300



HP	20.0			
Sync. RPM	1200			
Frame	286			
Enclosure	TEFC			
Construction	TFN			
Voltage	460 V			
Frequency	60 Hz			
Design	B			
LR Code letter	G			
Service Factor	1.15			
Temp Rise @ FL	60 ° C			
Duty	CONT			
Ambient	40 ° C			
Elevation	1,000 feet			
Rotor/Shaft wk²	4.8 Lb-FT²			
Ref Wdg	286654 NONE			
Sound Pressure @ 1M	56 dBA			
VFD Rating	CONSTANT 20:1			
Outline Dwg	B-SS311057-1425			
Conn. Diag	A-EE7300			
Additional Specifications:				
0				
365THFS8036				
EQUIV CKT (OHMS / PHASE)				
R1	R2	X1	X2	Xm
0.2340	0.2470	1.2520	1.2730	19.2130

Speed -Torque Curve

