

# PRODUCT INFORMATION PACKET

Model No: 145THFR5326  
Catalog No: Y523  
2,1800,TEFC,145TC,3/60/230  
1000:1 Speed Ratio



Regal and Marathon are trademarks of Regal Beloit Corporation or one of its affiliated companies.  
©2018 Regal Beloit Corporation, All Rights Reserved. MC017097E



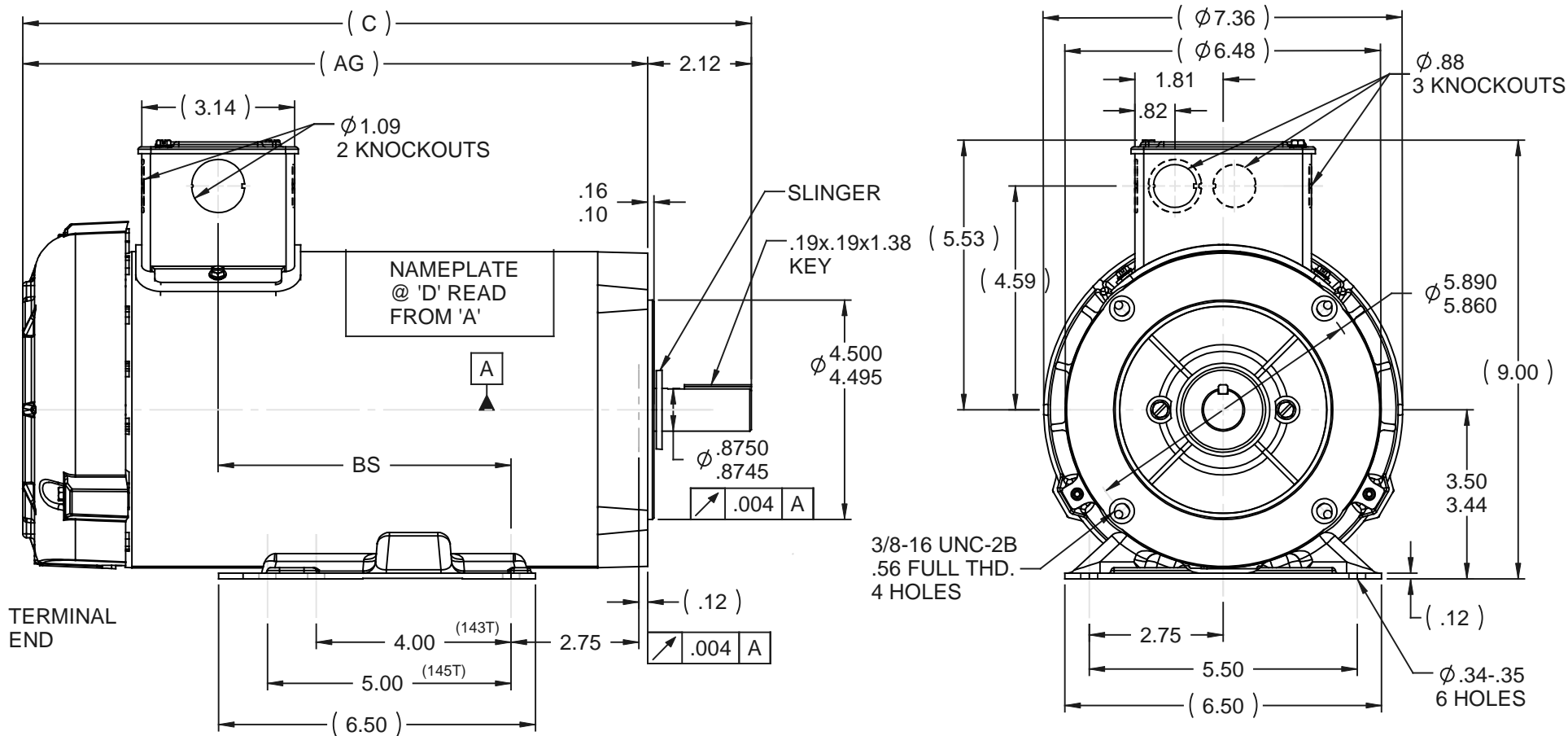


### Nameplate Specifications

Output HP	<b>2 Hp</b>	Output KW	<b>1.5 kW</b>
Frequency	<b>60 Hz</b>	Voltage	<b>230 V</b>
Current	<b>5.8 A</b>	Speed	<b>1740 rpm</b>
Service Factor	<b>1</b>	Phase	<b>3</b>
Efficiency	<b>82.5 %</b>	Duty	<b>Continuous</b>
Insulation Class	<b>H</b>	Design Code	<b>INV</b>
KVA Code	<b>L</b>	Frame	<b>145TC</b>
Enclosure	<b>Totally Enclosed Fan Cooled</b>	Overload Protector	<b>No</b>
Ambient Temperature	<b>40 °C</b>	Drive End Bearing Size	<b>6205</b>
Opp Drive End Bearing Size	<b>6203</b>	UL	<b>Recognized</b>
CSA	<b>Y</b>	CE	<b>Y</b>
IP Code	<b>43</b>		

### Technical Specifications

Electrical Type	<b>Squirrel Cage Inverter Duty</b>	Starting Method	<b>Inverter Only</b>
Poles	<b>4</b>	Rotation	<b>Reversible</b>
Mounting	<b>Bolt-on Base</b>	Motor Orientation	<b>Horizontal</b>
Drive End Bearing	<b>Ball</b>	Opp Drive End Bearing	<b>Ball</b>
Frame Material	<b>Rolled Steel</b>	Shaft Type	<b>T</b>
Overall Length	<b>14.95 in</b>	Frame Length	<b>9.56 in</b>
Shaft Diameter	<b>0.875 in</b>	Shaft Extension	<b>2.12 in</b>
Assembly/Box Mounting	<b>F3</b>		
Outline Drawing	<b>A-104962-956</b>	Connection Diagram	<b>A-EE7300</b>



DASH	FRAME	C	AG	BS	DASH	FRAME	C	AG	BS
706	140T	12.45	10.33	3.51	856	140T	13.95	11.83	5.01
756	140T	12.95	10.83	4.01	906	140T	14.45	12.33	5.51
806	140T	13.45	11.33	4.51	956	140T	14.95	12.83	6.01

NOTE:  
 1- CONDUIT BOX CAN BE ROTATED IN 180° STEPS  
 2- REMOVABLE BASE

		TOLERANCES UNLESS SPECIFIED		MARATHON ELECTRIC		DRAWN DRS 05-17-2001	
		DEC	INCHES			CHK	ML 06-04-2001
		.X	±.1			APPR	SAS 06-05-2001
3	REDRAWN ON SOLIDWORKS	DRS	.XX	±.03	TITLE	OUTLINE	SCALE 5:16
2	REDRAWN ON AUTOCAD	TAT 07-06-2004	ML	.XXX	±.005	140T FR. - TEFC - C'FACE	REF
1	NEW DRAWING MU37411	DRS 06-05-2001		.XXXX	±.0005	MAT'L	FMF
NO	REVISION	BY & DATE	CHK	ANG	±7'30"	FINISH	PREV
THIS DRAWING IN DESIGN AND DETAIL IS OUR PROPERTY AND MUST NOT BE USED EXCEPT IN CONNECTION WITH OUR WORK. ALL RIGHTS OF DESIGN AND INVENTION ARE RESERVED. THIS IS AN ELECTRONICALLY GENERATED DOCUMENT - DO NOT SCALE THIS PRINT						RFP	CAD FILE 104962
						DIST	WP
						SIZE	DRAWING NO
						<b>A</b>	<b>104962</b>
							REV
							<b>3</b>

**THREE PHASE - SINGLE VOLTAGE  
MOTOR - CONDUIT BOX @ 'A'**

**TO REVERSE ROTATION:  
INTERCHANGE ANY TWO  
LINE LEAD CONNECTIONS.**

**TERMINAL BLOCK WHEN SPECIFIED**



**VIEW OF TERMINAL END**

**IF MOTOR HAS  
6 LEADS**

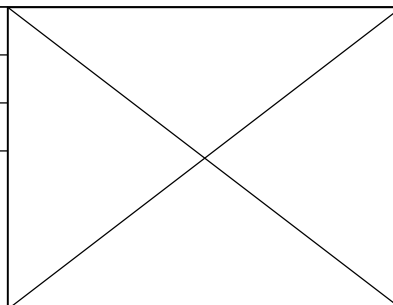


A-9806 DECAL

**OPTIONAL CORD  
CONNECTION**

- L1 \_\_\_\_\_ WHITE
- L2 \_\_\_\_\_ RED
- L3 \_\_\_\_\_ BLACK

DRAWING REVISION AB	REVISION BY JJB	DATE 06-27-2017
ECO ECO-0125361	APPROVED BY TB	DATE 06-27-2017
ECO DESCRIPTION <b>UPDATED TO CURRENT STANDARDS</b>		
<small>COPYRIGHT REGAL BELOIT AMERICA, INC. ALL RIGHTS RESERVED.                  PROPRIETARY AND CONFIDENTIAL INFORMATION - THIS DOCUMENT IS THE PROPERTY OF                  REGAL BELOIT AMERICA, INC. ("OWNER") AND CONTAINS OWNER'S PROPRIETARY                  INFORMATION. ANY PERSON, CORPORATION OR OTHER FIRM RECEIVING IT IS DEEMED,                  BY RECEIVING IT, TO AGREE THAT IT, AND/OR ANY PART OF IT, SHALL NOT BE DISCLOSED                  TO ANY PERSON, CORPORATION OR OTHER ENTITY, DUPLICATED, AND/OR USED, EXCEPT                  AS EXPRESSLY APPROVED IN WRITING IN ADVANCE BY OWNER. THIS DOCUMENT SHALL                  BE RETURNED TO OWNER UPON REQUEST. IT MAY BE SUBJECT TO CERTAIN                  RESTRICTIONS UNDER APPLICABLE EXPORT CONTROL LAWS AND REGULATIONS.</small>		



DRAWN BY DA	Regal Beloit America, Inc.
DATE 03-26-1993	
APPROVED BY TB	DESCRIPTION <b>CONNECTION DIAGRAM</b> EXTERNAL - SINGLE VOLTAGE - 3Ø MOTOR
DATE 03-26-1993	MATERIAL
REFERENCE	PROCESS/FINISH
THIRD ANGLE PROJECTION	SIZE <b>A</b>
	DRAWING NUMBER <b>EE7300</b>
	SHEET <b>1 OF 1</b>

CERTIFICATION DATA SHEET

Model#: 145THFR5326 AA WINDING#: ZT4118 R9 1  
 CONN. DIAGRAM: A-EE7300 ASSEMBLY: F3  
 OUTLINE: A-104962-956

TYPICAL MOTOR PERFORMANCE DATA

HP	KW	SYNC. RPM	F.L. RPM	FRAME	ENCLOSURE	KVA CODE	DESIGN
2	1.49	1800	1740	145TC	TEFC	L	INV

PH	Hz	VOLTS	FL AMPS	START TYPE	DUTY	INSL	S.F	AMB°C	ELEVATION
3	60	230	5.8	INVERTER ONLY	CONTINUOUS	H1	1.0	40	3300

FULL LOAD EFF: 82.5	3/4 LOAD EFF: 82.5	1/2 LOAD EFF: 81.5	GTD. EFF	ELEC. TYPE	NO LOAD AMPS
FULL LOAD PF: 77	3/4 LOAD PF: 69	1/2 LOAD PF: 56	80	SQ CAGE INV DUTY	3.2

F.L. TORQUE	LOCKED ROTOR AMPS	L.R. TORQUE	B.D. TORQUE	F.L. RISE°C
6 LB-FT	56	23 LB-FT 383	29 LB-FT 483	60

SOUND PRESSURE @ 3 FT.	SOUND POWER	ROTOR WK^2	MAX. WK^2	SAFE STALL TIME	STARTS /HOUR	APPROX. MOTOR WGT
62 dBA	72 dBA	0.14 LB-FT^2	0 LB-FT^2	0 SEC.	0	45 LBS.

EQUIVALENT WYE CKT.PARAMETERS (OHMS PER PHASE)

R1	R2	X1	X2	XM
4.2458	3.337	6.0066	5.8788	161.88
RM	ZREF	XR	TD	TD0
6659.8	142	1.5	0.0055	0.135

\*\*\* SUPPLEMENTAL INFORMATION \*\*\*

DE BRACKET TYPE	ODE BRACKET TYPE	MOUNT TYPE	ORIENTATION	SEVERE DUTY	HAZARDOUS LOCATION	DRIP COVER	SCREENS	PAINT
C-FACE	STANDARD	BOLT-ON	HORIZONTAL	FALSE	NONE	FALSE	NONE	BLACK (POWDER)

BEARINGS		GREASE	SHAFT TYPE	SPECIAL DE	SPECIAL ODE	SHAFT MATERIAL	FRAME MATERIAL
DE	OPE						
BALL	BALL	POLYREX EM	T	NONE	NONE	1144 STRESSPROOF (C-223)	ROLLED STEEL
6205	6203						

THERMO-PROTECTORS				THERMISTORS	CONTROL	SPACE /n HEATERS
THERMOSTATS	PROTECTORS	WDG RTDs	BRG RTDs			
NONE	NOT	NONE	NONE	NONE	FALSE	NONE VOLTS

If Inverter equals NONE, contact factory for further information

INVERTER TORQUE: CONSTANT 20:1
INV. HP SPEED RANGE: 2.0 X BASE SPEED
ENCODER: NONE
NONE NONE
NONE NONE PPR
BRAKE: PROVISIONS FOR KIT NONE

\*  
N  
O  
T  
E  
S  
\*

NONE	P/N	NONE	
NONE	NONE		
NONE FT-LB	NONE V	NONE Hz	

DATE: 06/23/2017 01:50:05 AM  
FORM 3531 REV.3 02/07/99  
\*\* Subject to change without notice.

Data Sheet

145THFR5326

Date: 6/19/2017

Customer:  
Attention:

FAREEDA DUDEKULA



Submital  
Data @ 230 V

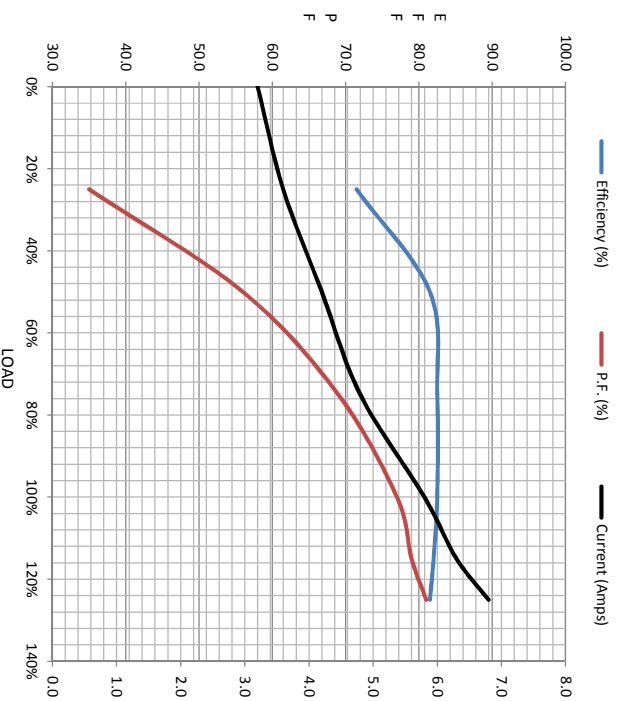
Load	Motor Load Data						
	0%	25%	50%	75%	100%	115%	125%
Current (Amps)	3.2	3.6	4.2	4.8	5.8	6.3	6.8
Torque (ft-lb)	0.00	1.50	3.0	4.5	6.0	6.8	7.5
RPM	1800	1785	1774	1760	1740	1734	1725
Efficiency (%)		71.5	81.5	82.5	82.5	81.5	81.5
P.F. (%)	9.0	35.0	56.0	69.0	77.0	79.0	81.0

Motor Speed Data

	LR	Pull-Up	BD	Rated	Idle
Speed (rpm)	0	500	1180	1740	1800
Current (Amps)	56.0	48.0	34.0	5.8	3.2
Torque (ft-lb)	23.0	19.0	29.0	6.0	0.00

Information Block

HP	2.0
Sync. RPM	1800
Frame	145
Enclosure	TEFC
Construction	TFR
Voltage	230 V
Frequency	60 HZ
Design	A
LR Code letter	L
Service Factor	1.0
Temp Rise @ FL	60 °C
Duty	CONT
Ambient	40 °C
Elevation	1,000 feet
Rotor/Shaft wkt	0.14 Lb-Fe
Rel Wdg	Z14118 F9
Sound Pressure @ 1M	62 dBA
VFD Rating	CONSTANT 20:1
Outline Dwg	A-104962-956
Conn. Diag	A-EE7300
Additional Specifications:	
0	
EQUIV CKT (OHMS / PHASE)	
R1	R2
1.0610	0.8340
X1	X2
1.5020	1.4700
Xm	Xm
	40.4700



Speed - Torque Curve

