

PRODUCT INFORMATION PACKET

Model No: 145TBFR5302
Catalog No: I205
3,3600,TEFC,145T,1/60/208-230
Totally Enclosed Fan Cooled (TEFC)



Regal and Marathon are trademarks of Regal Beloit Corporation or one of its affiliated companies.
©2018 Regal Beloit Corporation, All Rights Reserved. MC017097E



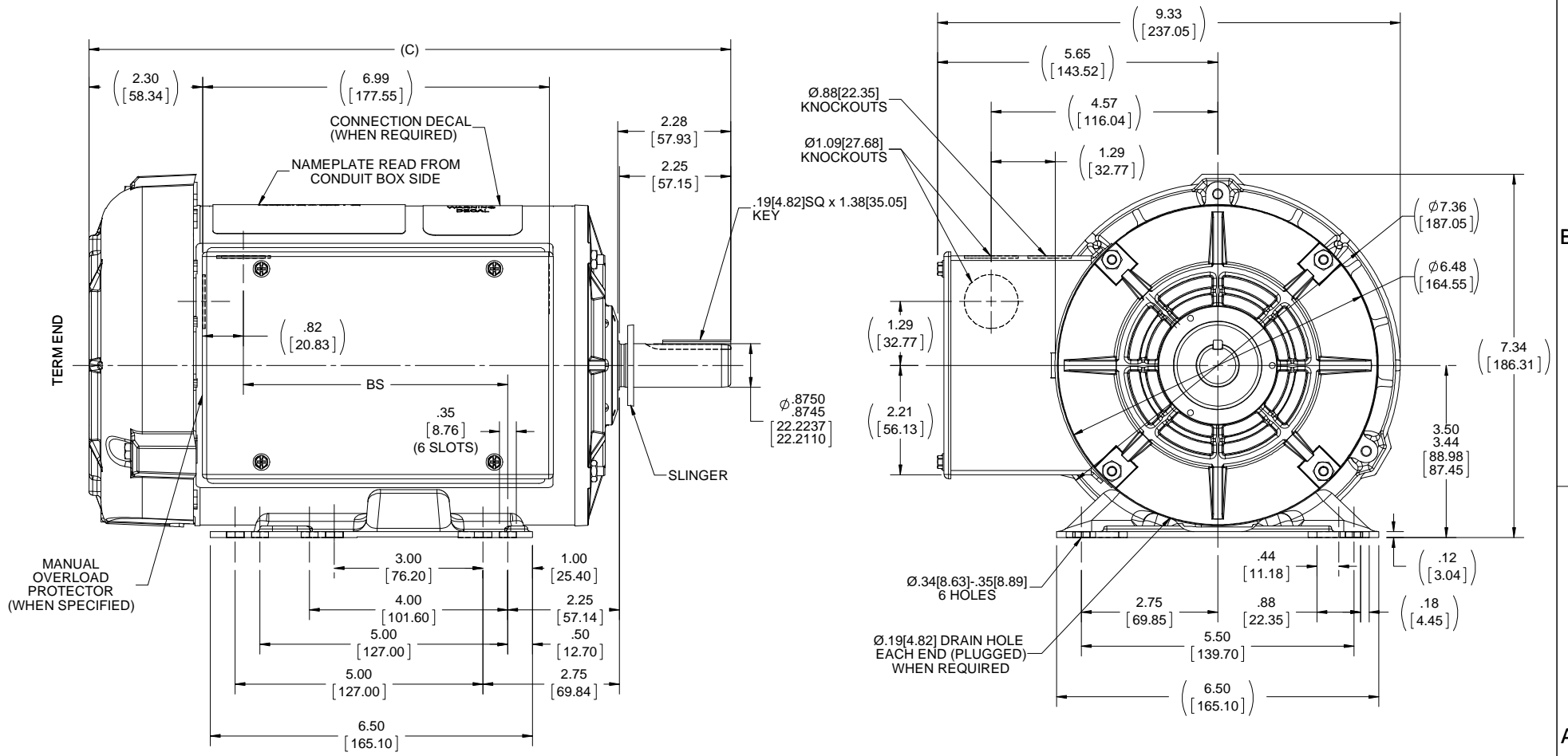
Nameplate Specifications

Output HP	3 Hp	Output KW	2.2 kW
Frequency	60 Hz	Voltage	208-230 V
Current	13.1-11.8 A	Speed	3510 rpm
Service Factor	1.15	Phase	1
Efficiency	84 %	Duty	Continuous
Insulation Class	B	Design Code	L
KVA Code	H	Frame	145T
Enclosure	Totally Enclosed Fan Cooled	Overload Protector	Manual
Ambient Temperature	40 °C	Drive End Bearing Size	6205
Opp Drive End Bearing Size	6203	UL	Recognized (Not Protector)
CSA	Y	CE	Y
IP Code	43		

Technical Specifications

Electrical Type	Capacitor Start Capacitor Run	Starting Method	Across The Line
Poles	2	Rotation	Selective Counterclockwise
Mounting	Rigid base	Motor Orientation	Horizontal
Drive End Bearing	Ball	Opp Drive End Bearing	Ball
Frame Material	Rolled Steel	Shaft Type	T
Overall Length	14.87 in	Frame Length	9.56 in
Shaft Diameter	0.875 in	Shaft Extension	2.25 in
Assembly/Box Mounting	F1 Only		
Outline Drawing	A-100116-956	Connection Diagram	A-102006-74

This is an uncontrolled document once printed or downloaded and is subject to change without notice. Date Created: 06/29/2018



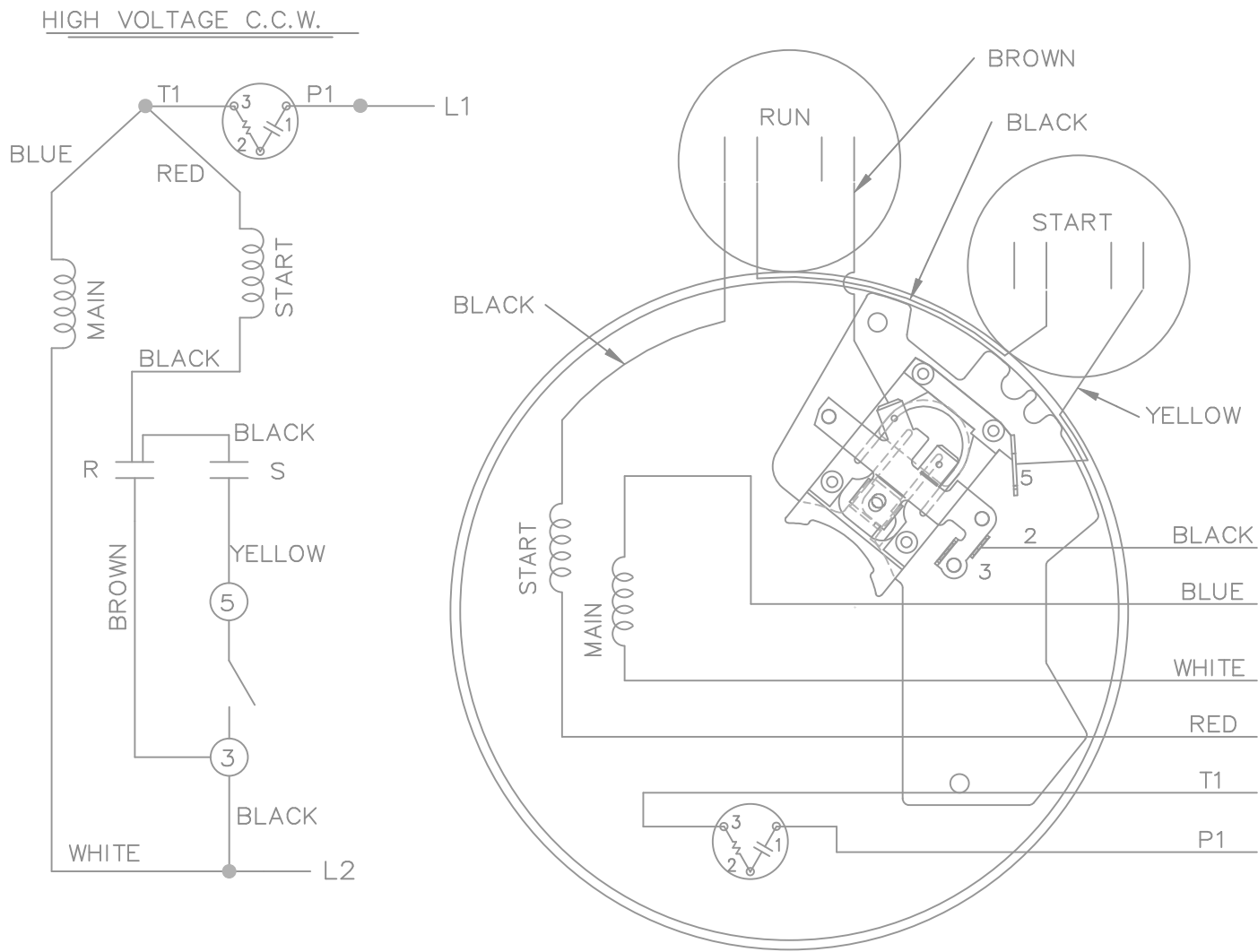
DASH	C	BS
756	12.94 [328.67]	5.33 [135.38]
806	13.44 [341.37]	5.83 [148.08]
856	13.94 [354.07]	6.33 [160.78]
906	14.44 [366.77]	6.83 [173.48]
956	14.94 [379.47]	7.33 [186.18]

DRAWING REVISION L	REVISION BY H. ADIKE	DATE 03-22-2018
ECO ECO-0143026	APPROVED BY PST	DATE 04/12/2018
ECO DESCRIPTION OUTLINE CONVERSION PROJECT		
<small>COPYRIGHT REGAL BELOIT AMERICA, INC. ALL RIGHTS RESERVED. PROPRIETARY AND CONFIDENTIAL INFORMATION - THIS DOCUMENT IS THE PROPERTY OF REGAL BELOIT AMERICA, INC. (OWNER) AND CONTAINS OWNER'S PROPRIETARY INFORMATION. ANY PERSON, CORPORATION OR OTHER FIRM RECEIVING IT IS DEEMED, BY RECEIVING IT, TO AGREE THAT IT, AND/OR ANY PART OF IT, SHALL NOT BE DISCLOSED TO ANY PERSON, CORPORATION OR OTHER ENTITY, DUPLICATED, AND/OR USED, EXCEPT AS EXPRESSLY APPROVED IN WRITING IN ADVANCE BY OWNER. THIS DOCUMENT SHALL BE RETURNED TO OWNER UPON REQUEST. IT MAY BE SUBJECT TO CERTAIN RESTRICTIONS UNDER APPLICABLE EXPORT CONTROL LAWS AND REGULATIONS.</small>		

TOLERANCES UNLESS OTHERWISE SPECIFIED:			
DEC.	INCH	mm	ANGLE
-X	+0.1	[+2.5]	±7.30°
.XX	+0.03	[+0.76]	
.XXX	+0.005	[+0.127]	
.XXXX	+0.0005	[+0.0127]	
REMOVE BURRS & BREAK SHARP EDGES: .003/.015 [0.076/.381] X 45°			
CORNER FILLETS: R.02 [51]			
MACHINED SURFACES: 200 $\sqrt{5.1}$			
mm SHOWN IN [BRACKETS]			

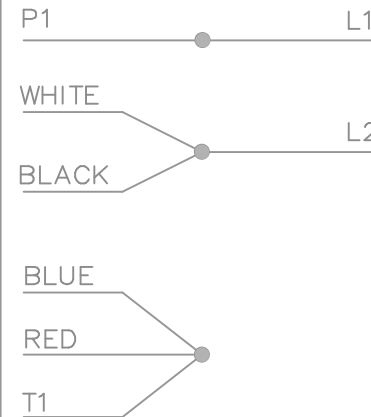
DRAWN BY RM
DATE 08-12-1991
APPROVED BY GK
DATE 08-12-1991
REFERENCE 100116
THIRD ANGLE PROJECTION

Regal Beloit America, Inc.	
DESCRIPTION OUTLINE 140 FR. 56 HZ - TEFC 1Ø - BB	
MATERIAL	PROCESS/FINISH
SIZE B	DRAWING NUMBER 100116
SHEET 1 OF 1	



HIGH VOLTAGE CAPACITOR
START OVERLOAD
SELECT ROTATION

HIGH VOLTAGE C.C.W. ROT.



FOR C.W. ROTATION
INTERCHANGE RED WITH
BLACK LEAD

			TOLERANCES UNLESS SPECIFIED			DRAWN KL 11-19-1993			
			DEC.	INCHES		CHK ML 12-07-1993			
				.X	±.1		APPD GK 12-07-1993		
4	CHANGED WIRE F/ BLACK TO/ BROWN CN46371	RJW 01-31-2006	ML	.XX	±.02	TITLE CONNECTION DIAGRAM	SCALE 5=8		
3	CAP LEAD COLORS REV'D CN 16210	AJS 08-29-1994		.XXX	±.005		REF		
2	REDRAWN ON CADD, NO CHANGED	KL 12-08-1993		.XXXX	±.0005	MAT'L.	FMF		
NO.	REVISION	BY & DATE	CHK	ANG	±'30"	FINISH	PREV		
THIS DRAWING IN DESIGN AND DETAIL IS OUR PROPERTY AND MUST NOT BE USED EXCEPT IN CONNECTION WITH OUR WORK ALL RIGHTS OF DESIGN AND INVENTION ARE RESERVED THIS IS AN ELECTRONICALLY GENERATED DOCUMENT - DO NOT SCALE THIS PRINT			RFP	CAD FILE 102006_74		SIZE A	DRAWING NO. 102006-74	PAGE OF 4	REV. 4
			DIST	WP					

