

PRODUCT INFORMATION PACKET

Model No: 143TTWD16038
Catalog No: N151A
1,1800,TEFC,143JM,3/60/230/460
Washdown Duty



Regal and Marathon are trademarks of Regal Beloit Corporation or one of its affiliated companies.
©2018 Regal Beloit Corporation, All Rights Reserved. MC017097E



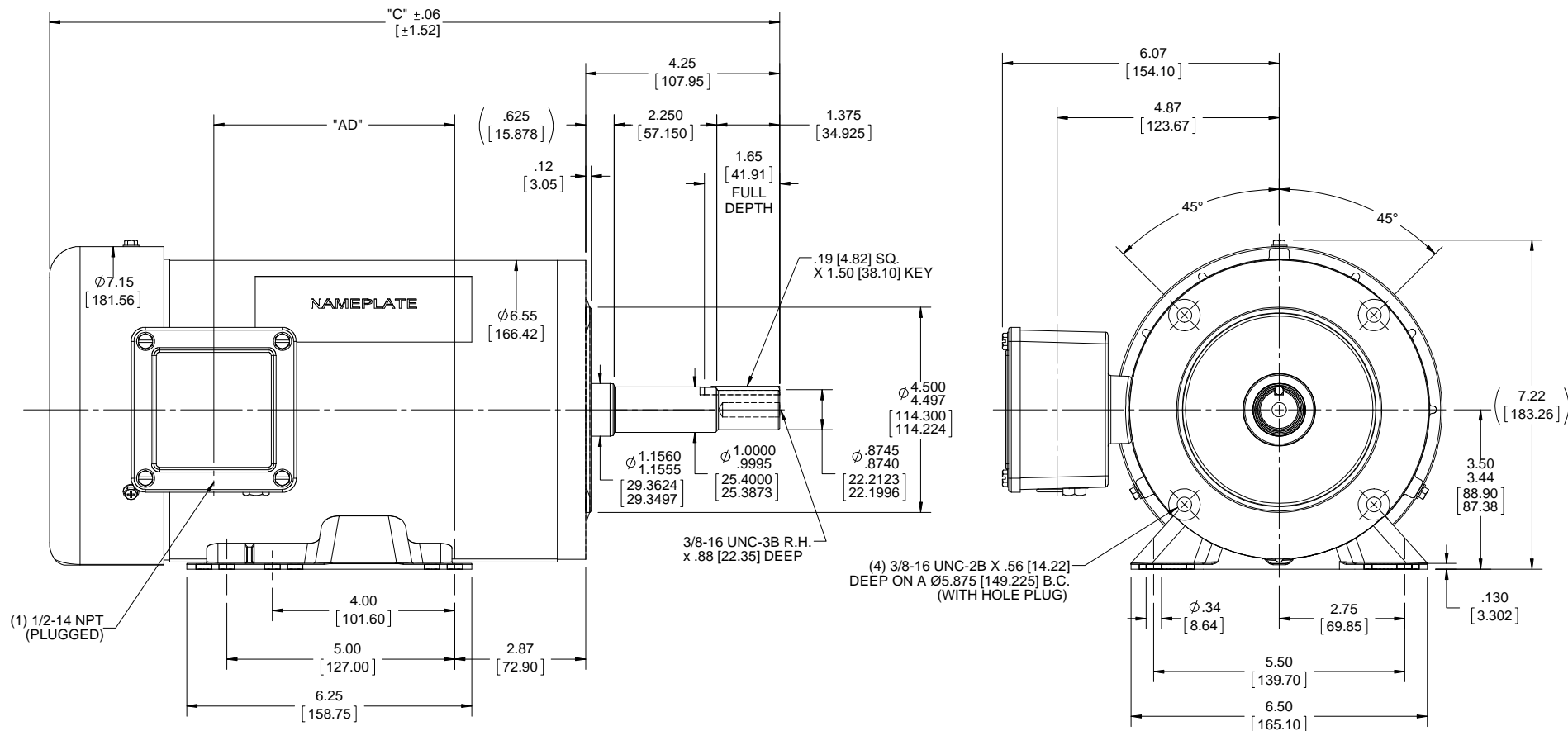
Nameplate Specifications

Output HP	1 Hp	Output KW	0.75 kW
Frequency	60 Hz	Voltage	230/460 V
Current	3.2/1.6 A	Speed	1725 rpm
Service Factor	1.15	Phase	3
Efficiency	85.5 %	Duty	Continuous
Insulation Class	F	Design Code	B
KVA Code	N	Frame	143JM
Enclosure	Totally Enclosed Fan Cooled	Overload Protector	No
Ambient Temperature	40 °C	Drive End Bearing Size	6206
Opp Drive End Bearing Size	6203	UL	Recognized
CSA	Y	CE	Y
IP Code	56		

Technical Specifications

Electrical Type	Squirrel Cage Inverter Rated	Starting Method	Line Or Inverter
Poles	4	Rotation	Reversible
Mounting	Rigid base	Motor Orientation	Horizontal
Drive End Bearing	Ball	Opp Drive End Bearing	Ball
Frame Material	Stainless Steel	Shaft Type	JM
Overall Length	16 in	Frame Length	8.50 in
Shaft Diameter	0.875 in	Shaft Extension	4.25 in
Assembly/Box Mounting	F1/F2 Capable		
Outline Drawing	607-0229-850	Connection Diagram	005010.01

This is an uncontrolled document once printed or downloaded and is subject to change without notice. Date Created: 06/29/2018



MAXIMUM FACE RUNOUT TO BE 0.004 [0.101] T.I.R.
 MAXIMUM PILOT ECCENTRICITY 0.004 [0.101] T.I.R.
 PERMISSIBLE SHAFT RUNOUT 0.002 [0.050] T.I.R.

DASH NO.	"C"	"AD"
850	16.00 [406.40]	5.28[134.11]
900	16.50 [419.10]	5.78 [146.81]
950	17.00 [431.80]	6.28 [159.51]

NOTE:-

- 1) VITON CONDUIT BOX & COVER GASKETS.
- 2) VITON O-RING IN END BELL RABBETS & UNDER BOLT HEADS.
- 3) VITON SHAFT SEAL.
- 4) BREATHER PLUG IN CONDUIT BOX & L.E ENDBELL.
- 5) ALL STAINLESS STEEL CONSTRUCTION .

DRAWING REVISION B	REVISION BY H. ADIKE	DATE 12/22/2017	TOLERANCES UNLESS OTHERWISE SPECIFIED: DEC. INCH mm ANGLE -X ±0.1 [±2.5] ±7-30° .XX ±0.03 [±0.76] .XXX ±0.005 [±0.127] .XXXX ±0.0005 [±0.0127]	DRAWN BY KIR	Regal Beloit America, Inc.
ECO ECO-0143018	APPROVED BY PK	DATE 04-10-2018	REMOVE BURRS & BREAK SHARP EDGES: .003/.015 [076/381] X 45 ° CORNER FILLETS: R.02 [51] MACHINED SURFACES: 200 INCH mm 5.1 mm SHOWN IN [BRACKETS]	DATE 11/24/15	
ECO DESCRIPTION OUTLINE CONVERSION PROJECT COPYRIGHT REGAL BELOIT AMERICA, INC. ALL RIGHTS RESERVED. PROPRIETARY AND CONFIDENTIAL INFORMATION - THIS DOCUMENT IS THE PROPERTY OF REGAL BELOIT AMERICA, INC. ("OWNER") AND CONTAINS OWNER'S PROPRIETARY INFORMATION. ANY PERSON, CORPORATION OR OTHER FIRM RECEIVING IT IS DEEMED, BY RECEIVING IT, TO AGREE THAT IT, AND/OR ANY PART OF IT, SHALL NOT BE DISCLOSED TO ANY PERSON, CORPORATION OR OTHER ENTITY, DUPLICATED, AND/OR USED, EXCEPT AS EXPRESSLY APPROVED IN WRITING IN ADVANCE BY OWNER. THIS DOCUMENT SHALL BE RETURNED TO OWNER UPON REQUEST. IT MAY BE SUBJECT TO CERTAIN RESTRICTIONS UNDER APPLICABLE EXPORT CONTROL LAWS AND REGULATIONS.				APPROVED BY JD	DESCRIPTION OUTLINE 140JM FRAME TEFC - RIGID "C"
				DATE 11-24-2015	MATERIAL
				REFERENCE 607-0229	PROCESS/FINISH
				THIRD ANGLE PROJECTION	MATERIAL
				SIZE B	DRAWING NUMBER 607-0229
					SHEET 1 OF 1

005010-01

VIEW FROM OUTSIDE OF MOTOR AT SWITCH END.



VOLTAGE	L1	L2	L3	JOIN & INSULATE
HIGH	T1	T2	T3	(T4,T7) (T5,T8) (T6,T9)
LOW	T1,T7	T2,T8	T3,T9	T4,T5,T6

		TOLERANCES UNLESS SPECIFIED		REGAL™ Regal Beloit America, Inc.		DRAWN RDW 04/12/02				
						CHK	APPD			
		DEC.	INCHES	TITLE EXTERNAL WIRING DIAGRAM 3 PHASE W/O PROTECTOR	SCALE 1=1					
		.X	±.1		REF FIG.2-51					
		.XX	±.01		FMF					
		.XXX	±.005		PREV					
A	UPDATED TO REGAL LOGO	SAJ	06/26/15	AJY	.XXXX	±.0005	MAT'L. DECAL - 004014			
NO.	REVISION	BY & DATE	CHK	ANG	±1/2"	FINISH				
THIS DRAWING IN DESIGN AND DETAIL IS OUR PROPERTY AND MUST NOT BE USED EXCEPT IN CONNECTION WITH OUR WORK ALL RIGHTS OF DESIGN AND INVENTION ARE RESERVED THIS IS AN ELECTRONICALLY GENERATED DOCUMENT - DO NOT SCALE THIS PRINT				RFP	04/12/02	CAD FILE	00501001	SIZE A	DRAWING NO. 005010-01	REV. A
				DIST	BRF-NLV					

CERTIFICATION DATA SHEET

Model#: 143TTWD16038 AA WINDING#: T634342 FR 3
 CONN. DIAGRAM: 005010.01 ASSEMBLY: F1/F2 CAPABLE
 OUTLINE: 607-0229-850

TYPICAL MOTOR PERFORMANCE DATA

HP	KW	SYNC. RPM	F.L. RPM	FRAME	ENCLOSURE	KVA CODE	DESIGN
1&1	.75&.75	1800	1725&1450	143JM	TEFC	N	B

PH	Hz	VOLTS	FL AMPS	START TYPE	DUTY	INSL	S.F	AMB°C	ELEVATION
3	60/50	230/460#190/ 380	3.2/1.6&3.4/1. 7	LINE OR INVERTER	CONTINUOU S	F4	1.15/1.15	40	3300

FULL LOAD EFF: 85.5&81.5	3/4 LOAD EFF: 85.4	1/2 LOAD EFF: 79.6	GTD. EFF	ELEC. TYPE	NO LOAD AMPS
FULL LOAD PF: 68.5&78	3/4 LOAD PF: 61.5	1/2 LOAD PF: 51.5	0	SQ CAGE INV RATED	2 / 1

F.L. TORQUE	LOCKED ROTOR AMPS	L.R. TORQUE	B.D. TORQUE	F.L. RISE°C
3 LB-FT	28 / 14	12 LB-FT 0	15.8 LB-FT 0	0

SOUND PRESSURE @ 3 FT.	SOUND POWER	ROTOR WK^2	MAX. WK^2	SAFE STALL TIME	STARTS /HOUR	APPROX. MOTOR WGT
0 dBA	10 dBA	0.12 LB-FT^2	0.1 LB-FT^2	10 SEC.	0	0 LBS.

***** SUPPLEMENTAL INFORMATION *****

DE BRACKET TYPE	ODE BRACKET TYPE	MOUNT TYPE	ORIENTATION	SEVERE DUTY	HAZARDOUS LOCATION	DRIP COVER	SCREENS	PAINT
C-FACE	STANDARD	RIGID	HORIZONTAL	FALSE	NONE	FALSE	NONE	NO PAINT

BEARINGS		GREASE	SHAFT TYPE	SPECIAL DE	SPECIAL ODE	SHAFT MATERIAL	FRAME MATERIAL
DE	OPE	POLYREX EM	JM	NONE	NONE	303 STAINLESS (C-501)	STAINLESS STEEL
BALL	BALL						
6206	6203						

THERMO-PROTECTORS				THERMISTORS	CONTROL	SPACE /n HEATERS
THERMOSTATS	PROTECTORS	WDG RTDs	BRG RTDs	NONE	FALSE	NONE VOLTS
NONE	NOT	NONE	NONE			

If Inverter equals NONE, contact factory for further information

*
N
O
T
E
S
*

INVERTER TORQUE: CONSTANT 3:1 INV. HP SPEED RANGE: NONE
ENCODER: NONE NONE NONE NONE NONE PPR
BRAKE: NONE NONE NONE P/N NONE NONE NONE NONE FT-LB NONE V NONE Hz

DATE: 06/23/2017 01:02:00 AM
 FORM 3531 REV.3 02/07/99
 ** Subject to change without notice.

Data Sheet

Date: 20-06-2017
 Customer: _____
 Attention: _____
 Submitted by: FAREEDA DUDEKULA

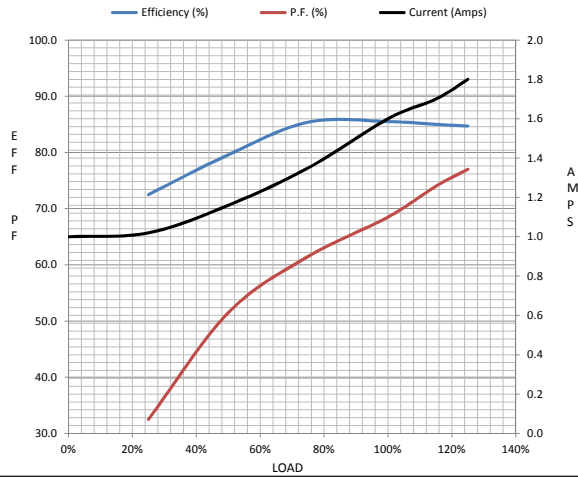


143TTWD16038

Submittal
 Data @ 460 V

Motor Load Data									
Load	0%	25%	50%	75%	100%	115%	125%	LR	
Current (Amps)	1.00	1.02	1.16	1.35	1.60	1.70	1.80	14.0	
Torque (ft-lb)	0.00	0.75	1.50	2.25	3.0	3.5	3.8	12.0	
RPM	1800	1789	1779	1769	1760	1,750	1745	0	
Efficiency (%)		72.5	79.6	85.4	85.5	85.0	84.7		
P.F. (%)	8.0	32.5	51.5	61.5	68.5	74.0	77.0	41.0	

Motor Speed Data						Information Block	
	LR	Pull-Up	BD	Rated	Idle		
Speed (RPM)	0	900	1170	1760	1800	HP	1.0
Current (Amps)	14.0	13.0	9.9	1.60	1.00	Sync. RPM	1800
Torque (ft-lb)	12.0	11.9	15.8	3.0	0.00	Frame	140
						Enclosure	TEFC
						Construction	TFR



Voltage	30/460#190/38V	
Frequency	60	Hz
Design	B	
LR Code letter	N	
Service Factor	1.15	
Temp Rise @ FL	38	° C
Duty	CONT	
Ambient	40	° C
Elevation	1,000 feet	
Rotor/Shaft wk²	0.12 Lb-Ft²	
Ref Wdg	T634342 FR	
Sound Pressure @ 1M	65	dBA
VFD Rating	CONSTANT 3:1	
Outline Dwg	607-0229-850	
Conn. Diag	005010.01	
Additional Specifications:		
0		
365THFS8036		
EQUIV CKT (OHMS / PHASE)		
R1	R2	X1
0.0000	0.0000	0.0000
X2	Xm	
0.0000	0.0000	

