

# PRODUCT INFORMATION PACKET

Model No: 5KH33GN5014U

Catalog No: 4774

Fan and Blower Motor, 0.33 HP, 1 Ph, 60 Hz, 115 V, 3600 RPM, 48N Frame, TENV



Regal and Marathon are trademarks of Regal Rexnord Corporation or one of its affiliated companies.

©2022 Regal Rexnord Corporation, All Rights Reserved. MC017097E

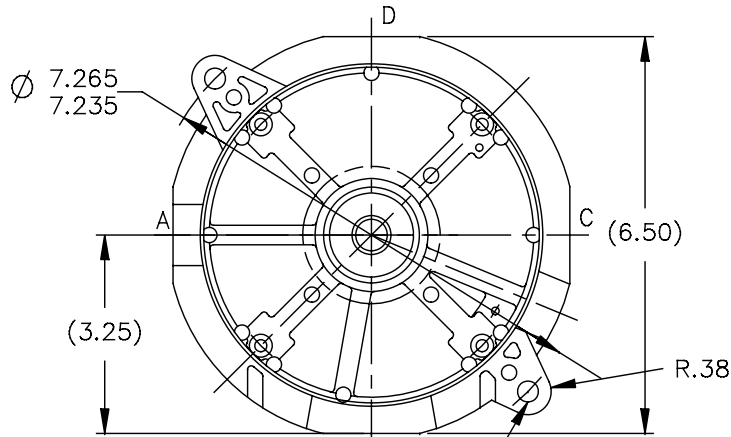
### Nameplate Specifications

Output HP	<b>0.33 Hp</b>	Output KW	<b>0.25 kW</b>
Frequency	<b>60 Hz</b>	Voltage	<b>115 V</b>
Current	<b>4.9 A</b>	Speed	<b>3450 rpm</b>
Service Factor	<b>1</b>	Phase	<b>1</b>
Efficiency	<b>62.6 %</b>	Power Factor	<b>0</b>
Duty	<b>Continuous</b>	Insulation Class	<b>B</b>
KVA Code	<b>P</b>	Frame	<b>48N</b>
Enclosure	<b>Totally Enclosed Non Ventilated</b>	Thermal Protection	<b>Manual</b>
Ambient Temperature	<b>40 °C</b>	Drive End Bearing Size	<b>6203</b>
Opp Drive End Bearing Size	<b>6203</b>	UL	<b>Recognized</b>
CSA	<b>Yes</b>	CE	<b>N</b>
Number of Speeds	<b>1</b>		

### Technical Specifications

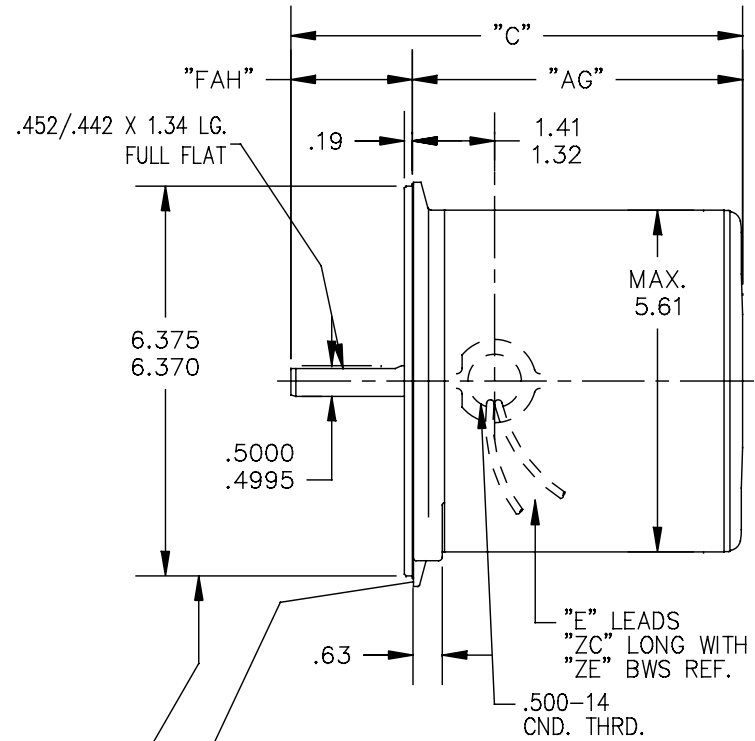
Electrical Type	<b>Split Phase</b>	Starting Method	<b>SM</b>
Poles	<b>2</b>	Rotation	<b>Clockwise/Counterclockwise</b>
Mounting	<b>Round</b>	Motor Orientation	<b>ANY</b>
Drive End Bearing	<b>BALL</b>	Opp Drive End Bearing	<b>Ball</b>
Frame Material	<b>Rolled Steel</b>	Overall Length	<b>8.45 in</b>
Frame Length	<b>5.41 in</b>	Shaft Diameter	<b>0.500 in</b>
Shaft Extension	<b>1.88 in</b>	Thru-bolts Extension	<b>0 in</b>
Outline Drawing	<b>52A113116P1</b>	Connection Drawing	<b>52A105379AH</b>

This is an uncontrolled document once printed or downloaded and is subject to change without notice. Date Created:11/28/2022



.35  
.33 DIA. (2 HOLES)  
THESE HOLES FIT A GAGE HAVING A RABBET 6.3755 DIA. AND 2 PINS .3309 DIA. LOCATED ON THE BASIC HOLE POSITIONS.

ECCENTRICITY OF THIS SURFACE (WITH INDICATOR MOUNTED STATIONARY RELATIVE TO SHAFT) MUST NOT EXCEED .006 T.I.R.



FACE RUNOUT (WITH INDICATOR MOUNTED STATIONARY RELATIVE TO SHAFT) MUST NOT EXCEED .006 T.I.R.

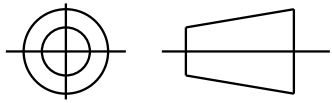
1	KH	39	48N	7.67	5.58	2	22/20	.69	2.09/1.97		4.63
1	KH	33	48N	8.45	6.36	2	22/20	.69	2.09/1.97		5.410
P	TYPE	RBC SIZE	NEMA FR.	"C"	"AG"	"E"	"ZC"	"ZE"	"FAH"		MIN.

				TOLERANCES UNLESS SPECIFIED						DRAWN BS 08/19/11	
				DEC.	INCHES					CHK	
				.X	±0.1					APPD PVK 08/19/11	
				.XX	±0.02	TITLE				SCALE 1=1	
				.XXX	±0.005	OUTLINE				REF	
						FORM "N" - OIL BURNER MOTOR - TWO LUGS FLANGE MOUNTED				FMF	
1	P2 ADDED PER INTERNAL SAMPLE 15-4496		PVK 01/12/15	PVK	.XXXX	±0.0005	MAT'L.				
NO.	REVISION		BY & DATE	CHK	ANG	±1.0	FINISH				
				RFP	CAD FILE		52A113116		SIZE	DRAWING NO.	
				DIST					A	52A113116	
										REV.	1

THIS DRAWING IN DESIGN AND DETAIL IS OUR PROPERTY AND MUST NOT BE USED EXCEPT IN CONNECTION WITH OUR WORK ALL RIGHTS OF DESIGN AND INVENTION ARE RESERVED THIS IS AN ELECTRONICALLY GENERATED DOCUMENT - DO NOT SCALE THIS PRINT

SHEET 1  
 REV 1  
 SIZE 52A105379AH  
 DRAWING NO. A

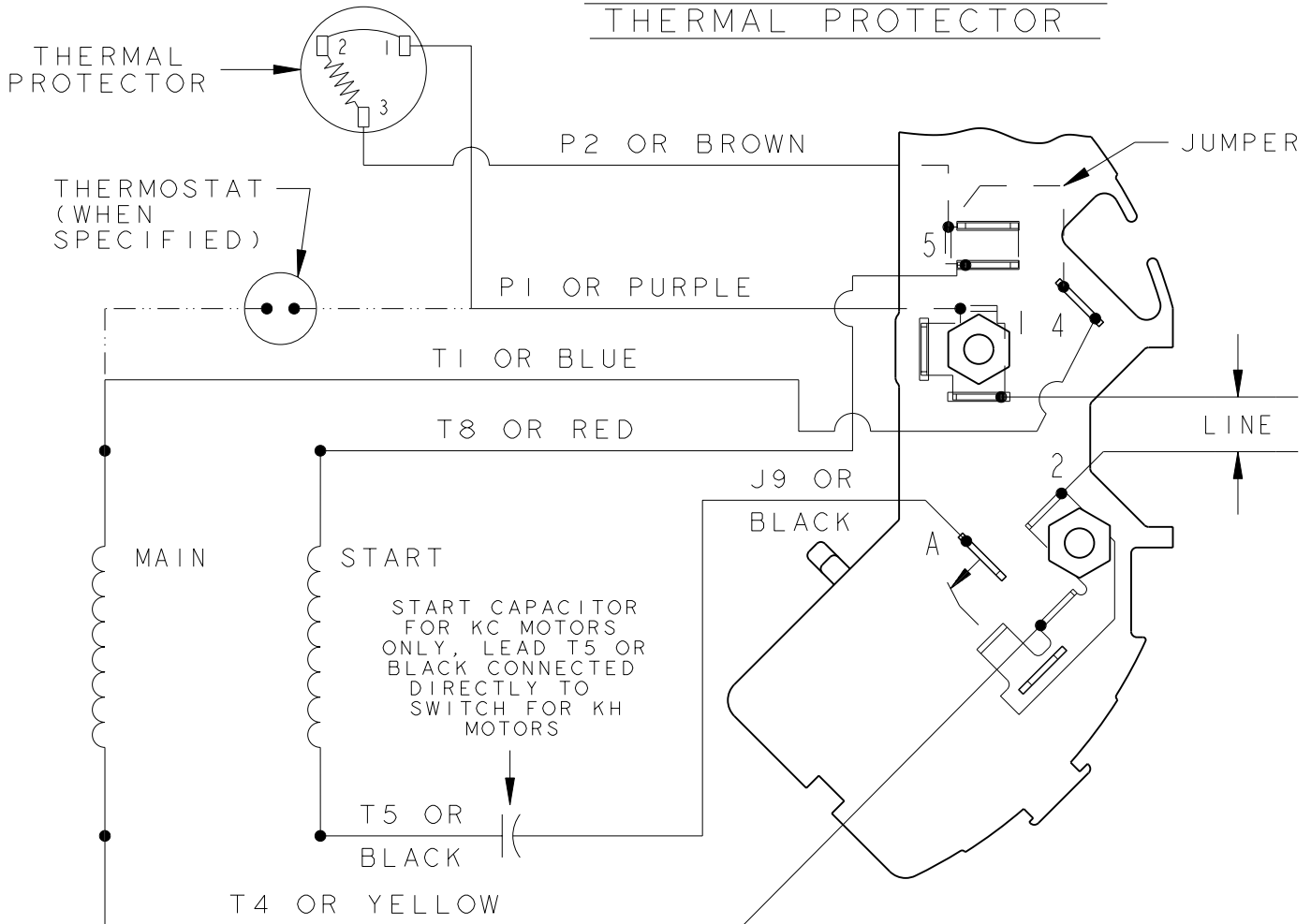
THIRD ANGLE PROJECTION



REVISIONS

REV.	DESCRIPTION	DATE	APPROVED
1	UPDATED FORMAT	12/01/05	MAM

EITHER ROTATION - SINGLE VOLTAGE  
TYPE KC OR KH WITH  
THERMAL PROTECTOR



NOTE #1 - TO REVERSE ROTATION INTERCHANGE RED (T8) AND BLACK (J9-KC OR T5-KH) LEADS.

NOTE #2 - WHEN MORE THAN ONE CAPACITOR IS USED CONNECT IN PARALLEL.

SWITCH (C) - 115D958AB

REF. DIAGS. - 121A851

CONNECTION LABEL - NP52X332048

SIGNATURES		DATE
MODEL	M. D. PAPE	08/18/88
DETAIL	.	.
CHECKED	.	.
ENGRG	.	.
MFG	.	.



REGAL-BELOIT CORPORATION

TITLE **CONNECTION DIAGRAM**

**FMF: 30FR SWITCH REDESIGN (SIM TO 52A105379AA)**

FOR ADDITIONAL INFO REFER TO:  
 APPLIED PRACTICES  
 DIMENSIONS ARE IN INCHES ✓

QUALITY	.	.
ISSUED	M. D. P.	08/18/88

SIZE DRAWING A  
**52A105379AH** REV 1

MATERIAL SOLID MODEL: 52A105379AH

SCALE: 1.000 REF. No: . SHEET 1 of 1