

PRODUCT INFORMATION PACKET

Model No: 5KC33FN31
Catalog No: C1419
1/3,3600,TEFC,56C,1/60/115/230
Totally Enclosed Fan Cooled (TEFC)



Regal and Marathon are trademarks of Regal Beloit Corporation or one of its affiliated companies.
©2018 Regal Beloit Corporation, All Rights Reserved. MC017097E



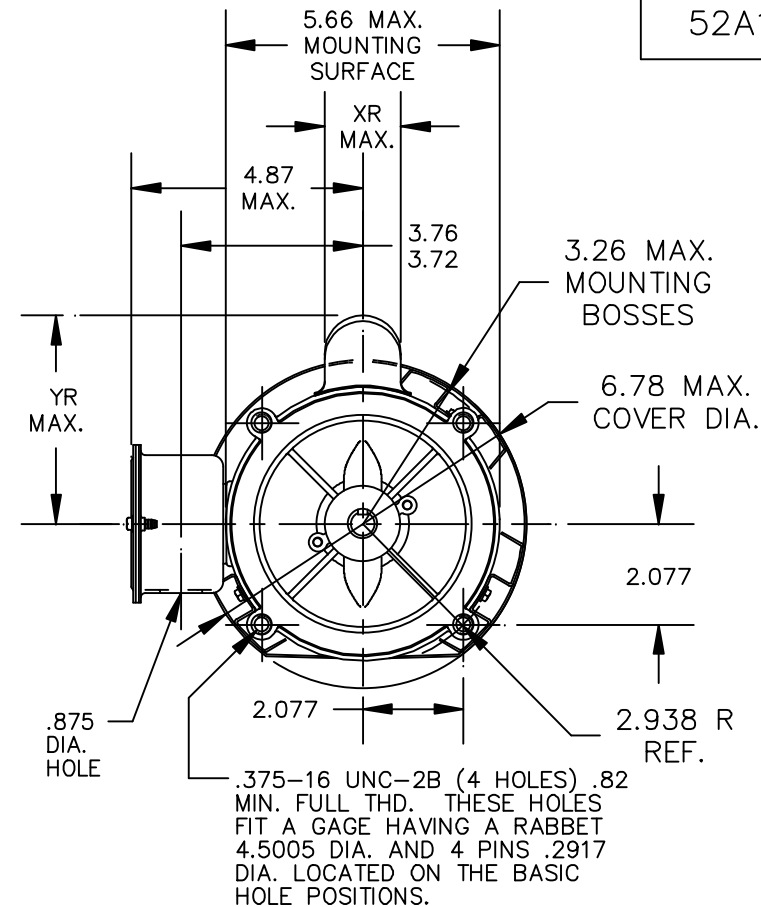
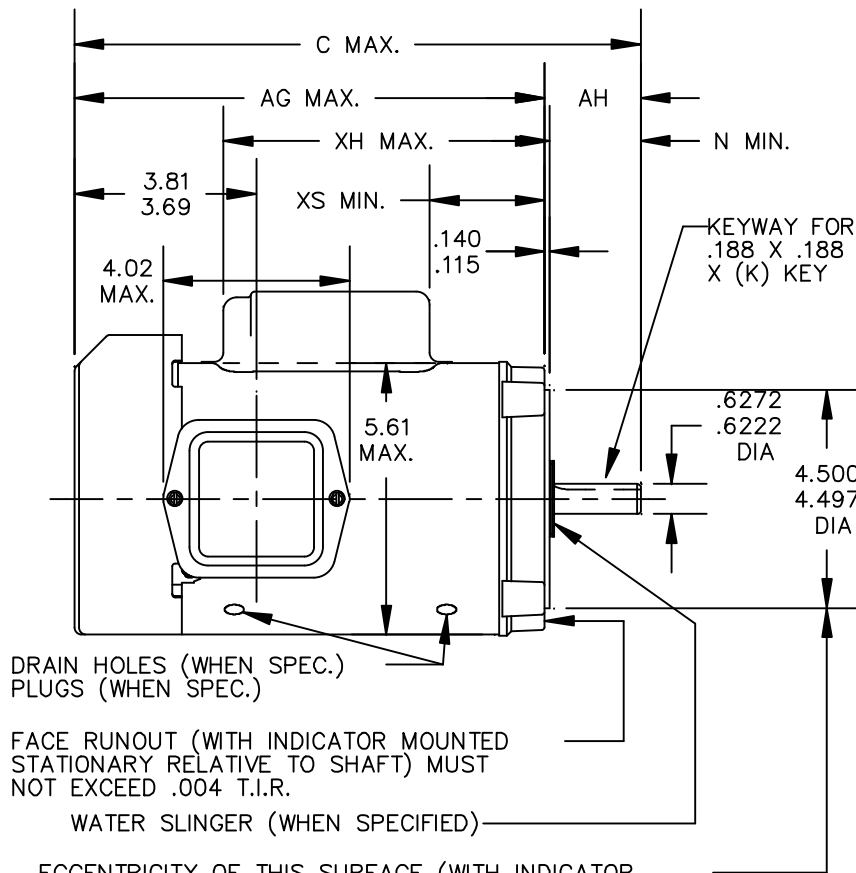
Nameplate Specifications

Output HP	0.33 Hp	Output KW	0.25 kW
Frequency	60 Hz	Voltage	115/230 V
Current	5.6,2.8 A	Speed	3450 rpm
Service Factor	1.15	Phase	1
Efficiency	57.5 %	Duty	Continuous
Insulation Class	B	KVA Code	L
Frame	56C	Enclosure	Totally Enclosed Fan Cooled
Overload Protector	N/R	Ambient Temperature	40 °C
Drive End Bearing Size	6203	Opp Drive End Bearing Size	6203
UL	Recognized	CSA	Yes
CE	N		


Technical Specifications

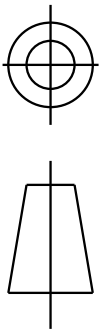
Electrical Type	Capacitor start(CSIR)	Starting Method	SM
Poles	2	Rotation	Counterclockwise/Clockwise
Mounting	Round	Motor Orientation	Any
Drive End Bearing	LOCKED	Opp Drive End Bearing	BALL
Frame Material	Rolled Steel	Overall Length	10.55 in
Frame Length	5.41 in	Shaft Diameter	0.630 in
Shaft Extension	1.88 in		
Outline Drawing	52A102402P2	Connection Diagram	52A105381BA

This is an uncontrolled document once printed or downloaded and is subject to change without notice. Date Created: 06/29/2018



10	KC	32	56C	10.30	8.22	5.94	1.56	1.60	4.34	2.12/2.00	1.88	1.38
9	KC	38	56C	12.36	10.20	7.02	2.03	1.60	4.34	2.12/2.00	1.88	1.38
8	KC	35	56C	10.93	8.85	6.20	1.77	2.22	4.96	2.12/2.00	1.88	1.38
7	KC	37	56C	12.26	9.68	7.02	1.43	1.60	4.34	2.62/2.50	2.38	1.38
6	KC	33	56C	10.55	8.47	5.81	1.43	2.22	4.96	2.12/2.00	1.88	1.38
5	KC	37	56C	11.76	9.68	7.02	1.43	1.60	4.34	2.12/2.00	1.88	1.38
4	KC	36	56C	11.36	9.23	6.62	1.43	1.60	4.34	2.12/2.00	1.88	1.38
3	KC	35	56C	10.93	8.85	6.19	1.81	1.60	4.34	2.12/2.00	1.88	1.38
2	KC	33	56C	10.55	8.47	5.81	1.43	1.60	4.34	2.12/2.00	1.88	1.38
1	KC	32	56C	10.30	8.22	5.56	1.18	1.60	4.34	2.12/2.00	1.88	1.38
P	TYPE	RBC SIZE	NEMA FR	C	AG	XH	XS	XR	YR	AH	N	K

				TOLERANCES UNLESS SPECIFIED					DRAWN B.A.C 08/30/77			
				DEC.	INCHES		REGAL-BELOIT CORPORATION					CHK
15	RE DRAWN IN DRAFTSIGHT -NO CHANGES	GR 09/08/12	PKG	.X	±0.1		 REGAL-BELOIT CORPORATION TITLE OUTLINE TOTALLY ENCLOSED - OUTBOARD FAN - R2 END MOUNT					APPD B.L.J 05/04/93
14	CHG TO RBC FOMAT AS PER IS05-1777	GOV 01/02/06	.XX	±0.02		SCALE 1=1						
13	REVISED LOCATION OF "XH" DIM.	M.D.P12/14/98	.XXX	±0.005		REF						
12	ADDED PT#10	B.L.J 06/25/93	.XXXX	±0.0005		FMF						
NO.	REVISION	BY & DATE	CHK	ANG	±1.0		FINISH	PREV				
THIS DRAWING IN DESIGN AND DETAIL IS OUR PROPERTY AND MUST NOT BE USED EXCEPT IN CONNECTION WITH OUR WORK ALL RIGHTS OF DESIGN AND INVENTION ARE RESERVED THIS IS AN ELECTRONICALLY GENERATED DOCUMENT - DO NOT SCALE THIS PRINT				RFP	CAD FILE 52A102402			SIZE A	DRAWING NO. 52A102402	REV. 15		
				DIST								



REV.
3

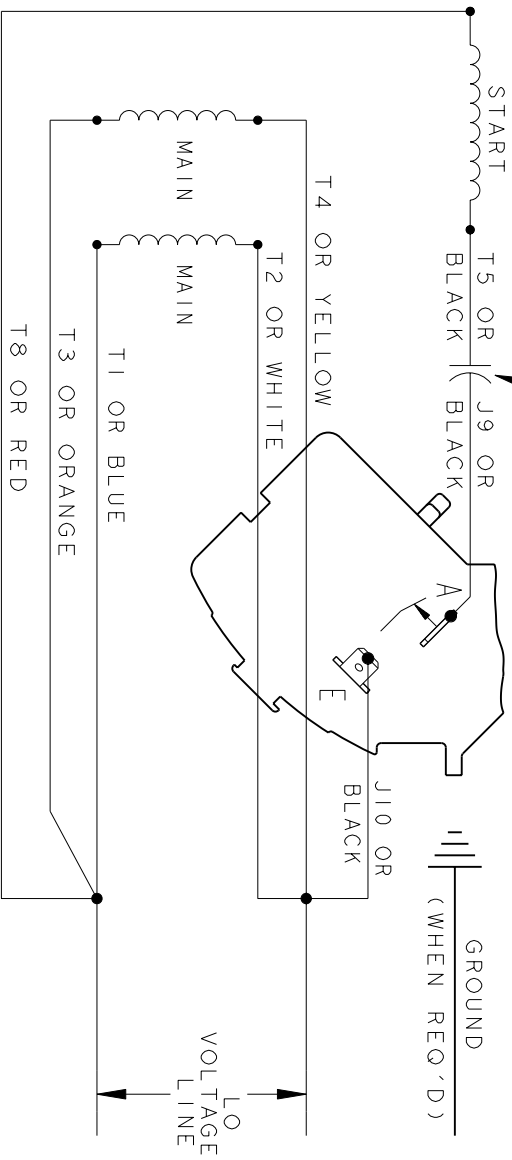
DESCRIPTION
UPDATED FORMAT

DATE
01/04/06

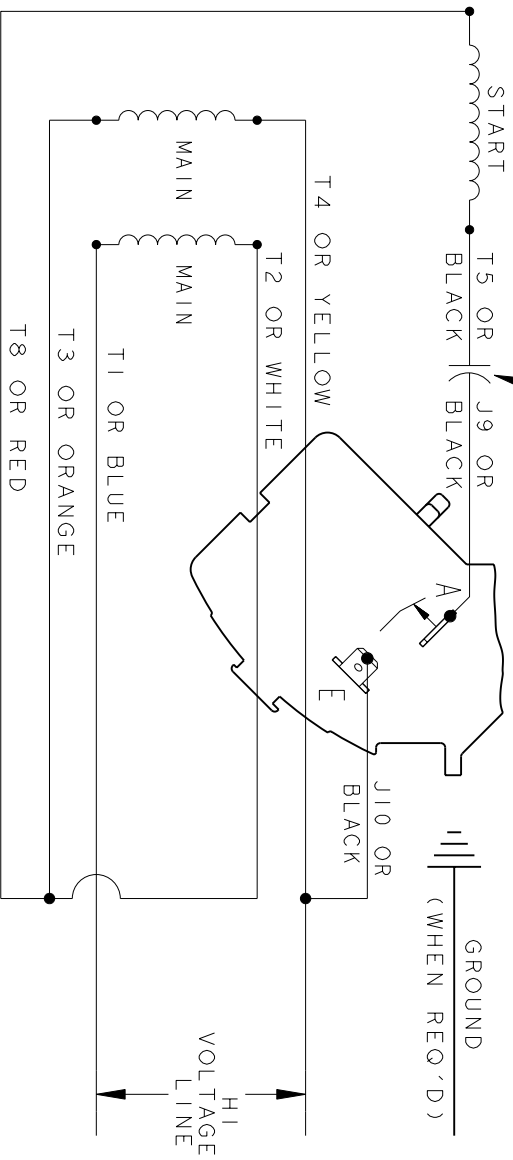
APPROVED
MAM

CCW/CW ROTATION - DUAL VOLTAGE
TYPE KC OR KH

CAPACITOR AS SHOWN FOR KC MOTORS ONLY. LEAD T5 BLACK CONNECTED DIRECTLY TO TERMINAL BOARD FOR KH MOTORS.



CAPACITOR AS SHOWN FOR KC MOTORS ONLY. LEAD T5 BLACK CONNECTED DIRECTLY TO TERMINAL BOARD FOR KH MOTORS.



NOTE#1 - TO REVERSE ROTATION, INTERCHANGE T8 RED AND J10 BLACK LEADS.
NOTE#2 - WHEN MORE THAN ONE CAPACITOR IS USED, CONNECT IN PARALLEL.

SWITCH (H) - 115D958AA

REF. DIAG. - 113A326

CONNECTION LABEL - 52X332917

SIGNATURES		DATE
MODEL	M.D. PAPER	06/29/87
DETAIL		
CHECKED		
ENGRG		
MFG		
QUALITY		
ISSUED	M.D.P.	06/29/87
FOR ADDITIONAL INFO REFER TO:		
APPLIED PRACTICES		
DIMENSIONS ARE IN INCHES		
MATERIAL	SOLID MODEL: 52A105381BA	



REGAL-BELOIT CORPORATION

TITLE
CONNECTION DIAGRAM

FME: 30 FRAME SWITCH REDESIGN

52A105381BA

REV
3

SCALE: 1.000 REF. No: .

SHEET 1 of 1