

PRODUCT INFORMATION PACKET

marathon[®]
Motors

Model No: 215TTDC6001
Catalog No: U766
15,3600,215T,DP,3/60/230/460
Open Drip Proof (ODP)



Regal and Marathon are trademarks of Regal Beloit Corporation or one of its affiliated companies.
©2018 Regal Beloit Corporation, All Rights Reserved. MC017097E

REGAL[®]



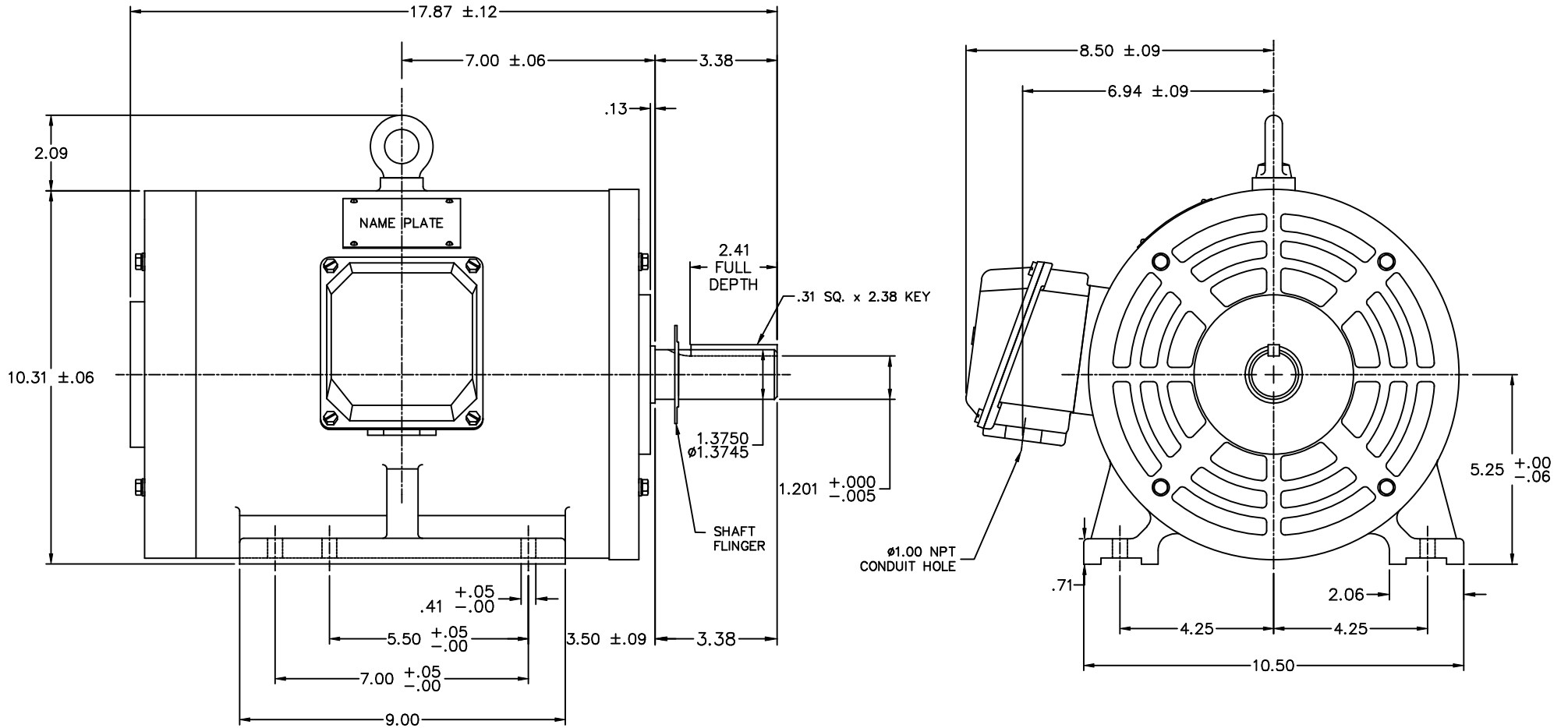
Nameplate Specifications

Output HP	15 Hp	Output KW	11.2 kW
Frequency	60 Hz	Voltage	208-230/460 V
Current	38.0-34.5/17.3 A	Speed	3510 rpm
Service Factor	1.15	Phase	3
Efficiency	91 %	Duty	Continuous
Insulation Class	F	Design Code	B
KVA Code	H	Frame	215T
Enclosure	Drip Proof	Overload Protector	No
Ambient Temperature	40 °C	Drive End Bearing Size	6308
Opp Drive End Bearing Size	6208	UL	Recognized
CSA	Y	CE	Y
IP Code	22		

Technical Specifications

Electrical Type	Squirrel Cage Induction Run	Starting Method	Across The Line
Poles	2	Rotation	Reversible
Mounting	Rigid base	Motor Orientation	Horizontal
Drive End Bearing	Ball	Opp Drive End Bearing	Ball
Frame Material	Cast Iron	Shaft Type	T
Overall Length	17.87 in	Shaft Diameter	1.375 in
Shaft Extension	3.38 in	Assembly/Box Mounting	F1 Only
Outline Drawing	16955060ME	Connection Diagram	005010-01ME

This is an uncontrolled document once printed or downloaded and is subject to change without notice. Date Created: 06/29/2018



		TOLERANCES UNLESS SPECIFIED		MARATHON ELECTRIC		DRAWN CTO 04-23-2002			
		DEC.	INCHES			CHK	ML 05-20-2002		
		.X	±.1			APPD	SB 05-21-2002		
		.XX	±.03	TITLE		SCALE 1=1			
		.XXX	±.005	ODP, RIGID MOUNT, NEW CON-BOX		REF 169515			
1 NEW DRAWING		CTO	04/23/02	MATERIAL		FMF			
NO.	REVISION	BY & DATE	CHK	ANG	FINISH	PREV			
THIS DRAWING IN DESIGN AND DETAIL IS OUR PROPERTY AND MUST NOT BE USED EXCEPT IN CONNECTION WITH OUR WORK ALL RIGHTS OF DESIGN AND INVENTION ARE RESERVED THIS IS AN ELECTRONICALLY GENERATED DOCUMENT - DO NOT SCALE THIS PRINT				RFP	CAD FILE	16955060me	SIZE	DRAWING NO.	REV.
				DIST	B	169550-60ME	1		

VIEW FROM OUTSIDE OF MOTOR AT SWITCH END.



VOLTAGE	L1	L2	L3	JOIN & INSULATE
HIGH	T1	T2	T3	(T4,T7) (T5,T8) (T6,T9)
LOW	T1,T7	T2,T8	T3,T9	T4,T5,T6

		TOLERANCES UNLESS SPECIFIED		MARATHON ELECTRIC		DRAWN RDW 04/12/02	
		DEC.	INCHES			CHK	
		.X	±.1			APPD	
		.XX	±.01	TITLE		SCALE 1=1	
		.XXX	±.005	EXTERNAL WIRING DIAGRAM 3 PHASE W/O PROTECTOR		REF FIG.2-51	
		.XXXX	±.0005	MAT'L.		FMF	
				DECAL - 004014		PREV	
NO.	REVISION	BY & DATE	CHK	ANG	±1/2'	FINISH	
			RFP	04/12/02		CAD FILE	00501001ME
			DIST			SIZE	A
						DRAWING NO.	005010-01ME
						REV.	

THIS DRAWING IN DESIGN AND DETAIL IS OUR PROPERTY AND MUST NOT BE USED EXCEPT IN CONNECTION WITH OUR WORK ALL RIGHTS OF DESIGN AND INVENTION ARE RESERVED THIS IS AN ELECTRONICALLY GENERATED DOCUMENT - DO NOT SCALE THIS PRINT

** Subject to change without notice.

Data Sheet

Date: 16-06-2017
 Customer: _____
 Attention: _____
 Submitted by: FAREEDA DUDEKULA



215TTDC6001

Submittal

Data @ 460 V

Motor Load Data

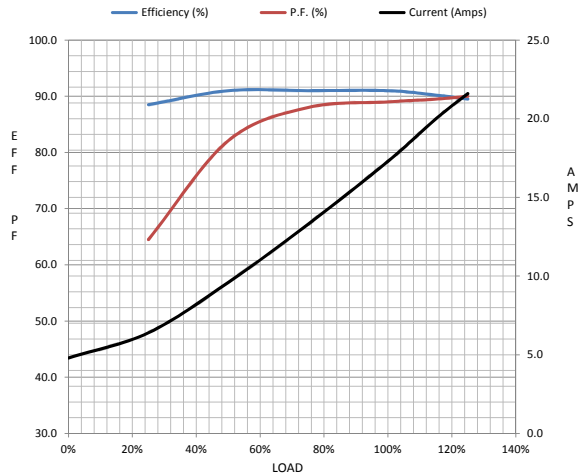
Load	0%	25%	50%	75%	100%	115%	125%	LR
Current (Amps)	4.8	6.4	9.6	13.3	17.3	20.0	21.6	116
Torque (ft-lb)	0.00	5.7	11.3	17.0	22.6	26.0	28.2	46.1
RPM	3600	3580	3560	3535	3510	3.495	3485	0
Efficiency (%)		88.5	91.0	91.0	91.0	90.2	89.5	
P.F. (%)	9.4	64.5	82.1	88.0	89.0	89.5	90.0	0.0

Motor Speed Data

	LR	Pull-Up	BD	Rated	Idle
Speed (RPM)	0	1800	2960	3510	3600
Current (Amps)	116	107	75.5	17.3	4.8
Torque (ft-lb)	46.1	39.6	70.9	22.6	0.00

Information Block

HP	15.0			
Sync. RPM	3600			
Frame	215			
Enclosure	DP			
Construction	TDC			
Voltage	3-230/460#200/4V			
Frequency	60 Hz			
Design	A			
LR Code letter	H			
Service Factor	1.15			
Temp Rise @ FL	60 ° C			
Duty	CONT			
Ambient	40 ° C			
Elevation	1,000 feet			
Rotor/Shaft wk ²	0.00 Lb-Ft ²			
Ref Wdg	T10702011 NONE			
Sound Pressure @ 1M	79 dBA			
VFD Rating	NONE			
Outline Dwg	16955060ME			
Conn. Diag	005010-01ME			
Additional Specifications:				
0				
365THFS8036				
EQUIV CKT (OHMS / PHASE)				
R1	R2	X1	X2	Xm
0.0000	0.0000	0.0000	0.0000	0.0000



Speed -Torque Curve

