

PRODUCT INFORMATION PACKET

Model No: 215THFW7726
Catalog No: Y996
10,1800,TEFC,215TC,3/60/230/460
1000:1 Speed Ratio



Regal and Marathon are trademarks of Regal Beloit Corporation or one of its affiliated companies.
©2018 Regal Beloit Corporation, All Rights Reserved. MC017097E





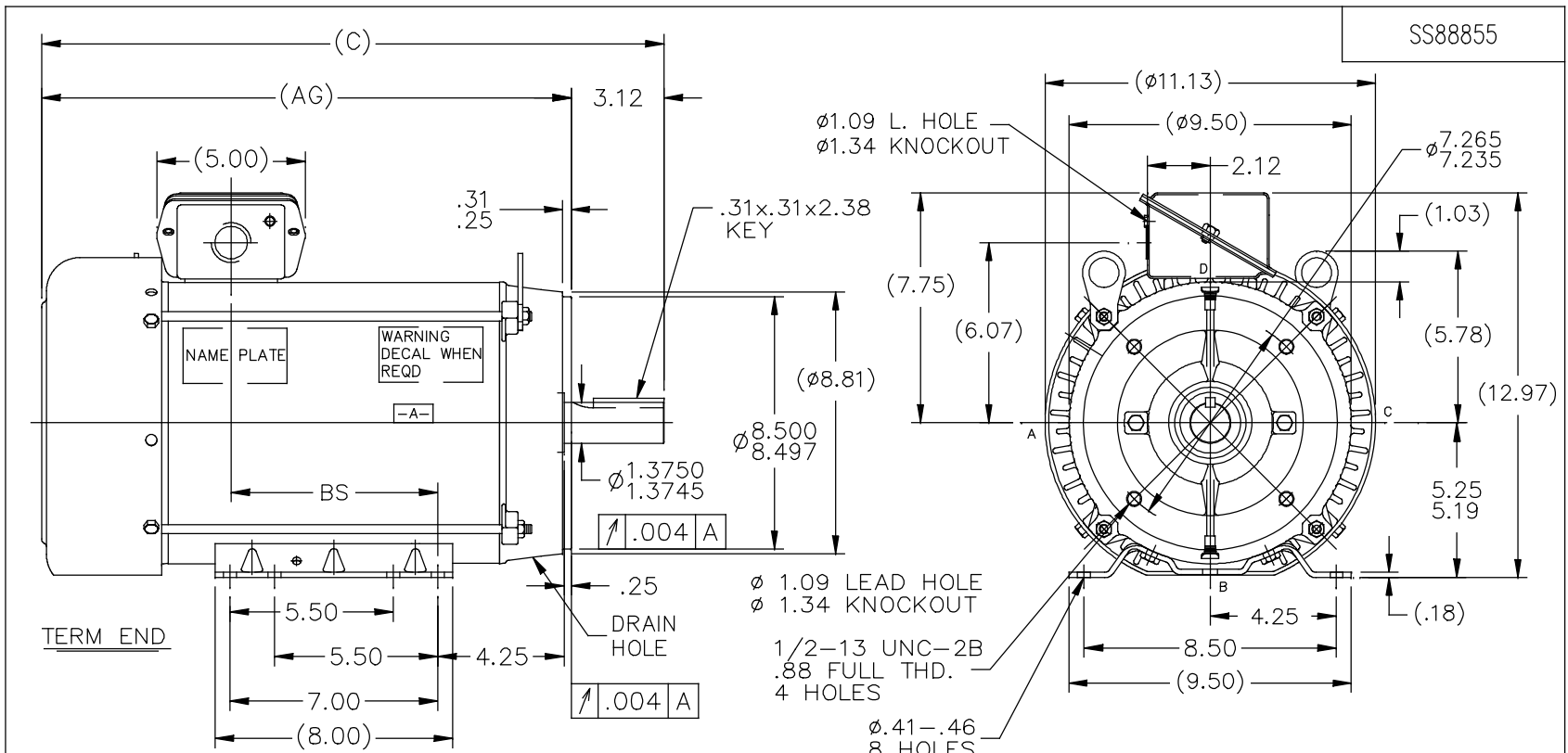
Nameplate Specifications

Output HP	10 Hp	Output KW	7.5 kW
Frequency	60 Hz	Voltage	230/460 V
Current	27.6/13.8 A	Speed	1770 rpm
Service Factor	1	Phase	3
Efficiency	91 %	Duty	Continuous
Insulation Class	H	Design Code	INV
KVA Code	K	Frame	215TC
Enclosure	Totally Enclosed Fan Cooled	Overload Protector	No
Ambient Temperature	40 °C	Drive End Bearing Size	6309
Opp Drive End Bearing Size	6206	UL	Recognized
CSA	Y	CE	Y
IP Code	43		

Technical Specifications

Electrical Type	Squirrel Cage Inverter Duty	Starting Method	Inverter Only
Poles	4	Rotation	Reversible
Mounting	Bolt-on Base	Motor Orientation	Horizontal
Drive End Bearing	Ball	Opp Drive End Bearing	Ball
Frame Material	Rolled Steel	Shaft Type	T
Overall Length	22.22 in	Frame Length	12.40 in
Shaft Diameter	1.375 in	Shaft Extension	3.12 in
Assembly/Box Mounting	F3		
Outline Drawing	A-SS88855-1240	Connection Diagram	A-EE7308

This is an uncontrolled document once printed or downloaded and is subject to change without notice. Date Created: 06/29/2018



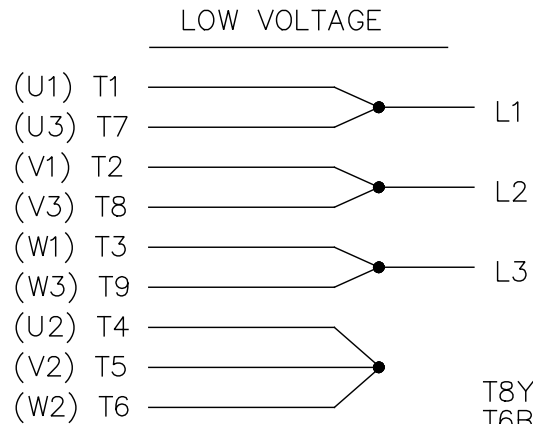
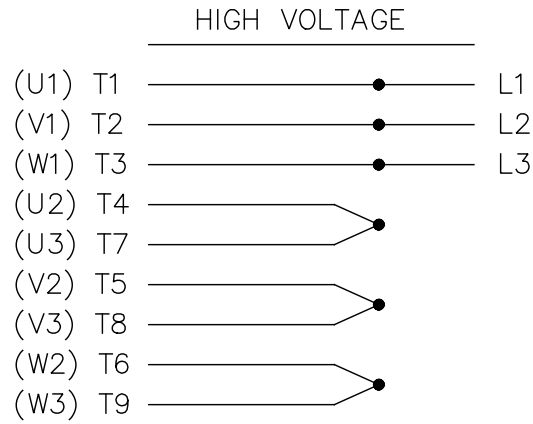
- NOTES:
1. NAMEPLATE LOC. BETWEEN C & D READ FROM LOC. C
 2. BOX CAN BE MOUNTED IN 90° STEPS.
 3. BOX CAN BE MOUNTED ON OPPOSITE SIDE BY REMOVING BRACKETS AND TURNING FRAME 180° (EXCEPT AS NOTED.)
 4. BASE IS REMOVABLE.
 5. PROVISIONS ONLY FOR DRIP COVER.

DASH	FR.	C	AG	BS	MOUNTING
965	213T	19.47	16.35	5.43	
1115	213/15T	20.97	17.85	6.93	
1240	213/15T	22.22	19.10	8.18	F1 ONLY

		TOLERANCES UNLESS SPECIFIED		REGAL™ Regal Beloit America, Inc.		DRAWN NJS 04-25-2003					
		DEC.	INCHES			CHK DRS 04-25-2003					
		X	±.1			APPD TB 04-25-2003					
		.XX	±.03	TITLE OUTLINE - TEFC		SCALE 1=5					
2	ADDED WARNING DECAL	MVG	12/19/17	GR	.XXX	±.005	210T FR. - BB - TS - R/S - C'FACE	REF			
1	NEW DRAWING	NJS	04-25-2003	TB	.XXXX	±.0005	MAT'L.	FMF			
NO.	REVISION	BY & DATE	CHK	ANG	±7'30"		FINISH	PREV			
THIS DRAWING IN DESIGN AND DETAIL IS OUR PROPERTY AND MUST NOT BE USED EXCEPT IN CONNECTION WITH OUR WORK ALL RIGHTS OF DESIGN AND INVENTION ARE RESERVED THIS IS AN ELECTRONICALLY GENERATED DOCUMENT - DO NOT SCALE THIS PRINT				RFP	CAD FILE ss88855		SIZE	DRAWING NO.	PAGE	OF	REV.
				DIST	LB	A	SS88855			2	

EE7308

THREE PHASE
DUAL VOLTAGE MOTOR



VIEW OF TERMINAL END

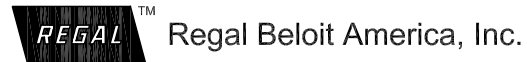
REF.
WINDING DIAGRAM

T8Y, T2Y, T2BL, T4BX, T2EC, T2G
T6BZ, T2B, T6BL, T4AV, T6B, T4B

OPTIONAL CORD
CONNECTION

L1 — WHITE
L2 — RED
L3 — BLACK

NO.	REVISION	BY & DATE	CHK	ANG	TOLERANCES UNLESS SPECIFIED		FINISH	DRAWN RM 11/20/1990				
					DEC.	INCHES						
5	CHG TO REGAL LOGO	SL 09/10/2015	AB					CHK ML 11/21/1990				
4	REVISED IEC NOTATIONS	MSG 11/15/2011	CMN	.X	±.1			APPD SAS 04/24/2003				
3	ADDED IEC NOTATIONS... (U1), (V1) ETC. MU95194	MSG 5/10/2010	MJS	.XX	±.02		TITLE CONNECTION DIAGRAM	SCALE 1=1				
2	ADDED THE OPTIONAL CORD CONNECTION MU46318	RDH 04/24/2003	DRS	.XXX	±.005		3Ø - DUAL VOLTAGE MOTOR	REF				
1	REDRAWN	RM 11/20/1990		.XXXX	±.0005		MAT'L.	FMF				
					±7'30"			PREV				
THIS DRAWING IN DESIGN AND DETAIL IS OUR PROPERTY AND MUST NOT BE USED EXCEPT IN CONNECTION WITH OUR WORK ALL RIGHTS OF DESIGN AND INVENTION ARE RESERVED THIS IS AN ELECTRONICALLY GENERATED DOCUMENT - DO NOT SCALE THIS PRINT							RFP	CAD FILE ee7308	SIZE A	DRAWING NO. EE7308	PAGE OF 5	REV. 5
							DIST WP					



CERTIFICATION DATA SHEET

Model#: 215THFW7726 AB **WINDING#:** K2154416 NONE 1
CONN. DIAGRAM: A-EE7308 **ASSEMBLY:** F3
OUTLINE: A-SS88855-1240

TYPICAL MOTOR PERFORMANCE DATA

HP	KW	SYNC. RPM	F.L. RPM	FRAME	ENCLOSURE	KVA CODE	DESIGN
10	7.5	1800	1770	215TC	TEFC	K	INV

PH	Hz	VOLTS	FL AMPS	START TYPE	DUTY	INSL	S.F	AMB°C	ELEVATION
3	60	230/460	27.6/13.8	INVERTER ONLY	CONTINUOUS	H4	1.0	40	3300

FULL LOAD EFF: 91	3/4 LOAD EFF: 91	1/2 LOAD EFF: 89.5	GTD. EFF	ELEC. TYPE	NO LOAD AMPS
FULL LOAD PF: 74	3/4 LOAD PF: 66.5	1/2 LOAD PF: 54	89.5	SQ CAGE INV DUTY	15.6 / 7.8

F.L. TORQUE	LOCKED ROTOR AMPS	L.R. TORQUE	B.D. TORQUE	F.L. RISE°C
29.7 LB-FT	208 / 104	87 LB-FT 293	110 LB-FT 370	52

SOUND PRESSURE @ 3 FT.	SOUND POWER	ROTOR WK^2	MAX. WK^2	SAFE STALL TIME	STARTS /HOUR	APPROX. MOTOR WGT
72 dBA	82 dBA	1 LB-FT^2	0 LB-FT^2	0 SEC.	0	135 LBS.

EQUIVALENT WYE CKT.PARAMETERS (OHMS PER PHASE)

R1	R2	X1	X2	XM
0.4544	0.355	1.6756	2.48784	33.37

RM	ZREF	XR	TD	TD0
2788.88	28.4	3.8	0.012	0.27

***** SUPPLEMENTAL INFORMATION *****

DE BRACKET TYPE	ODE BRACKET TYPE	MOUNT TYPE	ORIENTATION	SEVERE DUTY	HAZARDOUS LOCATION	DRIP COVER	SCREENS	PAINT
C-FACE	STANDARD	BOLT-ON	HORIZONTAL	FALSE	NONE	FALSE	NONE	BLACK (ENAMEL)

BEARINGS		GREASE	SHAFT TYPE	SPECIAL DE	SPECIAL ODE	SHAFT MATERIAL	FRAME MATERIAL
DE	OPE	POLYREX EM	T	NONE	NONE	1045 HOT ROLLED (C-204)	ROLLED STEEL
BALL	BALL						
6309	6206						

THERMO-PROTECTORS				THERMISTORS	CONTROL	SPACE /n HEATERS
THERMOSTATS	PROTECTORS	WDG RTDs	BRG RTDs	NONE	FALSE	NONE VOLTS
NONE	NOT	NONE	NONE			

If Inverter equals NONE, contact factory for further information

INVERTER TORQUE: CONSTANT 20:1
INV. HP SPEED RANGE: NONE
ENCODER: NONE
NONE NONE
NONE NONE PPR
BRAKE: NONE NONE
NONE P/N NONE

*
N
O
T
E
S
*

NONE	NONE	
- FT-LB	NONE V	NONE Hz

DATE: 06/21/2017 11:17:01 AM
FORM 3531 REV.3 02/07/99
** Subject to change without notice.

Data Sheet

Date: 19-06-2017
 Customer: _____
 Attention: _____
 Submitted by: FAREEDA DUDEKULA



215THFW7726

Submittal

Data @ 460 V

Motor Load Data

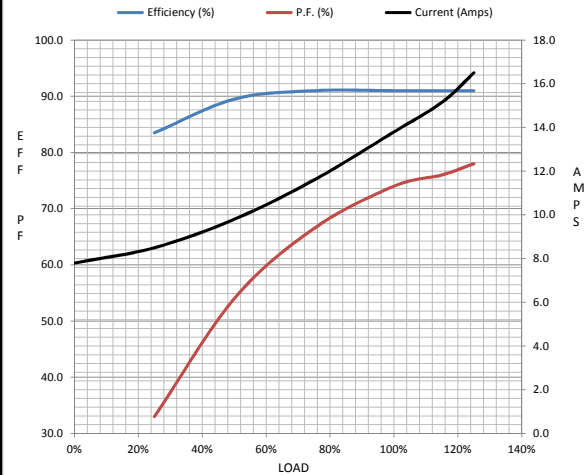
Load	0%	25%	50%	75%	100%	115%	125%	LR
Current (Amps)	7.8	8.5	9.8	11.6	13.8	15.2	16.5	104
Torque (ft-lb)	0.00	7.4	14.8	22.2	29.7	33.6	37.5	87.0
RPM	1800	1792	1785	1780	1770	1,766	1760	0
Efficiency (%)		83.5	89.5	91.0	91.0	91.0	91.0	
P.F. (%)	5.5	33.0	54.0	66.5	74.0	76.0	78.0	44.0

Motor Speed Data

	LR	Pull-Up	BD	Rated	Idle
Speed (RPM)	0	900	1600	1770	1800
Current (Amps)	104	100	57.0	13.8	7.8
Torque (ft-lb)	87.0	105	110	29.7	0.00

Information Block

HP	10.0			
Sync. RPM	1800			
Frame	215			
Enclosure	TEFC			
Construction	TFW			
Voltage	230/460 V			
Frequency	60 Hz			
Design	A			
LR Code letter	K			
Service Factor	1.0			
Temp Rise @ FL	52 ° C			
Duty	CONT			
Ambient	40 ° C			
Elevation	1,000 feet			
Rotor/Shaft wk ²	1.00 Lb-Ft ²			
Ref Wdg	K2154416 NONE			
Sound Pressure @ 1M	72 dBA			
VFD Rating	CONSTANT 20:1			
Outline Dwg	A-SS88955-1240			
Conn. Diag	A-EE7308			
Additional Specifications:				
0				
365THFS8036				
EQUIV CKT (OHMS / PHASE)				
R1	R2	X1	X2	Xm
0.4540	0.3550	1.6760	2.4880	33.3700



Speed -Torque Curve

