

PRODUCT INFORMATION PACKET

Model No: 184TBFW7701
Catalog No: I223A
5,3530,TEFC,184T,1/60/208-230
Totally Enclosed Fan Cooled (TEFC)



Regal and Marathon are trademarks of Regal Beloit Corporation or one of its affiliated companies.
©2018 Regal Beloit Corporation, All Rights Reserved. MC017097E



Nameplate Specifications

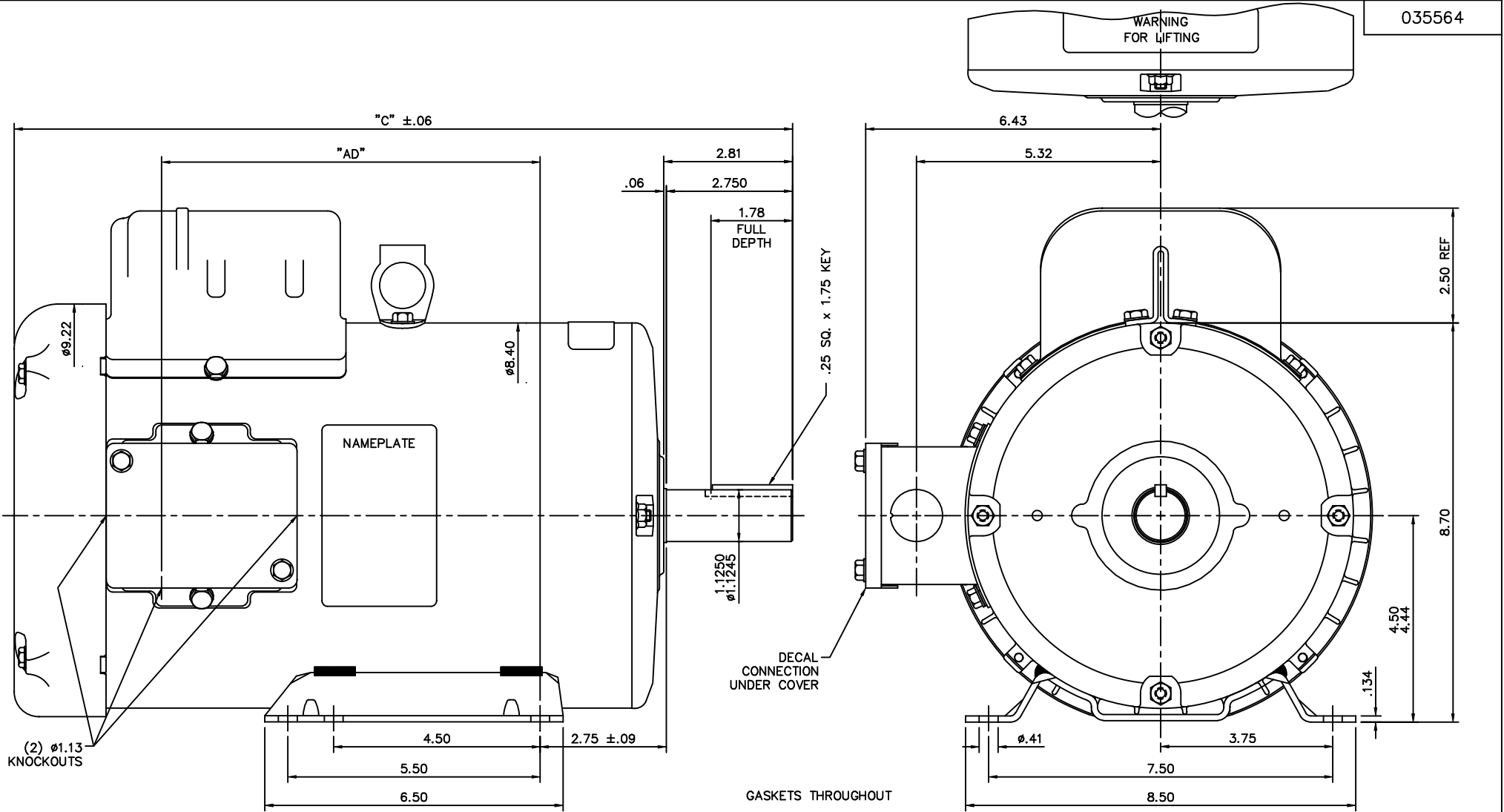
Output HP	5 Hp	Output KW	3.7 kW
Frequency	60 Hz	Voltage	208-230 V
Current	22.5-19.8 A	Speed	3530 rpm
Service Factor	1	Phase	1
Efficiency	82.5 %	Duty	Continuous
Insulation Class	F	Design Code	L
KVA Code	H	Frame	184T
Enclosure	Totally Enclosed Fan Cooled	Overload Protector	No
Ambient Temperature	40 °C	Drive End Bearing Size	6206
Opp Drive End Bearing Size	6205	UL	Recognized
CSA	Y	CE	Y
IP Code	43		

Technical Specifications

Electrical Type	Capacitor Start Capacitor Run	Starting Method	Across The Line
Poles	2	Rotation	Selective Counterclockwise
Mounting	Rigid base	Motor Orientation	Horizontal
Drive End Bearing	Ball	Opp Drive End Bearing	Ball
Frame Material	Rolled Steel	Shaft Type	T
Overall Length	16.46 in	Frame Length	11.50 in
Shaft Diameter	1.125 in	Shaft Extension	2.81 in
Assembly/Box Mounting	F1 Only		
Outline Drawing	035564-1150	Connection Diagram	005018.01ME

This is an uncontrolled document once printed or downloaded and is subject to change without notice. Date Created: 06/29/2018

035564



(2) Ø1.13
KNOCKOUTS

DASH NO.	"C"	"AD"
850	13.96	5.25
900	14.46	5.75
950	14.96	6.25
1000	15.46	6.75
1050	15.96	7.25
1150	16.46	7.75
1150	16.96	8.25
1200	17.46	8.75

NO.	REVISION	BY & DATE
01	DRAWING REDRAWN WITH NEW STANDARD C'BOX	KVN 4/8/2008

TOLERANCES UNLESS SPECIFIED	
DEC.	INCHES
.X	±.1
.XX	±.03
.XXX	±.005
.XXXX	±.0005
CHK	ANG ±1/2"
RFP	
DIST	

MARATHON ELECTRIC

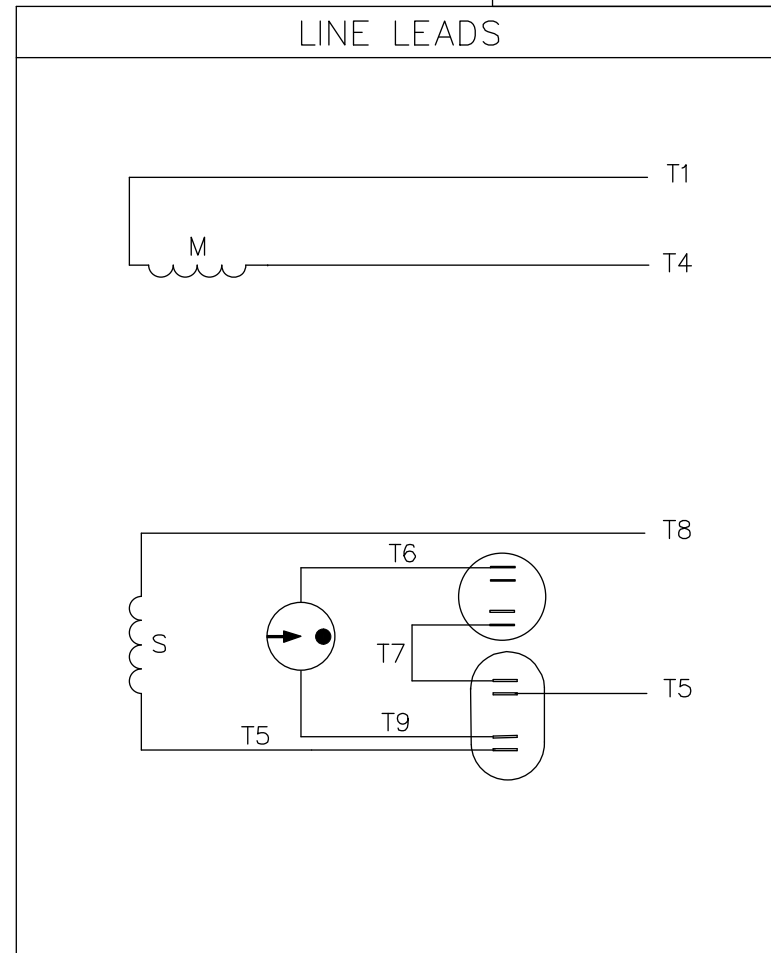
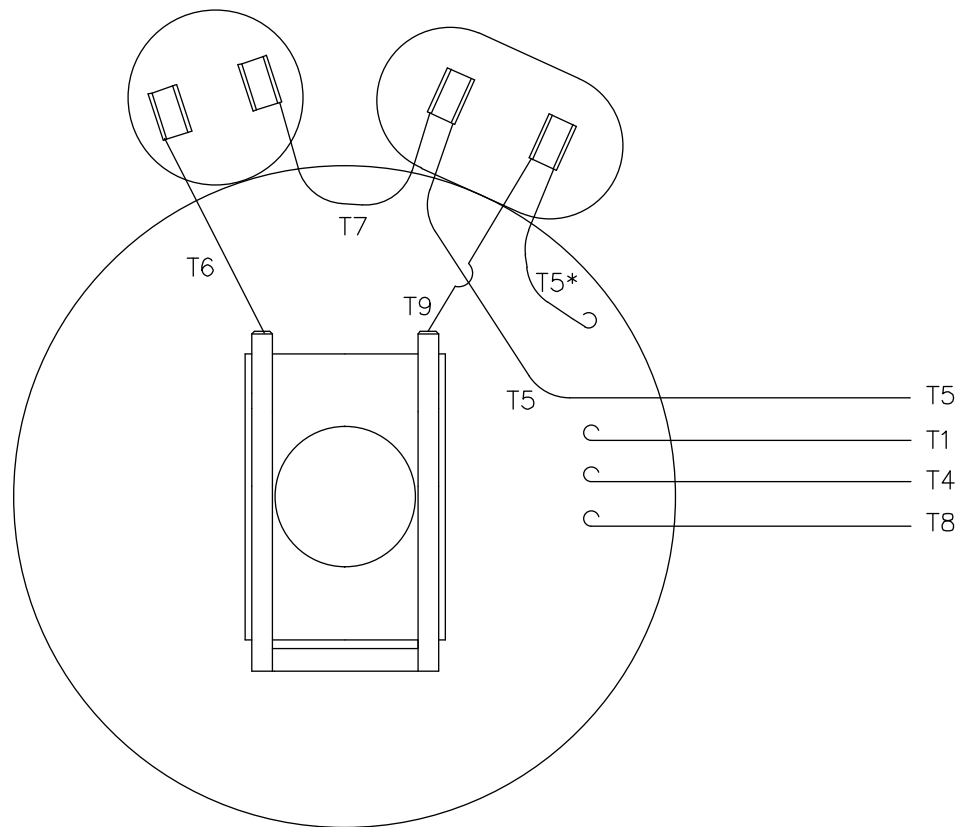
TITLE: OUTLINE- 180T FRAME
TEFC- RIGID

CAD FILE: 035564

DRAWN KVN 09/10/2007	
CHK	RDW
SCALE 1=2	REF 03549000
FMF 184TBFW7701	PREV
SIZE B	DRAWING NO. 035564
REV. 01	

THIS DRAWING IN DESIGN AND DETAIL IS OUR PROPERTY AND MUST NOT BE USED EXCEPT IN CONNECTION WITH OUR WORK ALL RIGHTS OF DESIGN AND INVENTION ARE RESERVED THIS IS AN ELECTRONICALLY GENERATED DOCUMENT - DO NOT SCALE THIS PRINT

VIEW FROM OUTSIDE OF MOTOR AT SWITCH END.



ROTATION FACING LEAD END	L1	L2
C.C.W.	T1,T8	T4,T5
C.W.	T1,T5	T4,T8

* THIS LEAD MAY BE WHITE

		TOLERANCES UNLESS SPECIFIED		MARATHON ELECTRIC	DRAWN RDW 6/5/03	
		DEC.	INCHES			CHK
		.X	±.1	TITLE EXTERNAL WIRING DIAGRAM TYPE "K" W/O PROTECTOR	APPD	
		.XX	±.01		SCALE 1=1	
		.XXX	±.005		REF 005018	
		.XXXX	±.0005		FMF 139047	
NO.	REVISION	BY & DATE	CHK ANG ±1/2'		FINISH	PREV
THIS DRAWING IN DESIGN AND DETAIL IS OUR PROPERTY AND MUST NOT BE USED EXCEPT IN CONNECTION WITH OUR WORK ALL RIGHTS OF DESIGN AND INVENTION ARE RESERVED THIS IS AN ELECTRONICALLY GENERATED DOCUMENT - DO NOT SCALE THIS PRINT		RFP	6/5/03	CAD FILE 00501801ME	SIZE A	DRAWING NO. 005018-01ME
		DIST				REV.

CERTIFICATION DATA SHEET

Model#: 184TBFW7701 AA WINDING#: K8225 R1 2
 CONN. DIAGRAM: 005018.01ME ASSEMBLY: F1 ONLY
 OUTLINE: 035564-1150

TYPICAL MOTOR PERFORMANCE DATA

HP	KW	SYNC. RPM	F.L. RPM	FRAME	ENCLOSURE	KVA CODE	DESIGN
5	3.7	3600	3530	184T	TEFC	H	L

PH	Hz	VOLTS	FL AMPS	START TYPE	DUTY	INSL	S.F	AMB°C	ELEVATION
1	60	208-230	22.5-19.8	ACROSS THE LINE	CONTINUOUS	F4	1.0	40	3300

FULL LOAD EFF: 82.5	3/4 LOAD EFF: 82.2	1/2 LOAD EFF: 77.5	GTD. EFF	ELEC. TYPE	NO LOAD AMPS
FULL LOAD PF: 98	3/4 LOAD PF: 98.1	1/2 LOAD PF: 97.4	-	CAP START CAP RUN	2.9

F.L. TORQUE	LOCKED ROTOR AMPS	L.R. TORQUE	B.D. TORQUE	F.L. RISE°C
7.45 LB-FT	153	16.2 LB-FT 217	19.4 LB-FT 260	65

SOUND PRESSURE @ 3 FT.	SOUND POWER	ROTOR WK^2	MAX. WK^2	SAFE STALL TIME	STARTS /HOUR	APPROX. MOTOR WGT
- dBA	- dBA	0.485 LB-FT^2	0.5 LB-FT^2	- SEC.	-	0 LBS.

***** SUPPLEMENTAL INFORMATION *****

DE BRACKET TYPE	ODE BRACKET TYPE	MOUNT TYPE	ORIENTATION	SEVERE DUTY	HAZARDOUS LOCATION	DRIP COVER	SCREENS	PAINT
STANDARD	STANDARD	RIGID	HORIZONTAL	FALSE	NONE	FALSE	NONE	BLUE (ENAMEL)

BEARINGS		GREASE	SHAFT TYPE	SPECIAL DE	SPECIAL ODE	SHAFT MATERIAL	FRAME MATERIAL
DE	OPE						
BALL	BALL	POLYREX EM	T	NONE	NONE	AISI 1045 (C-240)	ROLLED STEEL
6206	6205						

THERMO-PROTECTORS				THERMISTORS	CONTROL	SPACE /n HEATERS
THERMOSTATS	PROTECTORS	WDG RTDs	BRG RTDs			
NONE	NOT	NONE	NONE	NONE	FALSE	NONE VOLTS

If Inverter equals NONE, contact factory for further information

*
N
O
T
E
S
*

INVERTER TORQUE: NONE
INV. HP SPEED RANGE: NONE
ENCODER: NONE
NONE NONE
NONE NONE PPR
BRAKE: NONE NONE
NONE P/N NONE
NONE NONE
NONE FT-LB NONE V NONE Hz

DATE: 06/28/2017 06:14:27 AM
 FORM 3531 REV.3 02/07/99

** Subject to change without notice.