

PRODUCT INFORMATION PACKET

Model No: 145THFR5329
Catalog No: Y368
2,1800,TEFC,145TC,3/60/230/460
1000:1 Speed Ratio



Regal and Marathon are trademarks of Regal Beloit Corporation or one of its affiliated companies.
©2018 Regal Beloit Corporation, All Rights Reserved. MC017097E





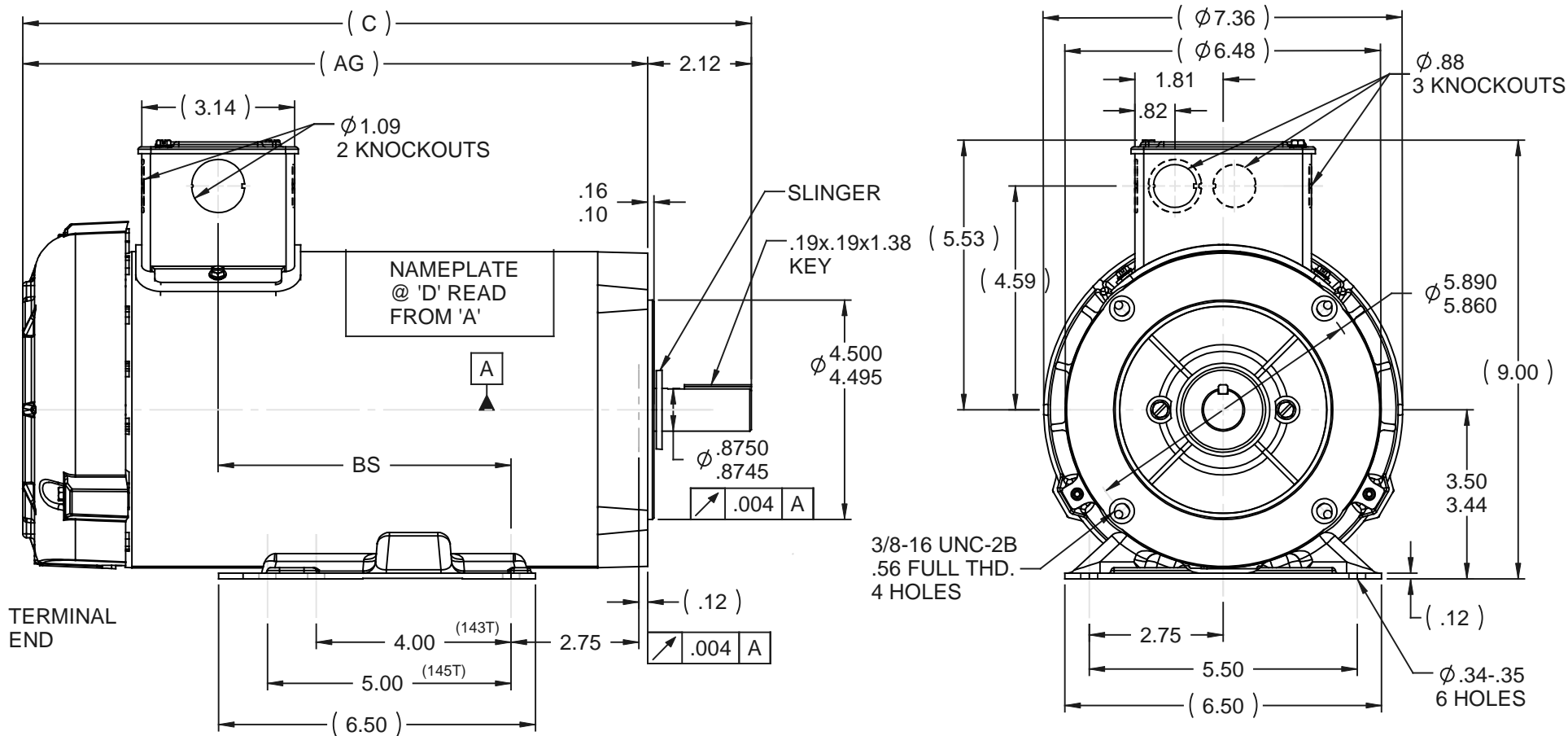
Nameplate Specifications

Output HP	2 Hp	Output KW	1.5 kW
Frequency	60 Hz	Voltage	230/460 V
Current	5.8/2.9 A	Speed	1740 rpm
Service Factor	1	Phase	3
Efficiency	82.5 %	Duty	Continuous
Insulation Class	H	Design Code	INV
KVA Code	L	Frame	145TC
Enclosure	Totally Enclosed Fan Cooled	Overload Protector	No
Ambient Temperature	40 °C	Drive End Bearing Size	6205
Opp Drive End Bearing Size	6203	UL	Recognized
CSA	Y	CE	Y
IP Code	43		

Technical Specifications

Electrical Type	Squirrel Cage Inverter Duty	Starting Method	Inverter Only
Poles	4	Rotation	Reversible
Mounting	Bolt-on Base	Motor Orientation	Horizontal
Drive End Bearing	Ball	Opp Drive End Bearing	Ball
Frame Material	Rolled Steel	Shaft Type	T
Overall Length	14.95 in	Frame Length	9.56 in
Shaft Diameter	0.875 in	Shaft Extension	2.12 in
Assembly/Box Mounting	F3		
Outline Drawing	A-104962-956	Connection Diagram	A-EE7308

This is an uncontrolled document once printed or downloaded and is subject to change without notice. Date Created: 06/29/2018



DASH	FRAME	C	AG	BS	DASH	FRAME	C	AG	BS
706	140T	12.45	10.33	3.51	856	140T	13.95	11.83	5.01
756	140T	12.95	10.83	4.01	906	140T	14.45	12.33	5.51
806	140T	13.45	11.33	4.51	956	140T	14.95	12.83	6.01

NOTE:
 1- CONDUIT BOX CAN BE ROTATED IN 180° STEPS
 2- REMOVABLE BASE

		TOLERANCES UNLESS SPECIFIED		MARATHON ELECTRIC		DRAWN DRS 05-17-2001	
		DEC	INCHES			CHK	ML 06-04-2001
		.X	±.1			APPR	SAS 06-05-2001
3	REDRAWN ON SOLIDWORKS	DRS	.XX	±.03	TITLE	OUTLINE	SCALE 5:16
2	REDRAWN ON AUTOCAD	TAT 07-06-2004	ML	.XXX	±.005	140T FR. - TEFC - C'FACE	REF
1	NEW DRAWING MU37411	DRS 06-05-2001		.XXXX	±.0005	MAT'L	FMF
NO	REVISION	BY & DATE	CHK	ANG	±7'30"	FINISH	PREV
THIS DRAWING IN DESIGN AND DETAIL IS OUR PROPERTY AND MUST NOT BE USED EXCEPT IN CONNECTION WITH OUR WORK. ALL RIGHTS OF DESIGN AND INVENTION ARE RESERVED. THIS IS AN ELECTRONICALLY GENERATED DOCUMENT - DO NOT SCALE THIS PRINT						RFP	CAD FILE 104962
						DIST	WP
						SIZE	DRAWING NO
						A	104962
							REV
							3

EE7308

THREE PHASE
DUAL VOLTAGE MOTOR



VIEW OF TERMINAL END

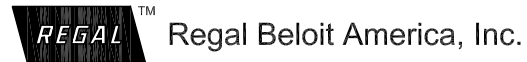
REF.
WINDING DIAGRAM

T8Y, T2Y, T2BL, T4BX, T2EC, T2G
T6BZ, T2B, T6BL, T4AV, T6B, T4B

OPTIONAL CORD
CONNECTION

L1 — WHITE
L2 — RED
L3 — BLACK

NO.	REVISION	BY & DATE	CHK	ANG	TOLERANCES UNLESS SPECIFIED		FINISH	DRAWN RM 11/20/1990				
					DEC.	INCHES						
5	CHG TO REGAL LOGO	SL 09/10/2015	AB					CHK ML 11/21/1990				
4	REVISED IEC NOTATIONS	MSG 11/15/2011	CMN	.X	±.1			APPD SAS 04/24/2003				
3	ADDED IEC NOTATIONS... (U1), (V1) ETC. MU95194	MSG 5/10/2010	MJS	.XX	±.02		TITLE CONNECTION DIAGRAM	SCALE 1=1				
2	ADDED THE OPTIONAL CORD CONNECTION MU46318	RDH 04/24/2003	DRS	.XXX	±.005		3Ø - DUAL VOLTAGE MOTOR	REF				
1	REDRAWN	RM 11/20/1990		.XXXX	±.0005		MAT'L.	FMF				
					±7'30"			PREV				
THIS DRAWING IN DESIGN AND DETAIL IS OUR PROPERTY AND MUST NOT BE USED EXCEPT IN CONNECTION WITH OUR WORK ALL RIGHTS OF DESIGN AND INVENTION ARE RESERVED THIS IS AN ELECTRONICALLY GENERATED DOCUMENT - DO NOT SCALE THIS PRINT							RFP	CAD FILE ee7308	SIZE A	DRAWING NO. EE7308	PAGE OF 5	REV. 5
							DIST WP					



CERTIFICATION DATA SHEET

Model#: 145THFR5329 AA WINDING#: ZT4118 R9 1
 CONN. DIAGRAM: A-EE7308 ASSEMBLY: F3
 OUTLINE: A-104962-956

TYPICAL MOTOR PERFORMANCE DATA

HP	KW	SYNC. RPM	F.L. RPM	FRAME	ENCLOSURE	KVA CODE	DESIGN
2	1.49	1800	1740	145TC	TEFC	L	INV

PH	Hz	VOLTS	FL AMPS	START TYPE	DUTY	INSL	S.F	AMB°C	ELEVATION
3	60	230/460	5.8/2.9	INVERTER ONLY	CONTINUOUS	H1	1.0	40	3300

FULL LOAD EFF: 82.5	3/4 LOAD EFF: 82.5	1/2 LOAD EFF: 81.5	GTD. EFF	ELEC. TYPE	NO LOAD AMPS
FULL LOAD PF: 77	3/4 LOAD PF: 69	1/2 LOAD PF: 56	80	SQ CAGE INV DUTY	3.2 / 1.6

F.L. TORQUE	LOCKED ROTOR AMPS	L.R. TORQUE	B.D. TORQUE	F.L. RISE°C
6 LB-FT	56 / 28	23 LB-FT 383	29 LB-FT 483	60

SOUND PRESSURE @ 3 FT.	SOUND POWER	ROTOR WK^2	MAX. WK^2	SAFE STALL TIME	STARTS /HOUR	APPROX. MOTOR WGT
62 dBA	72 dBA	0.14 LB-FT^2	0 LB-FT^2	0 SEC.	0	45 LBS.

EQUIVALENT WYE CKT.PARAMETERS (OHMS PER PHASE)

R1	R2	X1	X2	XM
4.2458	3.337	6.0066	5.8788	161.88
RM	ZREF	XR	TD	TD0
6659.8	142	1.5	0.0055	0.135

*** SUPPLEMENTAL INFORMATION ***

DE BRACKET TYPE	ODE BRACKET TYPE	MOUNT TYPE	ORIENTATION	SEVERE DUTY	HAZARDOUS LOCATION	DRIP COVER	SCREENS	PAINT
C-FACE	STANDARD	BOLT-ON	HORIZONTAL	FALSE	NONE	FALSE	NONE	BLACK (POWDER)

BEARINGS		GREASE	SHAFT TYPE	SPECIAL DE	SPECIAL ODE	SHAFT MATERIAL	FRAME MATERIAL
DE	OPE						
BALL	BALL	POLYREX EM	T	NONE	NONE	1144 STRESSPROOF (C-223)	ROLLED STEEL
6205	6203						

THERMO-PROTECTORS				THERMISTORS	CONTROL	SPACE /n HEATERS
THERMOSTATS	PROTECTORS	WDG RTDs	BRG RTDs			
NONE	NOT	NONE	NONE	NONE	FALSE	NONE VOLTS

If Inverter equals NONE, contact factory for further information

INVERTER TORQUE: CONSTANT 20:1
INV. HP SPEED RANGE: 2.0 X BASE SPEED
ENCODER: NONE
NONE NONE
NONE NONE PPR
BRAKE: PROVISIONS FOR KIT NONE

*
N
O
T
E
S
*

NONE	P/N	NONE	
NONE	NONE		
NONE FT-LB	NONE V	NONE Hz	

DATE: 06/23/2017 01:50:48 AM
FORM 3531 REV.3 02/07/99
** Subject to change without notice.

Data Sheet

Date: 19-06-2017
 Customer: _____
 Attention: _____
 Submitted by: FAREEDA DUDEKULA



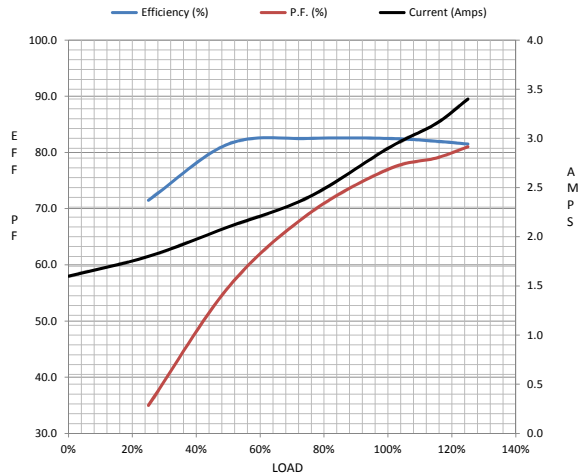
145THFR5329

Submittal

Data @ 460 V

Motor Load Data									
Load	0%	25%	50%	75%	100%	115%	125%	LR	
Current (Amps)	1.60	1.80	2.10	2.40	2.90	3.2	3.4	28.0	
Torque (ft-lb)	0.00	1.50	3.0	4.5	6.0	6.8	7.5	23.0	
RPM	1800	1785	1774	1760	1740	1,734	1725	0	
Efficiency (%)		71.5	81.5	82.5	82.5	82.0	81.5		
P.F. (%)	9.0	35.0	56.0	69.0	77.0	79.0	81.0	68.0	

Motor Speed Data						Information Block	
	LR	Pull-Up	BD	Rated	Idle		
Speed (RPM)	0	500	1180	1740	1800	HP	2.0
Current (Amps)	28.0	24.0	17.0	2.90	1.60	Sync. RPM	1800
Torque (ft-lb)	23.0	19.0	29.0	6.0	0.00	Frame	145



Enclosure	TEFC			
Construction	TFR			
Voltage	230/460 V			
Frequency	60 Hz			
Design	A			
LR Code letter	L			
Service Factor	1.0			
Temp Rise @ FL	60 ° C			
Duty	CONT			
Ambient	40 ° C			
Elevation	1,000 feet			
Rotor/Shaft wk ²	0.14 Lb-Ft ²			
Ref Wdg	ZT4118 R9			
Sound Pressure @ 1M	62 dBA			
VFD Rating	CONSTANT 20:1			
Outline Dwg	A-104962-956			
Conn. Diag	A-EE7308			
Additional Specifications:				
0				
365THFS8036				
EQUIV CKT (OHMS / PHASE)				
R1	R2	X1	X2	Xm
4.2460	3.3370	6.0070	5.8790	161.8800

