

PRODUCT INFORMATION PACKET

Model No: 056E17F2015

Catalog No: Z671

Replaced by 109106.00 once inventory depleted - 2,1800,TEFC,S56C,DC-24
Low Voltage Motors



Regal and Marathon are trademarks of Regal Rexnord Corporation or one of its affiliated companies.
©2021 Regal Rexnord Corporation, All Rights Reserved. MC017097E



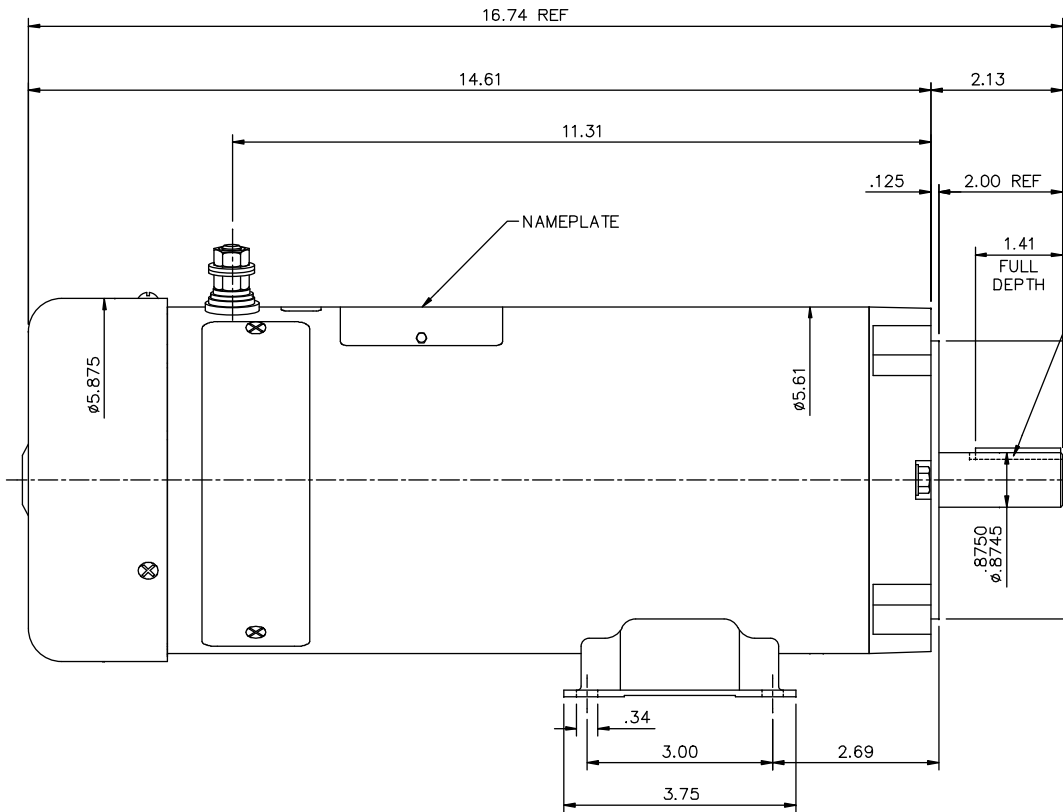
Nameplate Specifications

Output HP	2 Hp	Output KW	1.5 kW
Voltage	24 V	Current	70.0 A
Speed	1800 rpm	Service Factor	1
Efficiency	85.8 %	Duty	Continuous
Insulation Class	F	Frame	S56CZ
Enclosure	Totally Enclosed Fan Cooled	Thermal Protection	No
Ambient Temperature	40 °C	Drive End Bearing Size	6205
Opp Drive End Bearing Size	6203	UL	Recognized
CSA	Y	CE	N
Number of Speeds	1		

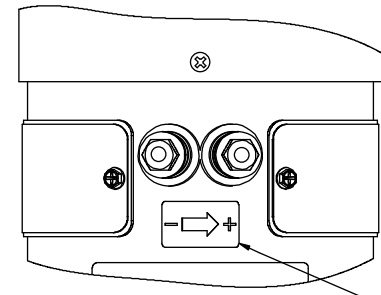
Technical Specifications

Rotation	Reversible	Mounting	Rigid C base
Overall Length	16.74 in	Frame Length	11.50 in
Shaft Diameter	0.875 in	Shaft Extension	2 in
Torque	70 LB-IN		
Connection Drawing	00531901	Outline Drawing	612-0139-000

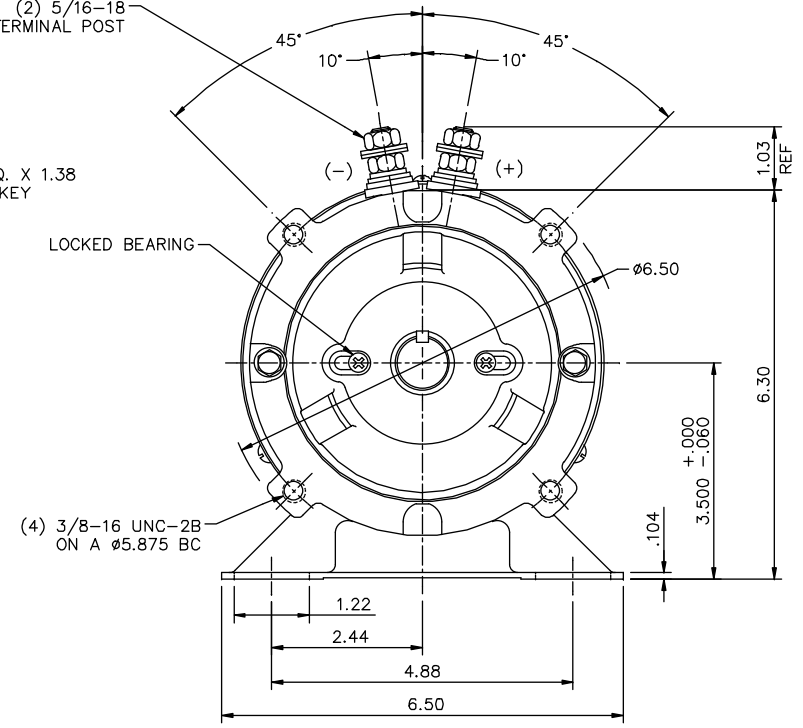
This is an uncontrolled document once printed or downloaded and is subject to change without notice. Date Created:10/11/2021



(2) 5/16-18
TERMINAL POST



ROTATION
DECAL

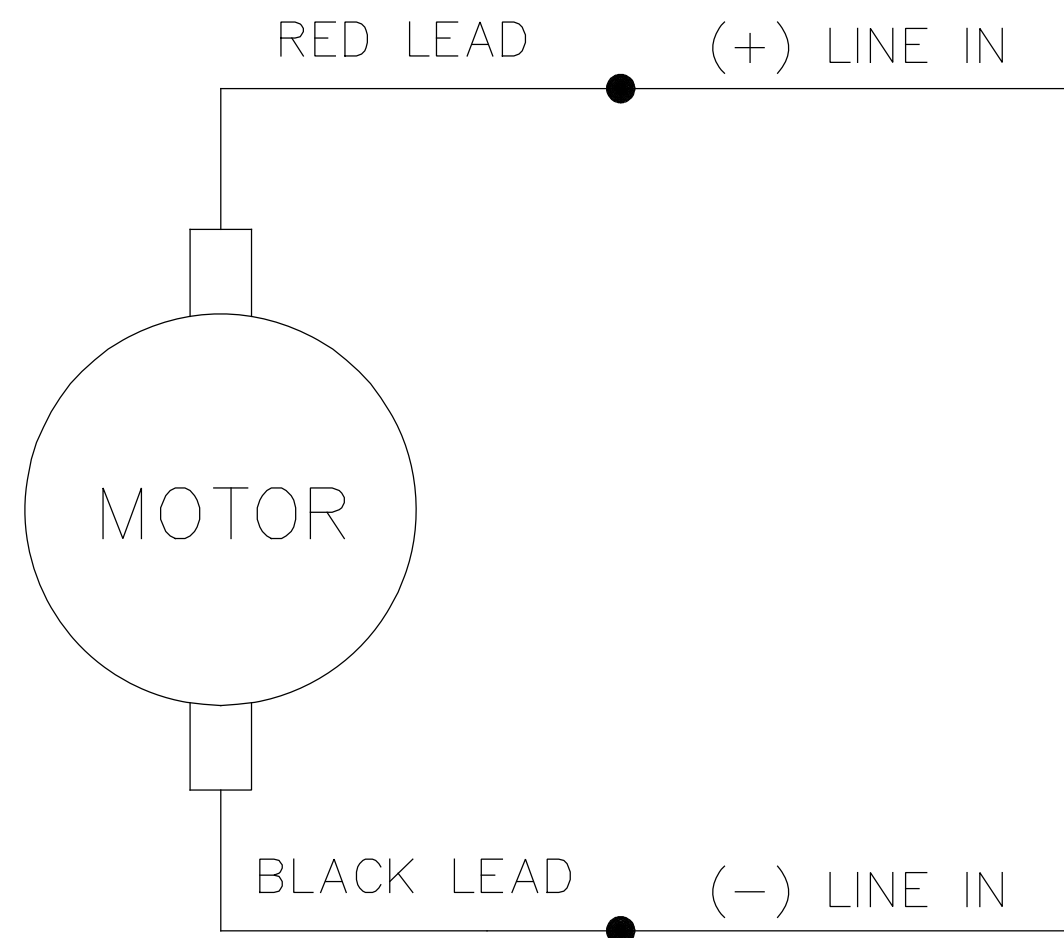


LOCKED BEARING

(4) 3/8-16 UNC-2B
ON A Ø5.875 BC

- NOTES:
1. MAXIMUM FACE RUNOUT TO BE .004 T.I.R.
 2. MAXIMUM PILOT ECCENTRICITY .004 T.I.R.
 3. PERMISSIBLE SHAFT RUNOUT .002 T.I.R.
 4. GASKETS THROUGHOUT.

		TOLERANCES UNLESS SPECIFIED		MARATHON ELECTRIC	DRAWN IPG 11/1/13
		DEC.	INCHES		
		.X	±.1		APPD
		.XX	±.03	TITLE	SCALE 1=2
		.XXX	±.005	OUTLINE - 48 FRAME DC	REF 031819
		.XXXX	±.0005	S56C - 145TC MOUNTING - TURBO	FMF 056E17F2015
00	RELEASED	IPG	11/1/13	MAT'L.	PREV
NO.	REVISION	BY & DATE	CHK	ANG	FINISH
THIS DRAWING IN DESIGN AND DETAIL IS OUR PROPERTY AND MUST NOT BE USED EXCEPT IN CONNECTION WITH OUR WORK ALL RIGHTS OF DESIGN AND INVENTION ARE RESERVED THIS IS AN ELECTRONICALLY GENERATED DOCUMENT - DO NOT SCALE THIS PRINT				RFP	CAD FILE 612-0139
				DIST	SIZE B
				DRAWING NO. 612-0139	
				REV. 00	



CONNECTIONS SHOWN FOR CCW ROTATION FACING LEAD END OF THE MOTOR
 TO REVERSE ROTATION INTERCHANGE LINE LEADS

NO.	REVISION	BY & DATE	CHK	TOLERANCES UNLESS SPECIFIED		LEESON	ELECTRIC MOTORS GEARMOTORS AND DRIVES	DRAWN TJF 11/15/97	
				DEC.	INCHES				CHK
				.X	±.1			APPD POW 11/15/97	
E	"MOTOR" WAS "ARMATURE", ECO-0163602	IPG 3/14/19		.XX	±.01	TITLE	EXTERNAL WIRING DIAGRAM PMDC MOTOR	SCALE 1=2	
D	UPDATED TO MAKE IT GENERIC, ECO-0163547	IPG 3/13/19		.XXX	±.005			REF	
01	REDRAWN ON CAD. REVISED NOTES.	SJB 9/20/2005		.XXXX	±.0005	MAT'L.		FMF	
				ANG	±1/2°	FINISH		PREV	
THIS DRAWING IN DESIGN AND DETAIL IS OUR PROPERTY AND MUST NOT BE USED EXCEPT IN CONNECTION WITH OUR WORK ALL RIGHTS OF DESIGN AND INVENTION ARE RESERVED THIS IS AN ELECTRONICALLY GENERATED DOCUMENT - DO NOT SCALE THIS PRINT				RFP	CAD FILE 00531901		SIZE A	DRAWING NO. 005319.01	REV. E
				DIST					