

PRODUCT INFORMATION PACKET

Model No: 048A11O1461
Catalog No: X431
1/2, 1075, OPEN, 48Z, 1/60/208-230/460
Condenser Fans



Regal and Marathon are trademarks of Regal Beloit Corporation or one of its affiliated companies.
©2018 Regal Beloit Corporation, All Rights Reserved. MC017097E





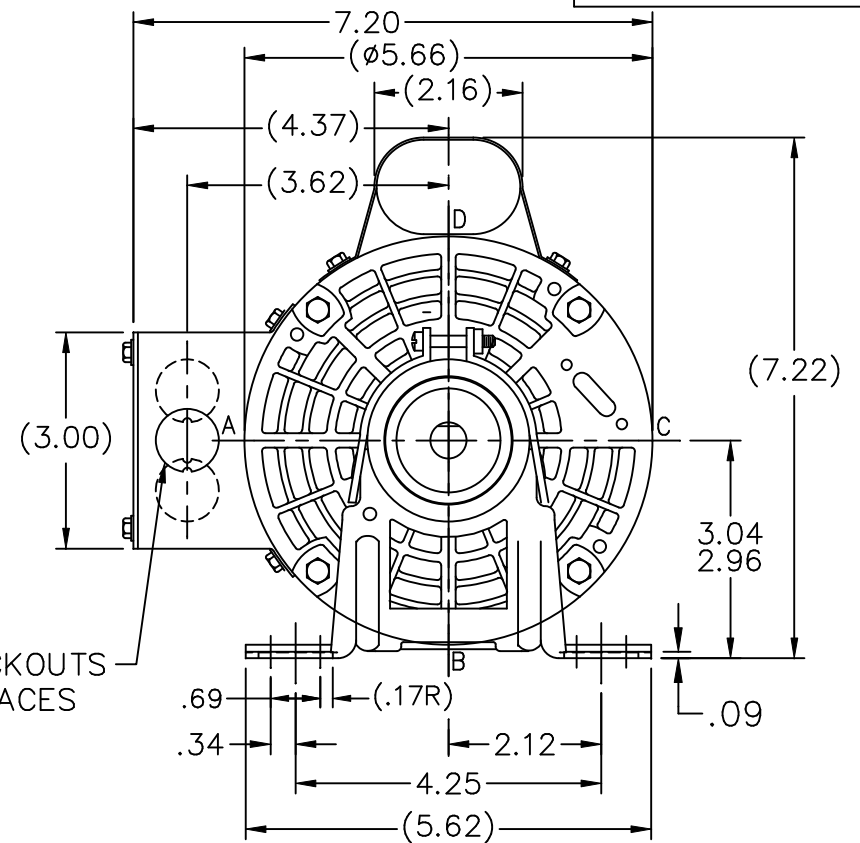
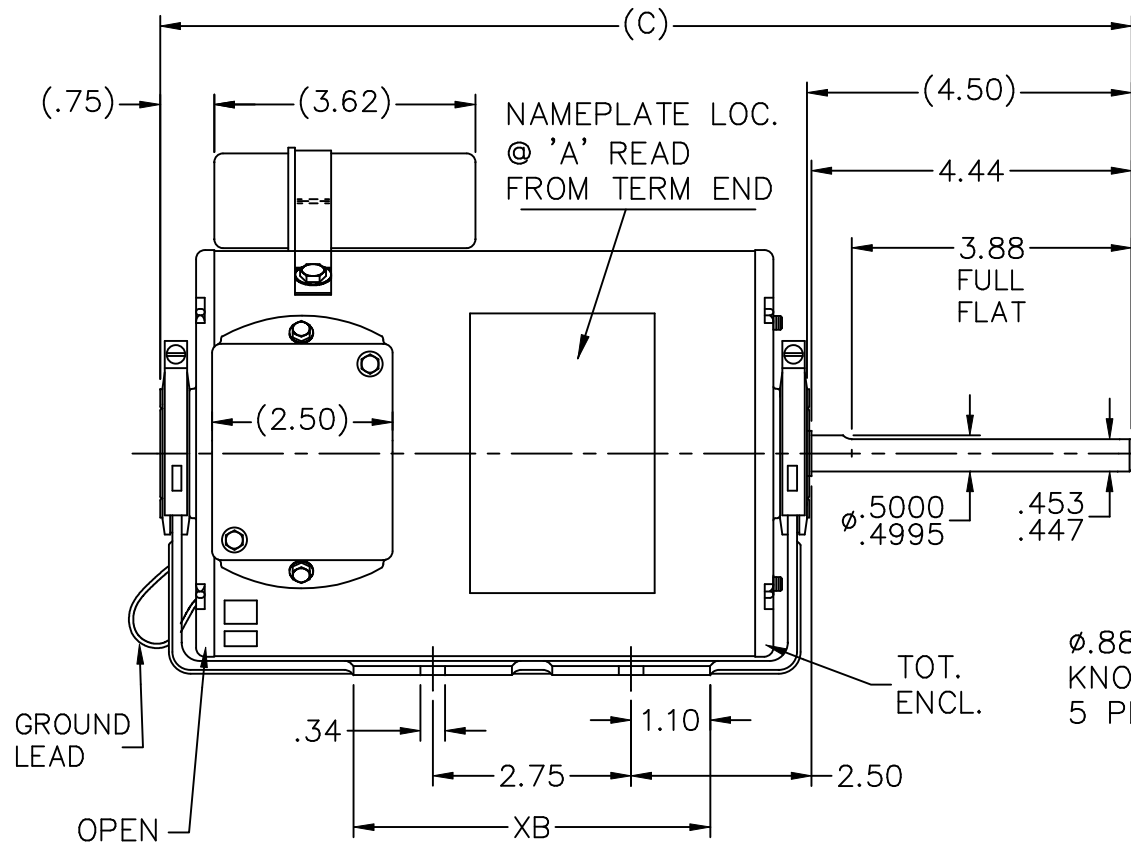
Nameplate Specifications

Output HP	0.50 Hp	Output KW	0.37 kW
Frequency	60 Hz	Voltage	208-230/460 V
Current	3.0/1.5 A	Speed	1075 rpm
Service Factor	1	Phase	1
Efficiency	69.3 %	Duty	Continuous
Insulation Class	B	Design Code	NO DESIGN CODE
KVA Code	C	Frame	48Z
Enclosure	Open Air Over	Overload Protector	Auto Lock Rotor Only
Ambient Temperature	40 °C	Drive End Bearing Size	6203
Opp Drive End Bearing Size	6203	UL	Recognized
CSA	Y	CE	N
IP Code	10		

Technical Specifications

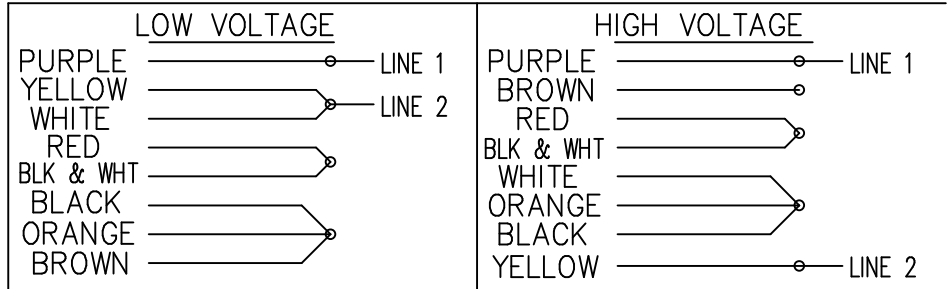
Electrical Type	Permanent Split Capacitor	Starting Method	Across The Line
Poles	6	Rotation	Selective Counterclockwise
Mounting	Resilient Base	Motor Orientation	Horizontal
Drive End Bearing	Ball	Opp Drive End Bearing	Ball
Frame Material	Rolled Steel	Shaft Type	Single Special Extension
Overall Length	11.44 in	Frame Length	5.50 in
Shaft Diameter	0.500 in	Shaft Extension	4.5 in
Assembly/Box Mounting	F1 Only		
Outline Drawing	A-SS75103-550	Connection Diagram	9580283

This is an uncontrolled document once printed or downloaded and is subject to change without notice. Date Created: 07/02/2018



DASH	C	XB
550	11.44	4.94

NOTE:
C.C.W. ROTATION SHOWN.
TO REVERSE INTERCHANGE
RED & BLACK LEADS.



NO.	REVISION	BY & DATE	CHK	TOLERANCES UNLESS SPECIFIED	
				ANG	INCHES
5	UPDATED DRAWING	TJW 04/13/2007	DEC.		
4	REDRAWN IN AUTOCAD	TAT 08-03-2004	ML	.X	±.1
3	REVISED CONNECTION DIAGRAM CN 24777	MJD 11-13-1997		.XX	±.03
2	BASE HOLE TO SHAFT STEP WAS 2.25 CN 23975-121	MH 08-11-1997		.XXX	±.005
1	NEW DRAWING 376318	SMC 12-17-1990		.XXXX	±.0005
				ANG	±7'30"

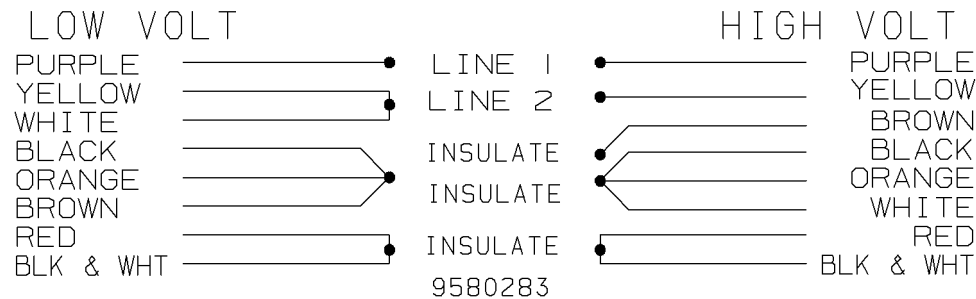
	DRAWN SMC 12-17-1990	
	CHK ML 12-19-1990	
	APPD MTB 12-20-1990	
	SCALE 3=8	
TITLE OUTLINE		REF
MAT'L.		FMF
FINISH		PREV
RFP	CAD FILE ss75103	SIZE A
DIST WP		DRAWING NO. SS75103
		PAGE OF
		REV. 5


```
ERROR: undefined  
OFFENDING COMMAND: 1o
```

```
STACK:
```

```
/terminate  
/suspend  
-dictionary-  
/pscript_WinNT_Compact  
-dictionary-
```

CCW ROTATION OPP. SHAFT END SHOWN. TO REVERSE, IN EITHER VOLTAGE, INTERCHANGE RED WITH BLACK LEADS.



				✓ MAX. SURFACE ROUGHNESS UNLESS NOTED OTHERWISE	UNLESS OTHERWISE SPECIFIED DIMENSIONS ARE IN INCHES TOL. ON XX± XXX±.005 XXXX±.0005 ANGLES±			
				MATL SPEC		DRAWN BY MJD	11-11-1997	
				FINISH		CHKD BY ML	11-13-1997	
					WAUSAU, WISCONSIN 54401	APPD BY TOM	11-13-1997	
REV	DATE	CHANGE	NAME	PART NAME CONNECTION DIAGRAM INSERT			DRWG NO A- 9580283	
				SHOP BOOK	PURCHASED	DISTRIBUTION - WA - LB - WP - LM - YK	CADD FILE NO.	9580283

