

PRODUCT INFORMATION PACKET

Model No: 048A11O1755
Catalog No: X004
1/2,1075,OPEN,48Y,1/60/115
Direct Drive



Regal and Marathon are trademarks of Regal Beloit Corporation or one of its affiliated companies.
©2018 Regal Beloit Corporation, All Rights Reserved. MC017097E





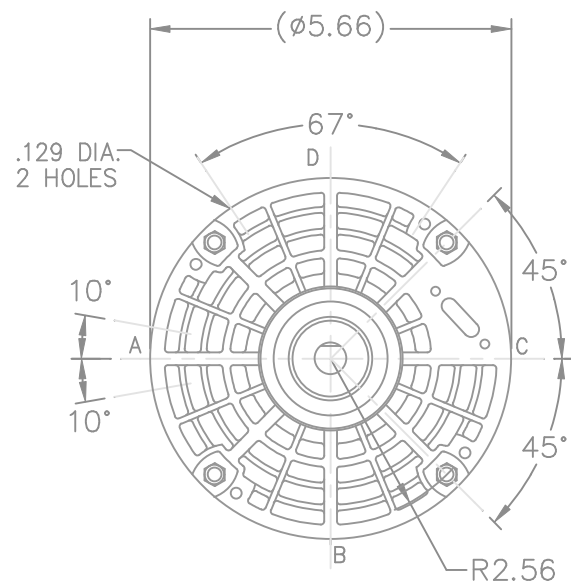
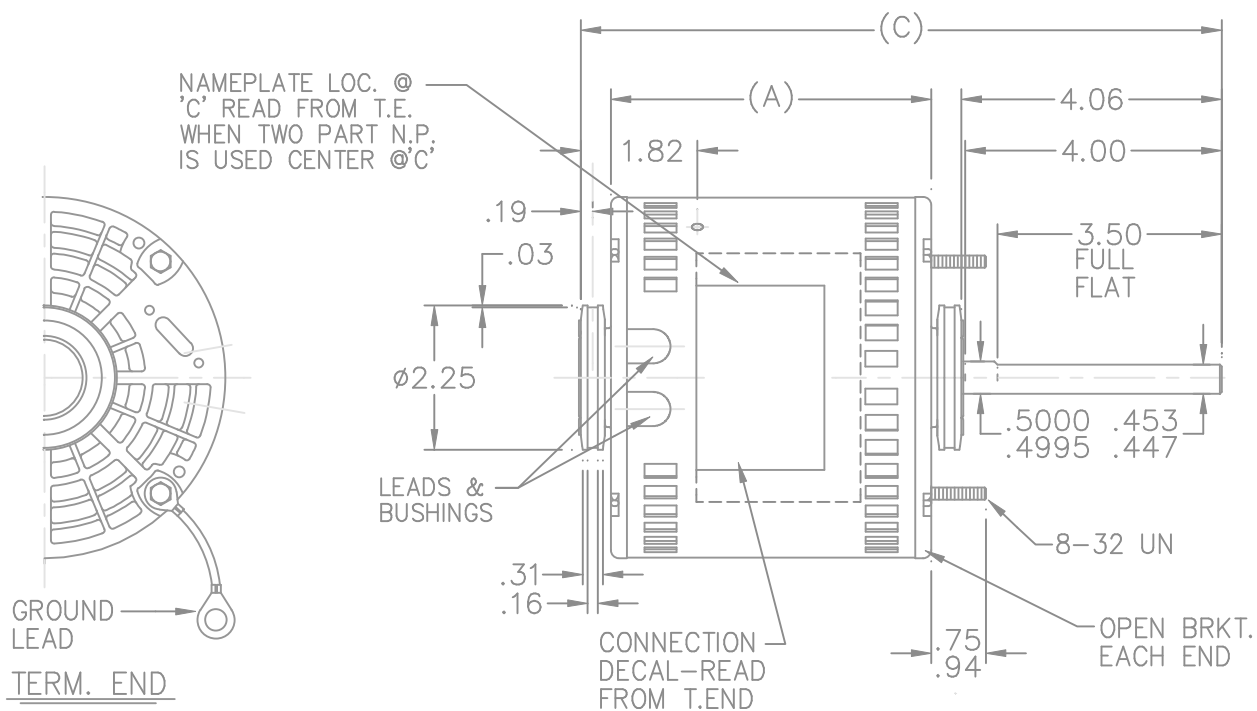
Nameplate Specifications

Output HP	0.50 Hp	Output KW	0.37 kW
Frequency	60 Hz	Voltage	115 V
Current	6.2 A	Speed	1075 rpm
Service Factor	1.15	Phase	1
Efficiency	61.6 %	Duty	Continous
Insulation Class	B	Design Code	NO DESIGN CODE
KVA Code	C	Frame	48Y
Enclosure	Open Air Over	Overload Protector	Auto Lock Rotor Only
Ambient Temperature	40 °C	Drive End Bearing Size	6203
Opp Drive End Bearing Size	6203	UL	Recognized
CSA	Y	CE	N
IP Code	10		

Technical Specifications

Electrical Type	Permanent Split Capacitor	Starting Method	Across The Line
Poles	6	Rotation	Selective Counterclockwise
Mounting	Resilient Ring - Extended Studs	Motor Orientation	Horizontal
Drive End Bearing	Ball	Opp Drive End Bearing	Ball
Frame Material	Rolled Steel	Shaft Type	Single Special Extension
Overall Length	10.25 in	Frame Length	4.75 in
Shaft Diameter	0.500 in	Shaft Extension	4.06 in
Assembly/Box Mounting	F1 Only		
Outline Drawing	A-SS403409-475	Connection Diagram	6906493

This is an uncontrolled document once printed or downloaded and is subject to change without notice. Date Created: 06/29/2018



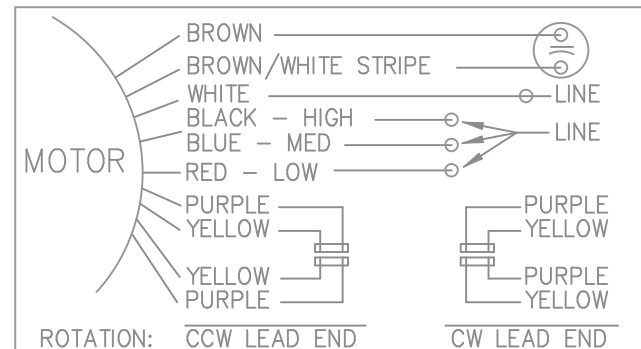
LEAD DESCRIPTION:

1 WHITE, 1 BLACK, 1 BLUE, & 1 RED, LEAD WITH .50 BARE WIRE STRIP. 30.00" LONG

2 BROWN LEADS WITH .25 FLAG-TYPE QUICK CONNECTS 30.00" LONG. BROWN/ WHITE MARKED LEAD IS COMMON TO WHITE.

REVERSING LEADS ARE MOLDED INTO MATING PULL-APART PLUGS. 1 YELLOW & 1 PURPLE LEAD PER PLUG. 5.00" LONG.

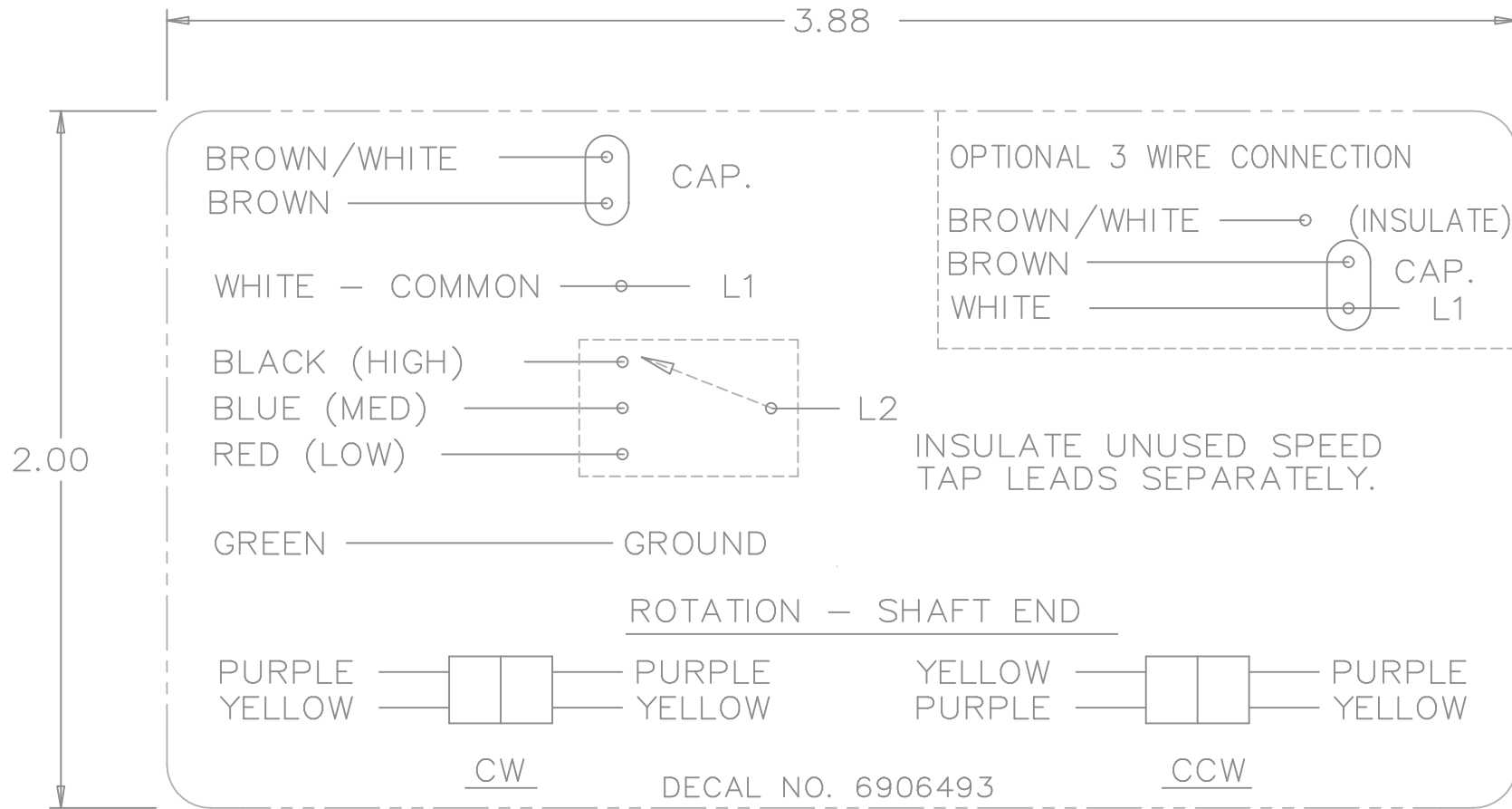
GREEN GROUND LEAD WITH TERM. FOR #10 SCREW 12.00" LONG.



DASH	C	A
375	9.25	4.25
400	9.50	4.50
425	9.75	4.75
475	10.25	5.25
488	10.38	5.38
500	10.50	5.50

9/20/08
9/20/08
9/20/08
9/20/08

				TOLERANCES UNLESS SPECIFIED			DRAWN HLB 05-13-2004				
				DEC.	INCHES		CHK ML 05-13-2004				
				.X	±.1		APPD MJS 05-14-2004				
				.XX	±.02		SCALE 3=9				
				.XXX	±.005		REF				
				.XXX	±.0005	TITLE	OUTLINE				
				.XXXX	±.0005	MAT'L.					
NO.	REVISION	BY & DATE	CHK	ANG	±7'30"	FINISH					
THIS DRAWING IN DESIGN AND DETAIL IS OUR PROPERTY AND MUST NOT BE USED EXCEPT IN CONNECTION WITH OUR WORK ALL RIGHTS OF DESIGN AND INVENTION ARE RESERVED THIS IS AN ELECTRONICALLY GENERATED DOCUMENT - DO NOT SCALE THIS PRINT				RFP	05-14-2004	CAD FILE	ss403409	SIZE	DRAWING NO.	PAGE 1 OF 1	REV.
				DIST	WP			A	SS403409		



				TOLERANCES UNLESS SPECIFIED		REGAL-BELOIT <i>Motor Technologies</i>	DRAWN MRB 04-16-1998				
				DEC.	INCHES		CHK	ML	04-22-1998		
				.X	±.1		APPD	GK	04-22-1998		
3	REMOVED 'MARATHON ELECTRIC' CN 35106	DRS 05-01-2002	TOM	.XX	±	TITLE CONNECTION DECAL	SCALE	1=1			
2	PART NAME WAS CONNECTION DIAGRAM CN 25669	MRB 04-25-1998		.XXX	±.005		REF				
1	NEW DRAWING CN 25669	MRB 04-22-1998		.XXXX	±.0005	MAT'L.	FMF				
NO.	REVISION	BY & DATE	CHK	ANG	±	FINISH	PREV				
THIS DRAWING IN DESIGN AND DETAIL IS OUR PROPERTY AND MUST NOT BE USED EXCEPT IN CONNECTION WITH OUR WORK ALL RIGHTS OF DESIGN AND INVENTION ARE RESERVED THIS IS AN ELECTRONICALLY GENERATED DOCUMENT - DO NOT SCALE THIS PRINT				RFP	CAD FILE 6906493		SIZE	DRAWING NO.	PAGE	OF	REV.
				DIST	WP		A	6906493			3

CERTIFICATION DATA SHEET

Model#: 48A11O1755 B WINDING#: PE4861843 NONE 1
 CONN. DIAGRAM: 6906493 ASSEMBLY: F1 ONLY
 OUTLINE: A-SS403409-475

TYPICAL MOTOR PERFORMANCE DATA

HP	KW	SYNC. RPM	F.L. RPM	FRAME	ENCLOSURE	KVA CODE	DESIGN
1/2	.37	1200	1075	48Y	OPAO	C	NO DESIGN CODE

PH	Hz	VOLTS	FL AMPS	START TYPE	DUTY	INSL	S.F	AMB°C	ELEVATION
1	60	115	6.2	ACROSS THE LINE	CONTINUOUS	B3	1.15	40	3300

FULL LOAD EFF: 61.6	3/4 LOAD EFF: -	1/2 LOAD EFF: -	GTD. EFF	ELEC. TYPE	NO LOAD AMPS
			-	PSC 3 SPEED	3.1

F.L. TORQUE	LOCKED ROTOR AMPS	L.R. TORQUE	B.D. TORQUE	F.L. RISE°C
37.1 LB-FT	16.9	9 LB-FT -	58.9 LB-FT -	-

SOUND PRESSURE @ 3 FT.	SOUND POWER	ROTOR WK^2	MAX. WK^2	SAFE STALL TIME	STARTS /HOUR	APPROX. MOTOR WGT
- dBA	- dBA	- LB-FT^2	- LB-FT^2	- SEC.	-	- LBS.

*** SUPPLEMENTAL INFORMATION ***

DE BRACKET TYPE	ODE BRACKET TYPE	MOUNT TYPE	ORIENTATION	SEVERE DUTY	HAZARDOUS LOCATION	DRIP COVER	SCREENS	PAINT
STANDARD	STANDARD	RESILIENT RING- EXTENDED STUDS	HORIZONTAL	FALSE	NONE	FALSE	NONE	GRAY (POWDER)

BEARINGS		GREASE	SHAFT TYPE	SPECIAL DE	SPECIAL ODE	SHAFT MATERIAL	FRAME MATERIAL
DE	OPE						
BALL	BALL	BEACON 325	SGL SPL EXT	0.500 x 4.00 IN SEF WITH 3.50 IN FULL FLAT	NONE	1144 STRESSPROOF (C-223)	ROLLED STEEL
6203	6203						

THERMO-PROTECTORS				THERMISTORS	CONTROL	SPACE /n HEATERS
THERMOSTATS	PROTECTORS	WDG RTDs	BRG RTDs			
NONE	AUT LCK RTR ONLY	NONE	NONE	NONE	FALSE	NONE VOLTS

If Inverter equals NONE, contact factory for further information

INVERTER TORQUE: NONE
INV. HP SPEED RANGE: NONE
ENCODER: NONE
NONE NONE
NONE NONE PPR
BRAKE: NONE NONE
NONE P/N NONE
NONE NONE
NONE FT-LB NONE V NONE Hz

*
N
O
T
E
S
*

** Subject to change without notice.